

MATERIALS AND FINISHES

BODY ZINC ALLOY  
PLATED NICKEL

CENTER CONTACT PHOSPHOR BRONZE  
PLATED GOLD

INSULATOR POLYPROPYLENE (94 V-2)

HOUSING VALOX 420-SEO  
COLOR BLACK

SOLDER TAIL COPPER OVER STEEL WIRE  
PLATED TIN

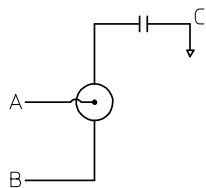
FRONT CLIP PHOSPHOR BRONZE  
PLATED NICKEL

CHIP CAPACITOR MULTILAYER CERAMIC

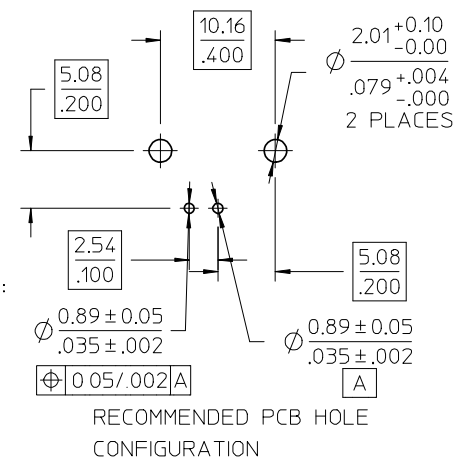
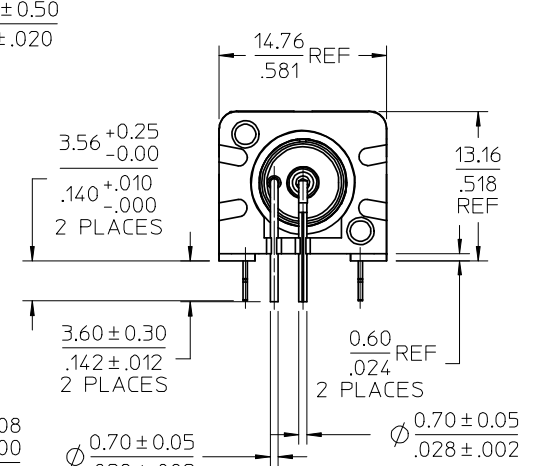
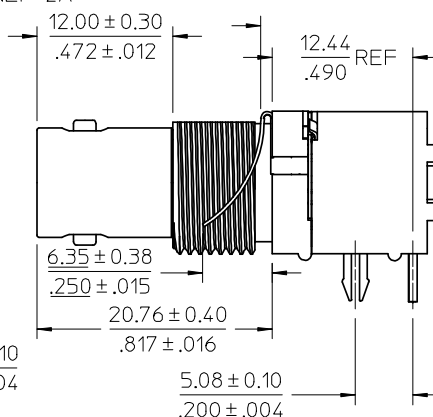
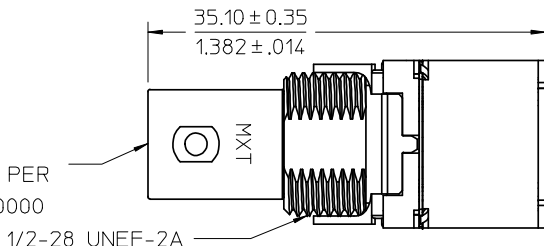
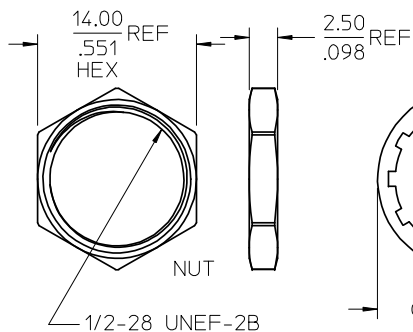
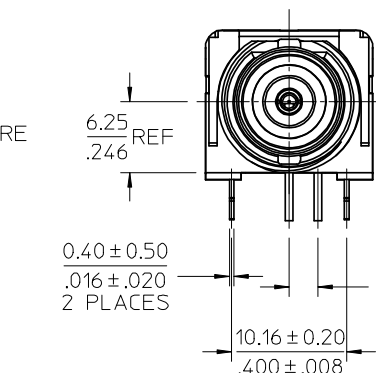
BOARD CLIP PHOSPHOR BRONZE  
(C52100, GRADE H10)  
PLATED TIN

LOCKWASHER PHOSPHOR BRONZE  
PLATED NICKEL

JAM NUT BRASS  
PLATED NICKEL



SCHEMATIC  
9400 ±20% PF, 1.5 KV W V<sub>dc</sub>



RECOMMENDED MOUNTING HOLE  
RECOMMENDED MOUNTING TORQUE:  
0.56 N-m(5.00 IN-LBS)  
PANEL THICKNESS: 5.5 (.217) MAX

PS-73598-0010	ELECTRO/MECH PERFORM.
SPECIFICATION	DESCRIPTION

73171-3090	73100-0223, ONE PER BAG
73100-0223	TRAY
PART NO.	PACKAGING

CHG: PANEL THICKNESS .217 WAS 2.17 EC NO: URF2008-0469 DRWIN: WIENER 2008/03/18 CHKD: SHAH 2008/03/18 APPR: WIENER 2008/03/18 B2	QUALITY SYMBOLS ▽=0 ▽=0	GENERAL TOLERANCES (UNLESS SPECIFIED) mm INCH 4 PLACES ± --- ± --- 3 PLACES ± --- ± --- 2 PLACES ± --- ± --- 1 PLACE ± --- ± --- ANGULAR ± 2 °	DIMENSION STYLE MM/IN DRAWN BY IRIS WANG DATE 1995/03/07 CHECKED BY DATE APPROVED BY FIELDS DATE 1995/10/23	SCALE DESIGN UNITS METRIC THIRD ANGLE PROJECTION	TITLE BNC JACK, R/A RECEPTACLE 50 OHMS FILTER BNC-J/PCB/RA/BK MOLEX MOLEX INCORPORATED DOCUMENT NO. SD-73100-0223 SHEET NO. 1 OF 1

