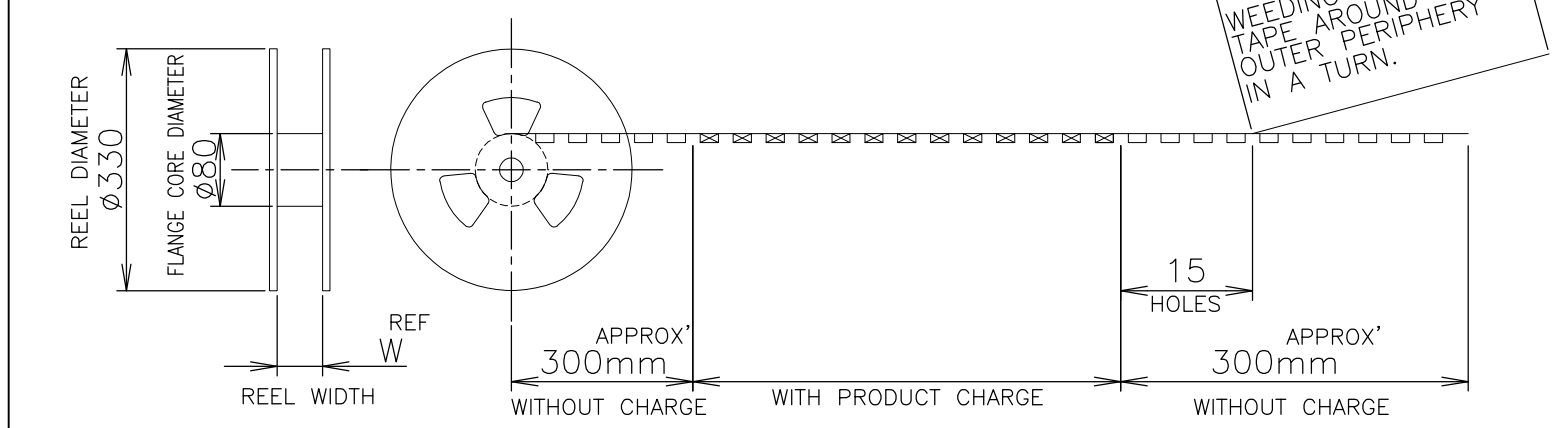
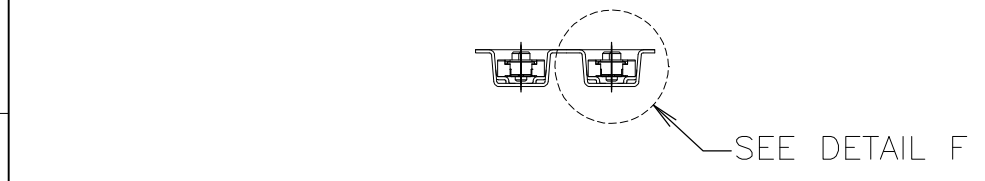
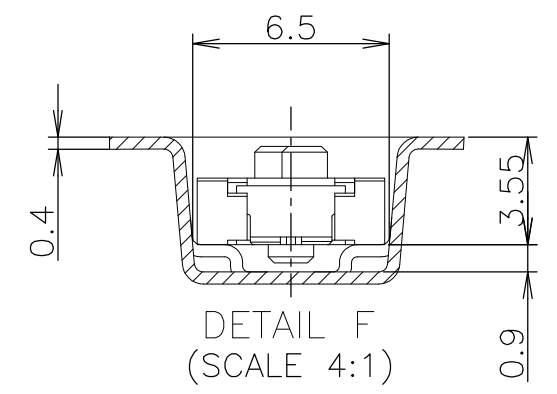
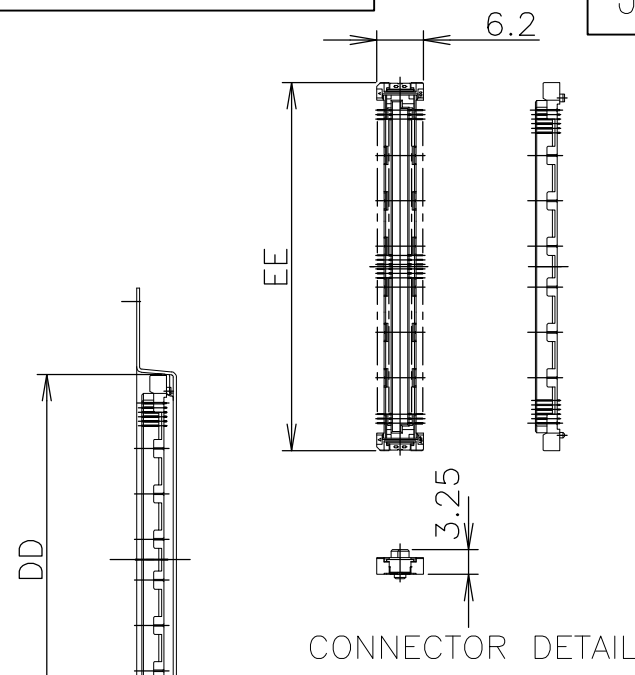
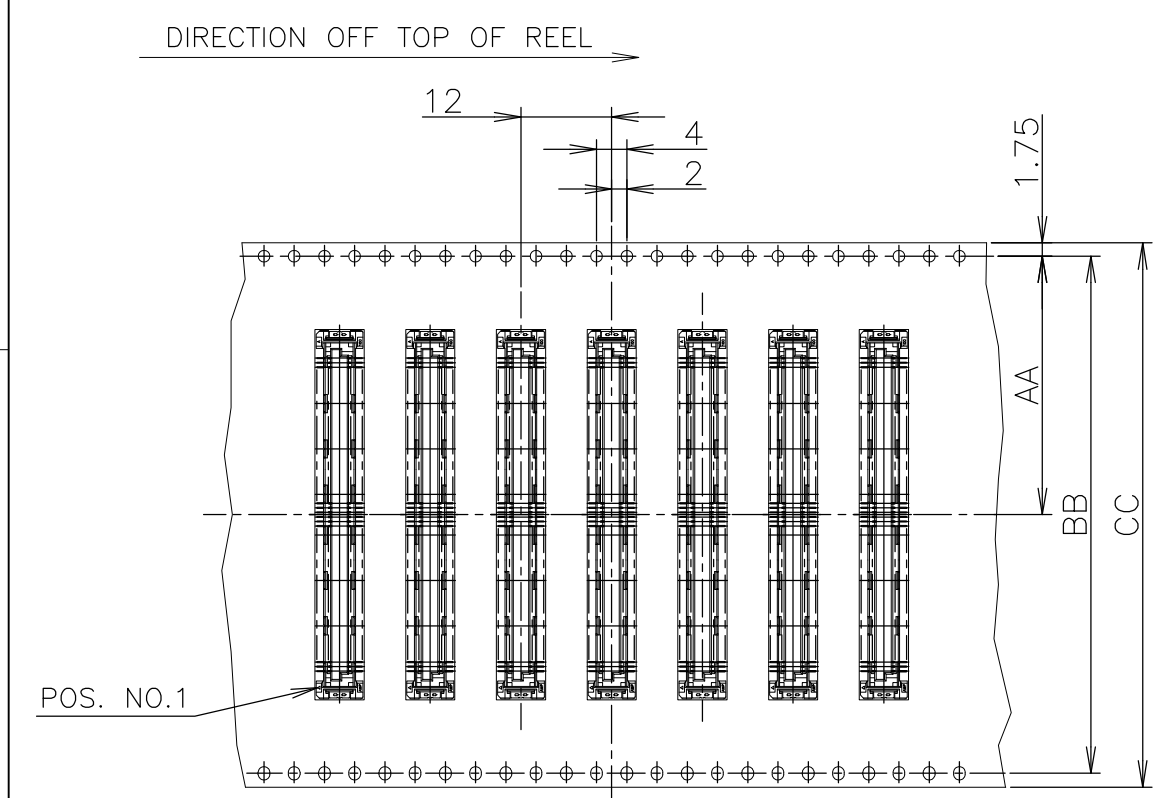


THIS DRAWING IS UNPUBLISHED. RELEASED FOR PUBLICATION JUN , 1996.
 © COPYRIGHT 1996 BY TYCO ELECTRONICS CORPORATION. ALL RIGHTS RESERVED.

LOC	DIST	REVISIONS					
J		P	LTR	DESCRIPTION	DATE	DWN	APVD
		H	REVISED	ECR-08-000333	01FEB08	T.T	T.F



SEALANT	TOOLING STATUS	QTY.	W	EE	DD	CC	BB	AA	POS.	PART NO.
			NOT AVAILABLE	1000	77.5	54.7	55	72	68.4	34.2
▲	AVAILABLE		77.5	48.7	49	72	68.4	34.2	140	6- -0
	NOT AVAILABLE		61.5	42.7	43	56	52.4	26.2	120	5- -9
	AVAILABLE		61.5	36.7	37	56	52.4	26.2	100	5- -8
	NOT AVAILABLE		61.5	33.7	34	56	52.4	26.2	90	5- -7
	AVAILABLE		49.5	30.7	31	44	40.4	20.2	80	5- -6
	AVAILABLE		49.5	27.7	28	44	40.4	20.2	70	5- -5
	NOT AVAILABLE		49.5	24.7	25	44	40.4	20.2	60	5- -4
	NOT AVAILABLE		37.5	21.7	22	32	28.4	14.2	50	5- -3
	AVAILABLE		37.5	18.7	19	32	28.4	14.2	40	5- -2
	NOT AVAILABLE	1000	29.5	15.7	16	24	11.5		30	5-353190-1
	NON SEALANT	1000	77.5	54.7	55	72	68.4	34.2	160	1-353190-1
	AVAILABLE		77.5	48.7	49	72	68.4	34.2	140	1- -0
	NOT AVAILABLE		61.5	42.7	43	56	52.4	26.2	120	-9
	AVAILABLE		61.5	36.7	37	56	52.4	26.2	100	-8
	NOT AVAILABLE		61.5	33.7	34	56	52.4	26.2	90	-7
	AVAILABLE		49.5	30.7	31	44	40.4	20.2	80	-6
	AVAILABLE		49.5	27.7	28	44	40.4	20.2	70	-5
	NOT AVAILABLE		49.5	24.7	25	44	40.4	20.2	60	-4
	NOT AVAILABLE		37.5	21.7	22	32	28.4	14.2	50	-3
	AVAILABLE		37.5	18.7	19	32	28.4	14.2	40	-2
	NOT AVAILABLE	1000	29.5	15.7	16	24	11.5		30	353190-1

THIS DRAWING IS A CONTROLLED DOCUMENT.

DIMENSIONS: 単位: 耗 mm	TOLERANCES UNLESS OTHERWISE SPECIFIED: 一般公差
0 PLC	± 0.2
1 PLC	± 0.2
2 PLC	± 0.2
3 PLC	± 0.2
4 PLC	± 0.2
ANGLES	± 5'
MATERIAL 材料	FINISH 仕上

THIS DRAWING IS A CONTROLLED DOCUMENT.

DWN T.KUSUHARA 06JUN96
 CHK I.ENOMOTO 06JUN96
 APVD Y.YOSHIMURA 06JUN96

Tyco Electronics Tyco Electronics Corporation
 Kawasaki, Japan

EMBOSS ASSY
 FH 0.6BTB CONNECTOR
 REC 4H WITH G-CONTACT

PRODUCT SPEC 108-5468
 APPLICATION SPEC 取付適用規格

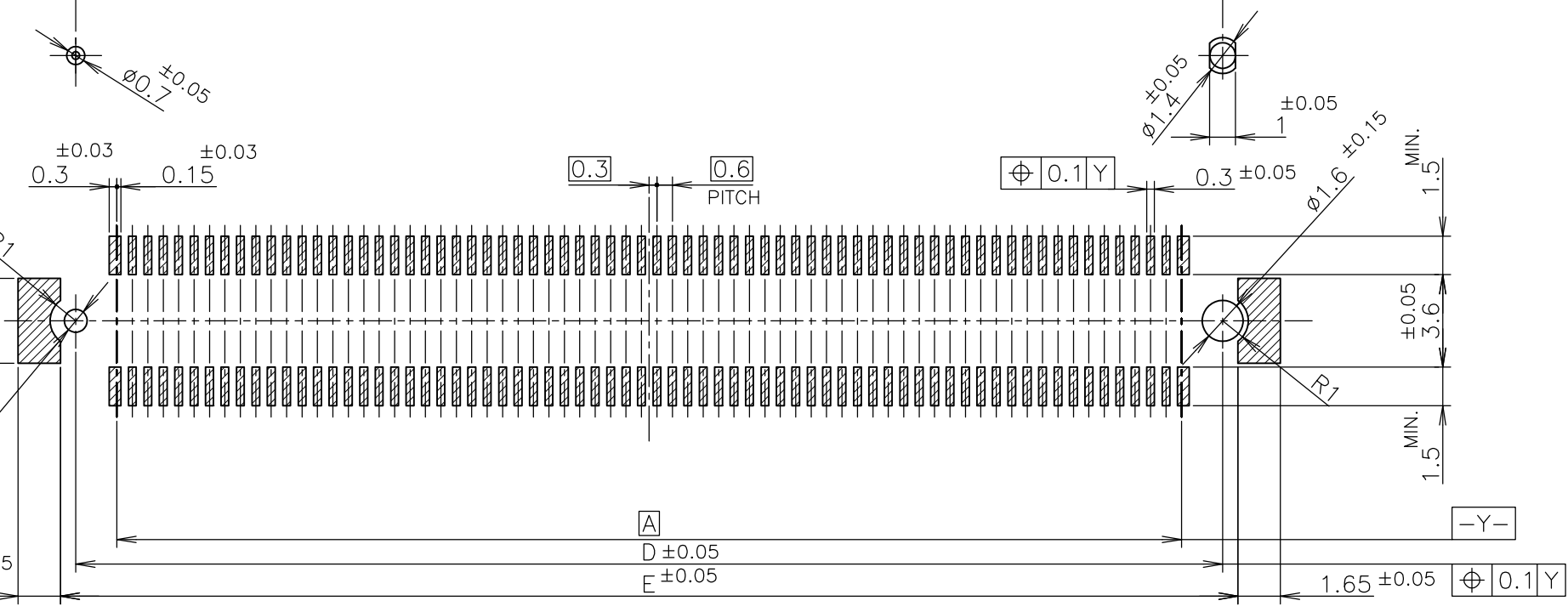
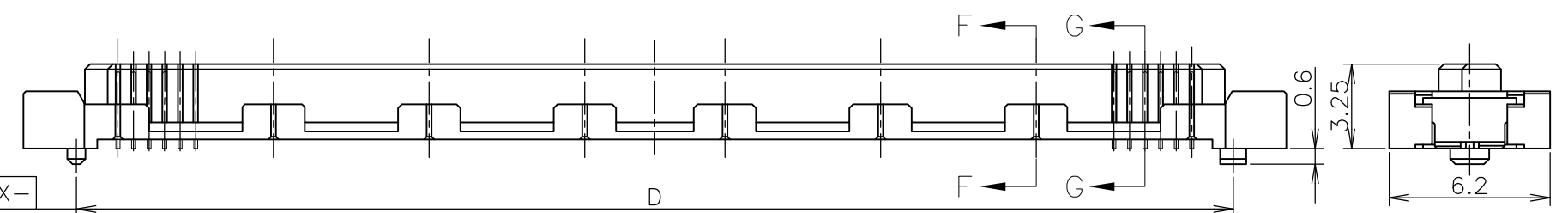
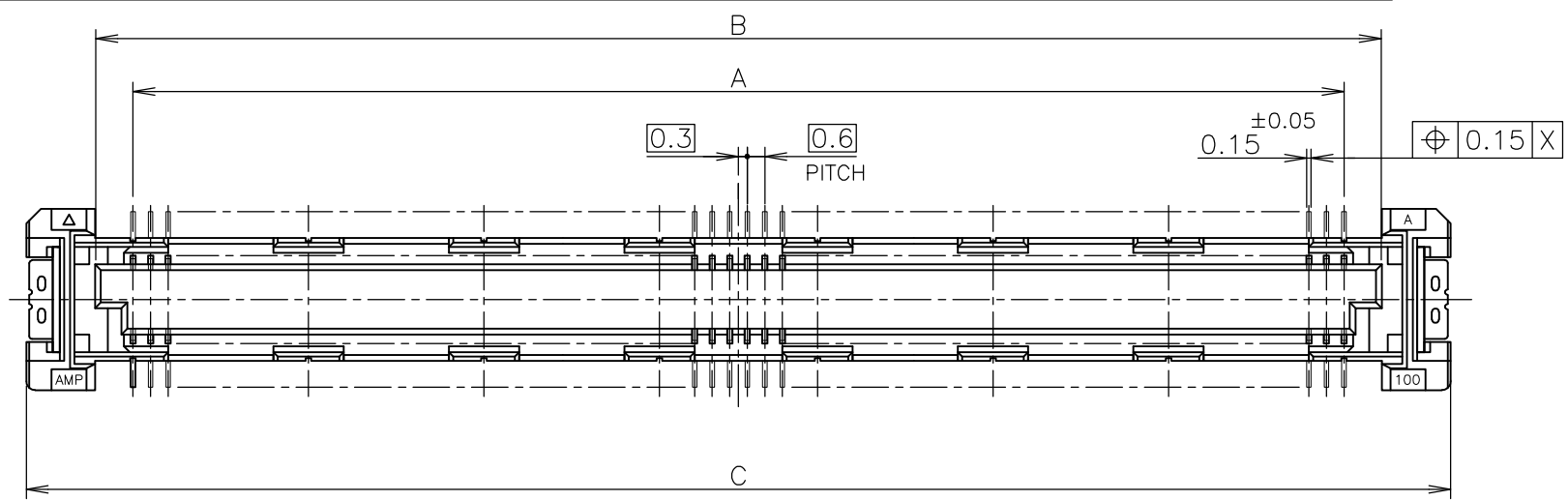
WEIGHT

SIZE A3 CAGE CODE 00779 DRAWING NO. G-353190 RESTRICTED TO 番号

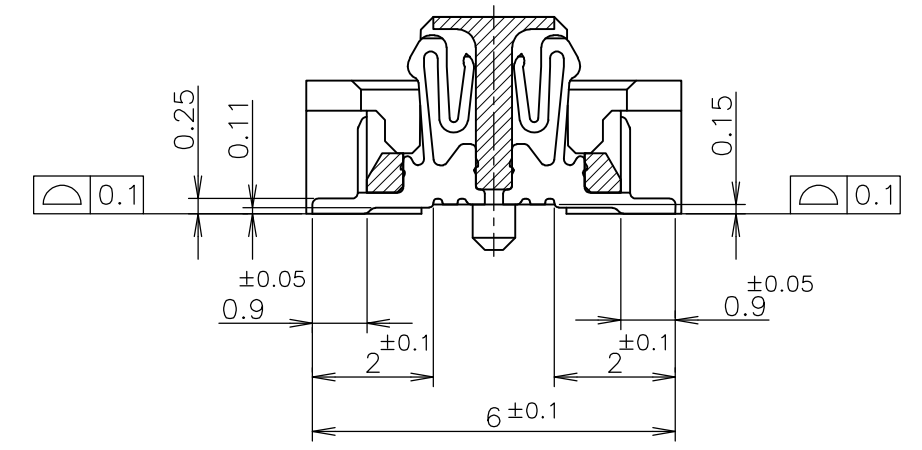
CUSTOMER DRAWING SCALE 1:1 SHEET 1 OF 3 REV H

THIS DRAWING IS UNPUBLISHED. RELEASED FOR PUBLICATION JUN , 1996.
 © COPYRIGHT 1996 BY TYCO ELECTRONICS CORPORATION. ALL RIGHTS RESERVED.

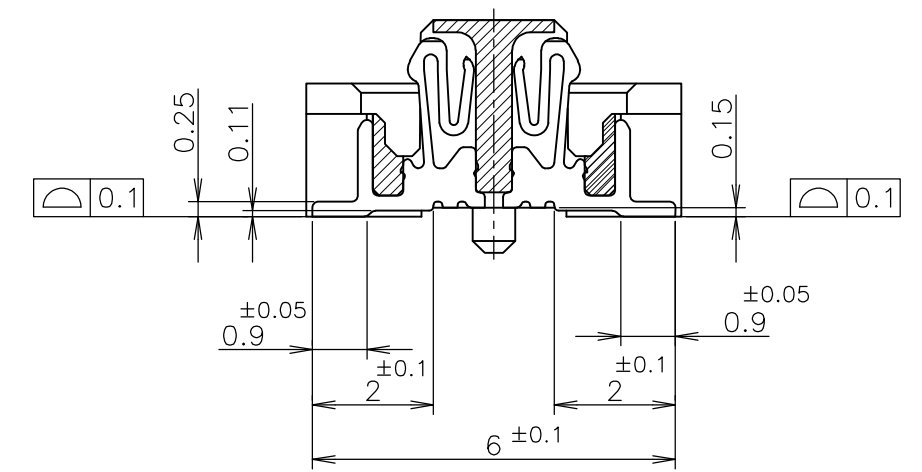
LOC	DIST	REVISIONS					
J		P	LTR	DESCRIPTION	DATE	DWN	APVD
		-		SEE SHEET 1	-	-	-



REFERENCE P.C.BOARD LAYOUT



G-G (SIGNAL POSITION)
SCALE 8:1



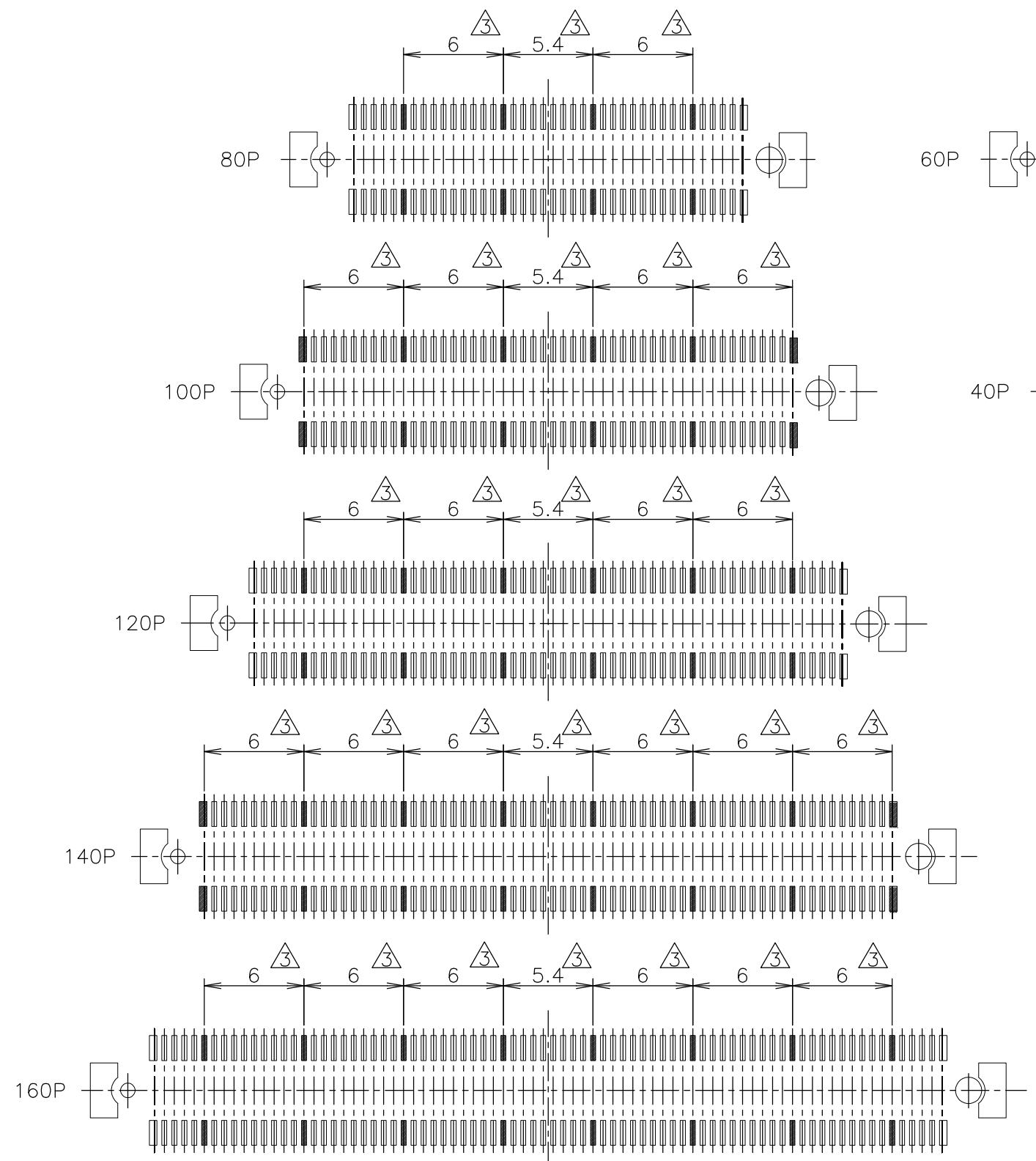
F-F (GROUND POSITION)
SCALE 8:1

AVAILABLE	51.8	50.6	54.7	50	47.4	160
AVAILABLE	45.8	44.6	48.7	44	41.4	140
NOT AVAILABLE	39.8	38.6	42.7	38	35.4	120
AVAILABLE	33.8	32.6	36.7	32	29.4	100
NOT AVAILABLE	30.8	29.6	33.7	29	26.4	90
AVAILABLE	27.8	26.6	30.7	26	23.4	80
	24.8	23.6	27.7	23	20.4	70
	21.8	20.6	24.7	20	17.4	60
	18.8	17.6	21.7	17	14.4	50
AVAILABLE	15.8	14.6	18.7	14	11.4	40
NOT AVAILABLE	12.8	11.6	15.7	11	8.4	30
TOOLING STATUS	E	D	C	B	A	POS

THIS DRAWING IS A CONTROLLED DOCUMENT.		DWN	Tyco Electronics Corporation Kawasaki, Japan	
DIMENSIONS: 単位: 耗 mm		CHK	NAME 名称	
TOLERANCES UNLESS OTHERWISE SPECIFIED: 一般公差		APVD	EMBOSS ASSY FH 0.6BTB CONNECTOR REC 4H WITH G-CONTACT	
0 PLC ± 0.3 1 PLC ± 0.3 2 PLC ± 0.3 3 PLC ± 0.3 4 PLC ± 0.3 ANGLES ± 3'		PRODUCT SPEC 製品規格	SIZE	CAGE CODE
MATERIAL 材料		APPLICATION SPEC 取付適用規格	A3	00779
FINISH 仕上		WEIGHT	DRAWING NO 番号	RESTRICTED TO
			G-353190	
		CUSTOMER DRAWING	SCALE 尺度 4:1	SHEET 2 OF 3
			REV H	

THIS DRAWING IS UNPUBLISHED. RELEASED FOR PUBLICATION JUN , 1996.
 © COPYRIGHT 1996 BY TYCO ELECTRONICS CORPORATION. ALL RIGHTS RESERVED.

LOC	DIST	REVISIONS			DATE	DWN	APVD
J		P	LTR	DESCRIPTION			
				SEE SHEET 1	-	-	-



- ① MATERIAL : HOUSING : HIGH TEMP THERMO PLASTIC, UL94V-0
CONTACT : COPPER ALLOY
- ② FINISH : UNDER PL Ni 0.0013mm MIN ALL OVER.
CONTACT AREA 0.0002mm MIN Au PL.
SOLDERING AREA: SIGNAL POS 0.0005mm MIN Au PL.
GROUND POS 0.001mm MIN Sn-Pb
- ③ THIS POSITION IS GROUND CIRCUIT.
- ④ THIS PRODUCT WAS COATED BY FLUX-PENETRATION
-INHIDING AGENT.

THIS DRAWING IS A CONTROLLED DOCUMENT.		DWN		Tyco Electronics Corporation	
DIMENSIONS: 単位: 耗 mm		CHK		Kawasaki, Japan	
TOLERANCES UNLESS OTHERWISE SPECIFIED: 一般公差		APVD		NAME 名称	
0 PLC ± 0.3		PRODUCT SPEC 製品規格		EMBOSS ASSY	
1 PLC ± 0.3		APPLICATION SPEC 取付適用規格		FH 0.6BTB CONNECTOR	
2 PLC ± 0.3		WEIGHT		REC 4H WITH G-CONTACT	
3 PLC ± 0.3		CUSTOMER DRAWING		SIZE	RESTRICTED TO
4 PLC ± 0.3				A3	
ANGLES ± 3'				CAGE CODE	DRAWING NO
FINISH 仕上				00779	G-353190
				SCALE	SHEET
				3:1	3 OF 3
				REV	H