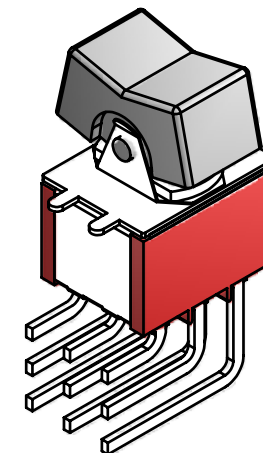
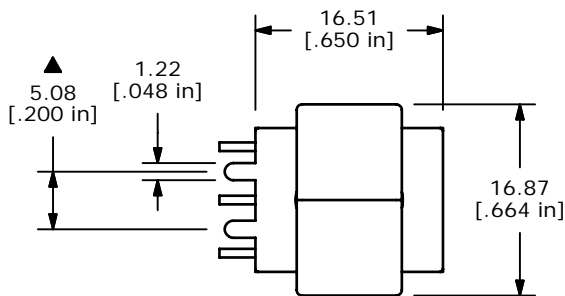
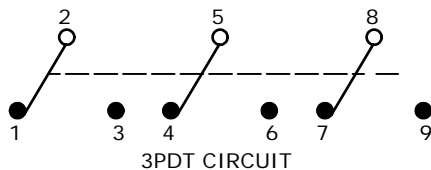


P.C. MOUNTING



ISOMETRIC

SWITCH FUNCTION		
POS. 1	POS. 2	POS. 3
ON	NONE	ON
2-3, 5-6, 8-9	OPEN	2-1, 5-4, 8-7

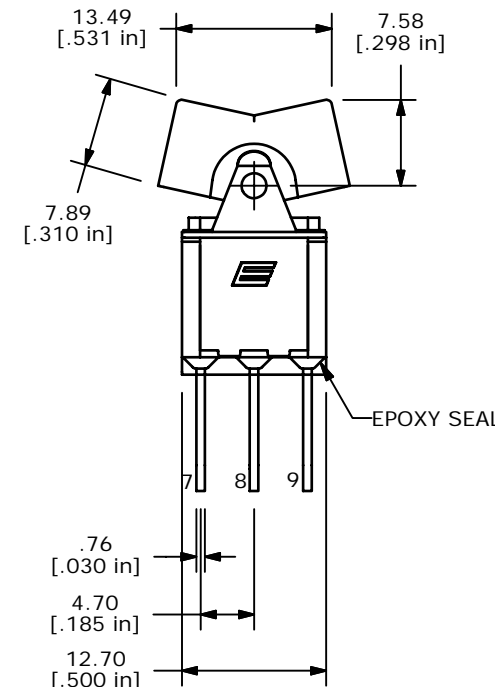
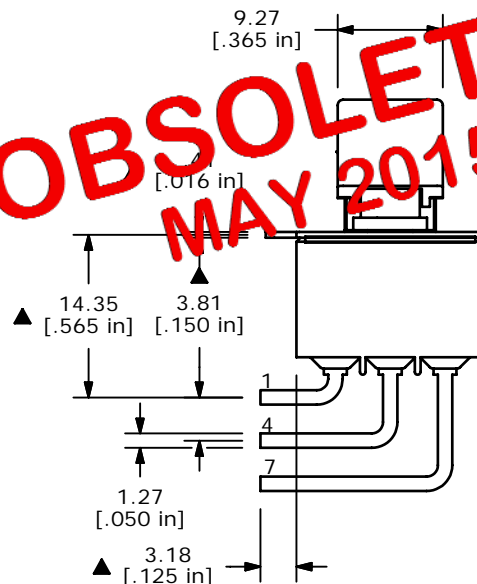


3PDT CIRCUIT

NOTE:

1. ALL DIMENSIONS IN MM [INCH]
2. GENERAL TOLERANCE: X.X=±0.4  
X.XX=±0.25
3. TERMINAL NUMBERS FOR REF ONLY
- ▲ 4. PLATING MATERIAL: SILVER
5. RATING: 2 AMPS @250VAC  
5 AMPS @120VAC OR 28VDC
6. ELECTRIC LIFE: 40,000 MAKE-AND-BREAK CYCLES AT FULL LOAD.
7. INSULATION RESISTANCE: 1,000 MEGA-OHM MIN.
8. CONTACT RESISTANCE: 100mΩ
9. DIELECTRIC STRENGTH: 1,000 V RMS @SEA LEVEL.
10. OPERATING TEMP.: -30°C to 85°C
11. ▲ DENOTES CRITICAL PARAMETER.
12. 2002/95/EC (ROHS) COMPLIANT
13. PACKAGE: TRAY/54 PER

OBSOLETE  
MAY 2015



**E-SWITCH®**

B	16939	TOOK OUT E SWITCH LOGO NOTE	1/30/07	TN
A	16873	RELEASED FOR PRODUCTION	1/17/2007	TN
REV	PCR NO	DESCRIPTION	DATE	BY

TITLE 3003P1J1BLKM6QE				
SCALE	DATE	DR	DWG	REV
1.5	1/30/2007	TN	T331031	B

THE INFORMATION CONTAINED IN THIS DOCUMENT IS PROPRIETARY TO E-SWITCH AND IS NOT TO BE COPIED OR TRANSFERRED