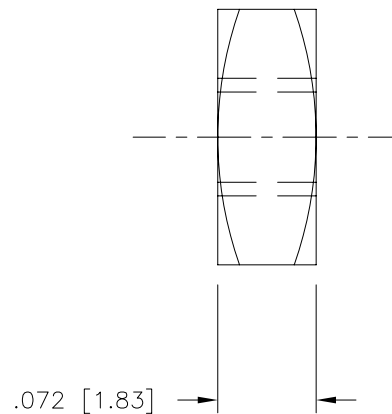
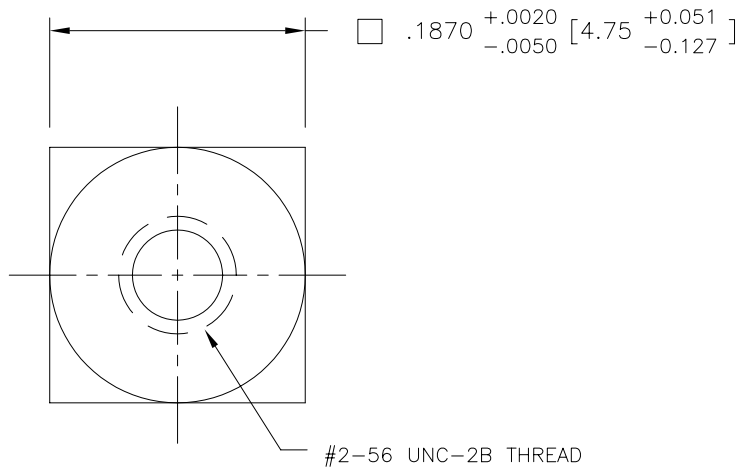


PRODUCT NO.	NOTES
71226-001	-
71226-001LF	NOTE 2



NOTES:

1. MATERIAL: 416 STAINLESS STEEL.
2. THIS PRODUCT MEETS EUROPEAN UNION DIRECTIVES AND OTHER COUNTRY REGULATIONS AS DESCRIBED IN GS-22-008.

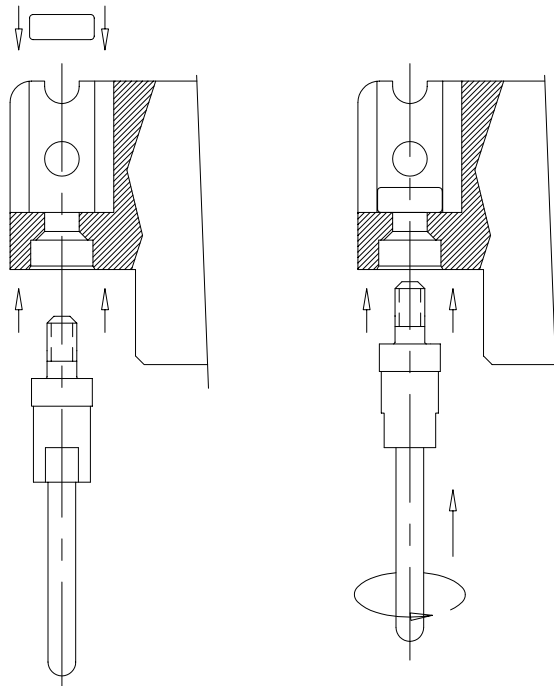
mat'l. code				surface ISO 1302 <input checked="" type="checkbox"/>		tolerance ISO 406 ISO 1101		projection 		product family HPC	
ltr				tolerances unless otherwise specified		INCH/MM		title NUT, SQUARE #2-56			
A	V50947	GAH	8/8/95	angles	.XX±.01/.3		scale 1:1				
B	V60758	SAR	6/18/96	linear	.xxx±.005/.13						
C	V00558	LSS	3/3/00	0°±2'	.xxxx±.0020/.051						
D	V05-0697	DAI	8/18/05	dr	G. HULL	8/8/95					
E	M06-0265	AGS	7/10/06	enr	D. HORCHLER	7/25/95	dwg no		sheet 1 of 2 size		
				chr	D. HORCHLER	8/9/95	71226		A3		
				appd	S. CLARK	8/10/95	type		Product Customer Drawing		
sheet index	revision sheet	E	E								
	1	2									



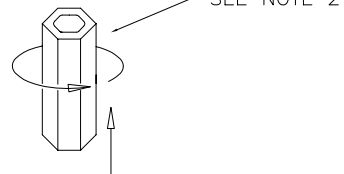
Copyright FCJ

PRODUCT NO.

SEE SHT. 1



UN-ASSEMBLED GUIDE PIN

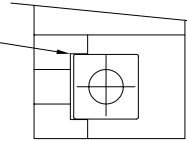


SEE NOTE 2

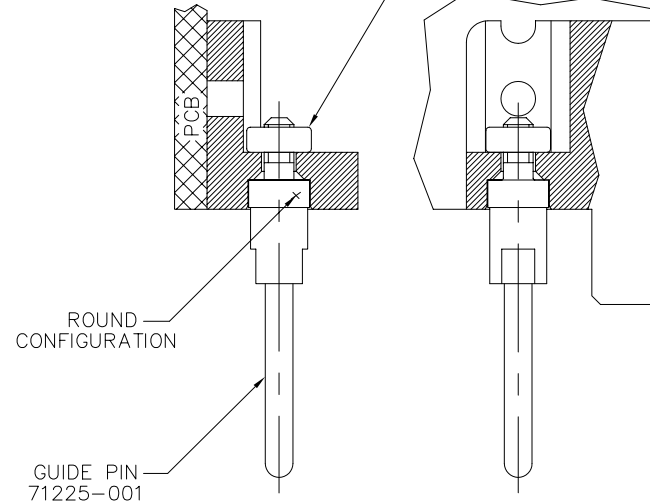
ASSEMBLY NOTE:

AFTER CONNECTOR IS ON PCB,
INSERT THE SQUARE NUT, AND
THEN SCREW IN THE GUIDE PIN

SQUARE
NUT HELD
FROM
ROTATING
BY SLOT




SQUARE NUT
71226-001



ASSEMBLED GUIDE PIN

NOTE:

- ① MATERIAL: 416 STAINLESS STEEL.
2. RECOMMENDED INSTALLATION TOOL: P/N 166769-001 (FOR USE IN 1/4" HEX DRIVE).
3. DRAWING 71225 IS A RECEPTACLE MOUNTED MALE GUIDE PIN

mat'l. code		surface ISO 1302 ✓		tolerance ISO 406 ISO 1101		projection INCH/MM		product family HPC			
ltr	ecn	no	dr	date	tolerances unless otherwise specified		title		NUT, SQUARE #2-56		
E					angles	linear	INCH/MM		dwg no		
					0°±2'	.XX±.01/.3 .XXX±.005/.13 .XXXX±.0020/.051	scale 1:1		sheet 2 of 2 size		
					dr	G. HULL	8/8/95			A3	
					enr	D. HORCHLER	7/25/95				
					chr	D. HORCHLER	8/9/95				
					appd	S. CLARK	8/10/95				
sheet index		revision sheet						type		Product Customer Drawing	