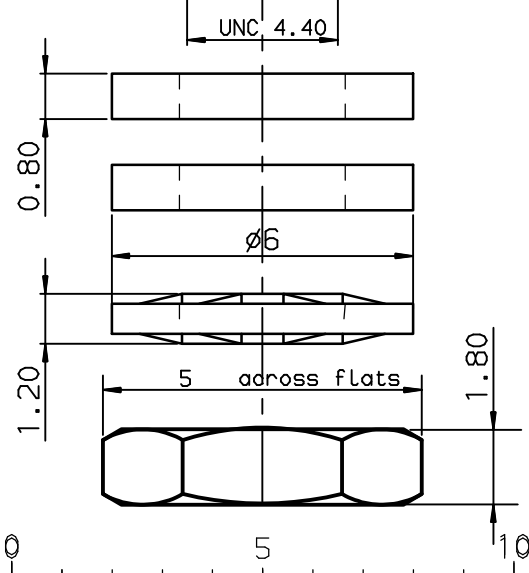
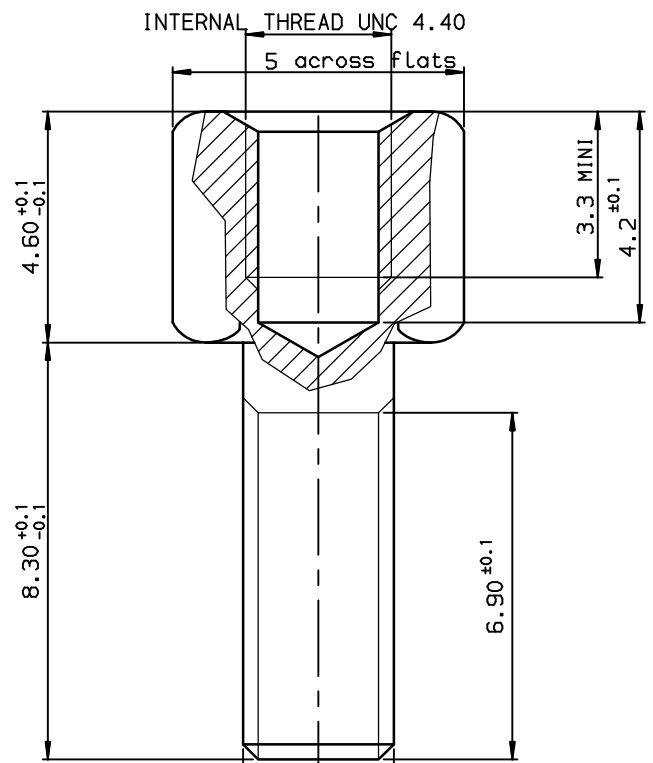




Copyright FCI.



TECHNICAL CHARACTERISTICS :

- Female screw locks: brass, cadmium plated .
- Compensating washer: steel , zinc plated .
- Nuts : steel , cadmium plated .
- Packaging : per 100 pieces .
- Corrosion resistance : 48 hours exposure to salt spray .

Part number **863001060LF**

NOTE1:RoHS INFORMATIONS

- The "LF" product meets European union Directives and other country regulations as described in G5-22-008.
- The product is not intended to be exposed to a manufacturing solder process.
- Plating: Zinc Cr3+, white color.
- Packaging spec: see G5-14-920.

European Views

www.fciconnect.com				surface ISO 1302 ✓	tolerance std ISO 406 ISO 1101	projection mm	TOLERANCES UNLESS OTHERWISE SPECIFIED	
Dr	GOISNARD	2000/07/27	ANGULAR	0.X	±0.1	size	A3	Scale 10
Eng	PESSON	2000/07/27	LINEAR	0.XX	±0.1	ECN	L506-0095	
Chr	LEGARE	2000/07/27	0.XX' ±2'	0.XXX	±0.1	Spec ref	-	
Appr	LEGARE	2000/07/27	Product family	D-SUB				
FCI				title FEMALE SCREW LOCKS		chg no	C01-8655-1637	
-				-		Rev.	B	
-				-		CUSTOMER sheet 1 of 1		

REV F - 2006-04-17