

BGS14PN10

SP4T high linearity, high power RF Switch

Data Sheet

Revision 1.3 - 2016-08-24

Edition 2016-08-24

**Published by
Infineon Technologies AG
81726 Munich, Germany**

**©2012 Infineon Technologies AG
All Rights Reserved.**

Legal Disclaimer

The information given in this document shall in no event be regarded as a guarantee of conditions or characteristics. With respect to any examples or hints given herein, any typical values stated herein and/or any information regarding the application of the device, Infineon Technologies hereby disclaims any and all warranties and liabilities of any kind, including without limitation, warranties of non-infringement of intellectual property rights of any third party.

Information

For further information on technology, delivery terms and conditions and prices, please contact the nearest Infineon Technologies Office (www.infineon.com).

Warnings

Due to technical requirements, components may contain dangerous substances. For information on the types in question, please contact the nearest Infineon Technologies Office.

Infineon Technologies components may be used in life-support devices or systems only with the express written approval of Infineon Technologies, if a failure of such components can reasonably be expected to cause the failure of that life-support device or system or to affect the safety or effectiveness of that device or system. Life support devices or systems are intended to be implanted in the human body or to support and/or maintain and sustain and/or protect human life. If they fail, it is reasonable to assume that the health of the user or other persons may be endangered.

Revision History

Document No.: BGS14PN10.pdf

Revision History: 1.3

Previous Version: 1.2

Page	Subjects (major changes since last revision)
1	Updated title

Trademarks of Infineon Technologies AG

AURIX™, C166™, CanPAK™, CIPOS™, CIPURSE™, CoolGaN™, CoolMOS™, CoolSET™, CoolSiC™, CORECONTROL™, DAVE™, DI-POL™, EasyPIM™, EconoBRIDGE™, EconoDUAL™, EconoPACK™, EconoPIM™, EiceDRIVER™, eupec™, FCOS™, HITFET™, HybridPACK™, ISOFACE™, I²RF™, IsoPACK™, MIPAQ™, ModSTACK™, my-d™, NovalithIC™, OmniTune™, OptiMOS™, ORIGA™, OPTIGA™, PROFET™, PRO-SIL™, PRIMARION™, PrimePACK™, RASIC™, ReverSave™, SatRIC™, SIEGET™, SIPMOS™, SOLID FLASH™, SmartLEWIS™, TEMPFET™, thinQ!™, TriCore™, TRENCHSTOP™.

Other Trademarks

Advance Design System™ (ADS) of Agilent Technologies, AMBA™, ARM™, MULTI-ICE™, PRIMECELL™, REALVIEW™, THUMB™ of ARM Limited, UK. AUTOSAR™ is licensed by AUTOSAR development partnership. Bluetooth™ of Bluetooth SIG Inc. CAT-iq™ of DECT Forum. COLOSSUS™, FirstGPS™ of Trimble Navigation Ltd. EMV™ of EMVCo, LLC (Visa Holdings Inc.). EPCOS™ of Epcos AG. FLEXGO™ of Microsoft Corporation. FlexRay™ is licensed by FlexRay Consortium. HYPERTERMINAL™ of Hilgraeve Incorporated. IEC™ of Commission Electrotechnique Internationale. IrDA™ of Infrared Data Association Corporation. ISO™ of INTERNATIONAL ORGANIZATION FOR STANDARDIZATION. MATLAB™ of MathWorks, Inc. MAXIM™ of Maxim Integrated Products, Inc. MICROTEC™, NUCLEUS™ of Mentor Graphics Corporation. Mifare™ of NXP. MIPI™ of MIPI Alliance, Inc. MIPS™ of MIPS Technologies, Inc., USA. muRata™ of MURATA MANUFACTURING CO., MICROWAVE OFFICE™ (MWO) of Applied Wave Research Inc., OmniVision™ of OmniVision Technologies, Inc. Openwave™ Openwave Systems Inc. RED HAT™ Red Hat, Inc. RFMD™ RF Micro Devices, Inc. SIRIUS™ of Sirius Satellite Radio Inc. SOLARIS™ of Sun Microsystems, Inc. SPANSION™ of Spansion LLC Ltd. Symbian™ of Symbian Software Limited. TAIYO YUDEN™ of Taiyo Yuden Co. TEAKLITE™ of CEVA, Inc. TEKTRONIX™ of Tektronix Inc. TOKO™ of TOKO KABUSHIKI KAISHA TA. UNIX™ of X/Open Company Limited. VERILOG™, PALLADIUM™ of Cadence Design Systems, Inc. VLYNQ™ of Texas Instruments Incorporated. VXWORKS™, WIND RIVER™ of WIND RIVER SYSTEMS, INC. ZETEX™ of Diodes Zetex Limited.

Last Trademarks Update 2012-12-13

Contents

1	Features	5
2	Product Description	6
3	Maximum Ratings	7
4	Operation Ranges	8
5	Logic Table	8
6	RF Characteristics for RF1 and RF3	9
7	RF Characteristics for RF2 and RF4	10
8	RF large signal parameter	11
9	Package Outline and Pin Configuration	13

List of Figures

1	BGS14PN10 block diagram	7
2	Pinout (top view)	13
3	Package Dimensions Drawing	14
4	Land pattern and stencil mask	14
5	Marking	15
6	Tape drawing	15

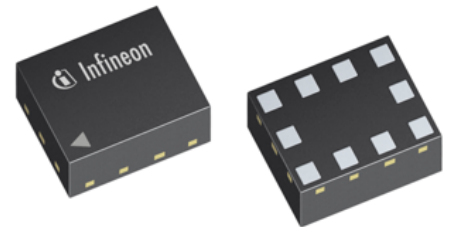
List of Tables

1	Ordering Information	6
2	Maximum Ratings, Table I	7
3	Maximum Ratings, Table II	8
4	Operation Ranges	8
5	Logic Table	8
6	RF Specifications	9
7	RF Specifications	10
8	RF large signal Specifications	11
9	RF large signal Specifications	11
10	Logic Table	12
11	Logic Table	12
12	Logic Table	12
13	Pin description	13
14	Mechanical data	13

BGS14PN10 SP4T high linearity, high power RF Switch

1 Features

- High max RF power: 40 dBm CW @ 900 MHz, room temperature
- Two ultra-low loss ports (RF1 and RF3):
 - 0.19 dB @ f=0.9 GHz, P_{IN} =38 dBm
 - 0.29 dB @ f=1.9 GHz, P_{IN} =38 dBm
 - 0.51 dB @ f=2.7 GHz, P_{IN} =33 dBm
 - 1.20 dB @ f=3.8 GHz, P_{IN} =33 dBm
 - 1.90 dB @ f=5.8 GHz, P_{IN} =33 dBm
- Two low loss ports (RF2 and RF4):
 - 0.32 dB @ f=0.9 GHz, P_{IN} =38 dBm
 - 0.40 dB @ f=1.9 GHz, P_{IN} =38 dBm
 - 0.64 dB @ f=2.7 GHz, P_{IN} =33 dBm
 - 1.19 dB @ f=3.8 GHz, P_{IN} =33 dBm
 - 1.78 dB @ f=5.8 GHz, P_{IN} =33 dBm
- No DC decoupling components required, if no external DC is applied on RF ports
- High ESD robustness
- Low harmonic generation
- High linearity
 - RF1/RF3 72 dBm IIP3
 - RF2/RF4 74 dBm IIP3
- No power supply blocking required
- Supply voltage range: 1.8 to 3.6 V
- No insertion loss change within supply voltage range
- No linearity change within supply voltage range
- Suitable for EDGE / C2K / LTE / WCDMA / SV-LTE Applications
- Mobile cellular Rx/Tx applications, suitable for LTE/3G
- Applicable for main path and entire RF-Front-end without any power restrictions in mobile communication
 - DL/UL CA and MIMO
 - Micro/Pico Cells / Cellular base stations
 - Test equipment
 - Suitable for SV-LTE
- 0.5 to 6.0 GHz coverage
- Small form factor 1.1 mm x 1.5 mm
- 400 μ m pad pitch
- RoHS and WEEE compliant package

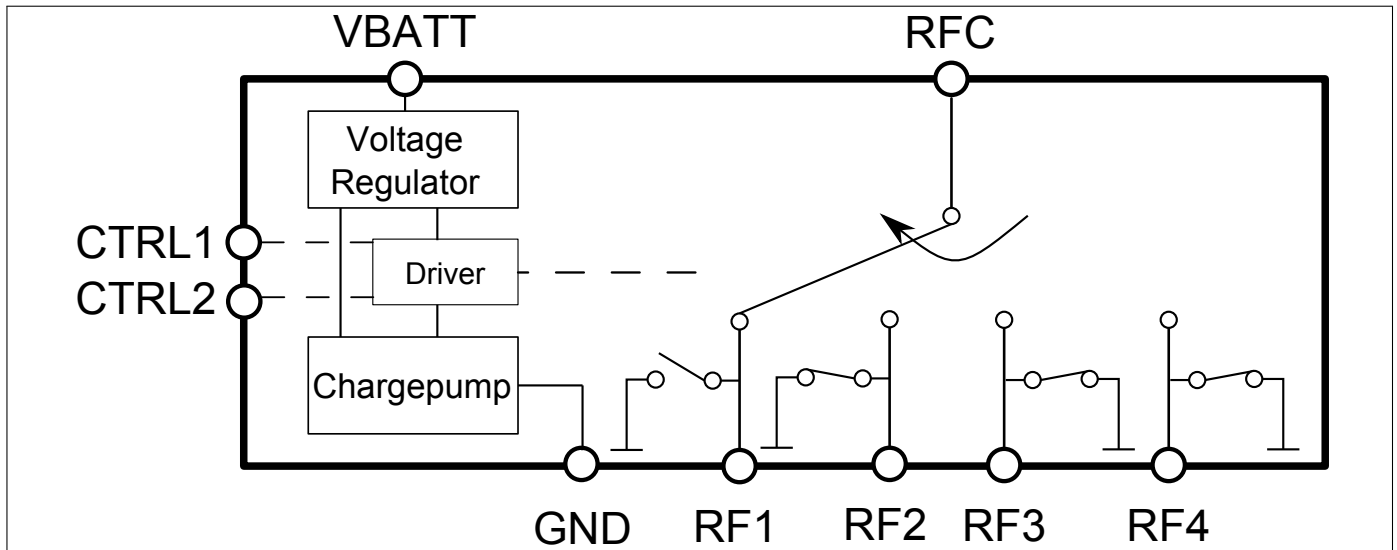


2 Product Description

The BGS14PN10 is a Single Pole Quad Throw (SP4T) RF antenna aperture switch optimized for mobile phone applications up to 6.0 GHz. This single supply chip integrates on-chip CMOS logic driven by a two simple, CMOS or TTL compatible control input signals. Unlike GaAs technology, the 0.1 dB compression point exceeds the switch maximum input power level, resulting in linear performance at all signal levels and external DC blocking capacitors at the RF ports are only required if DC voltage is applied externally.

Table 1: Ordering Information

Type	Package	Marking	Chip
BGS14PN10	TSNP10-1	4P	M4821C


Figure 1: BGS14PN10 block diagram

3 Maximum Ratings

Table 2: Maximum Ratings, Table I at $T_A = 25\text{ }^\circ\text{C}$, unless otherwise specified

Parameter	Symbol	Values			Unit	Note / Test Condition
		Min.	Typ.	Max.		
Frequency Range	f	0.5	–	–	GHz	¹⁾
Supply voltage	V_{DD}	-0.5	–	3.6	V	–
Storage temperature range	T_{STG}	-55	–	150	$^\circ\text{C}$	–
RF input power	P_{RF_TRX}	–	–	40	dBm	25% duty cycle
ESD capability Human Body Model	$V_{ESD_{HBM}}$	-1	–	+1	kV	
ESD capability ANT port (according IEC 61000-4-2 contact)	$V_{ESD_{ANT}}$	-8	–	+8	kV	On application board with 27nH shunt inductor
Junction temperature	T_j	–	–	125	$^\circ\text{C}$	–

¹⁾ Switch has no highpass response. There is also a high ohmic DC to the RF path. The DC voltage at RF ports V_{RFDC} has to be 0V.

Table 3: Maximum Ratings, Table II at $T_A = 25\text{ °C}$, unless otherwise specified

Parameter	Symbol	Values			Unit	Note / Test Condition
		Min.	Typ.	Max.		
Maximum DC-voltage on RF-Ports and RF-Ground	V_{RFDC}	0	–	0	V	No DC voltages allowed on RF-Ports
Control Voltage Levels	V_{CTRL}	-0.7	–	3.3	V	–

4 Operation Ranges

Table 4: Operation Ranges

Parameter	Symbol	Values			Unit	Note / Test Condition
		Min.	Typ.	Max.		
Supply voltage	V_{DD}	1.8	2.85	3.6	V	–
Supply current ¹⁾	I_{DD}	–	75	120	μA	–
Control voltage low	$V_{Ctrl,low}$	0		0.45	V	–
Control voltage high	$V_{Ctrl,high}$	1.2	1.8	2.85	V	$V_{Ctrl,high} \ll V_{DD}$
Control current low	$I_{Ctrl,low}$	-1	0	1	μA	–
Control current high	$I_{Ctrl,high}$	-1	0	1	μA	$V_{Ctrl,high} \ll V_{DD}$
Ambient temperature	T_A	-40	25	85	$^{\circ}C$	–
RF switching time ²⁾	t_{sw}	1	2	5	μs	–
Startup time ²⁾	t_{sw}		10	30	μs	–

¹⁾ $T_A = -30\text{ °C} - +85\text{ °C}$, $V_{BATT} = 1.8 - 3.6\text{ V}$
²⁾, Represents actual alpha status. To be updated.

5 Logic Table

Table 5: Logic Table

CTRL 1	CTRL 2	Mode
0	0	RF1 connected to ANT
0	1	RF2 connected to ANT
1	0	RF3 connected to ANT
1	1	RF4 connected to ANT

6 RF Characteristics for RF1 and RF3

Table 6: RF Specifications

Parameter	Symbol	Values			Unit	Note / Test Condition	
		Min.	Typ.	Max.			
Insertion Loss							
698 - 960 MHz	<i>IL</i>	–	0.18	0.26	dB	$V_{DD} = 1.8 - 3.6 V,$ $T_A = -30 \dots +85 \text{ }^\circ\text{C},$ $Z_0 = 50 \text{ } \Omega,$ P_{IN} up to 38 dBm	
1710 - 1980 MHz		–	0.29	0.36	dB		
1981 - 2170 MHz		–	0.30	0.41	dB		
2171 - 2690 MHz		–	0.51	0.68	dB		
3400 - 3800 MHz		–	1.20	1.40	dB		
5150 - 5850 MHz		–	1.90	2.35	dB		
Return Loss							
All Ports @ 698 - 915 MHz	<i>RL</i>	23	30	–	dB		
All Ports @ 1710 - 1980 MHz		16	19	–	dB		
All Ports @ 1981 - 2170 MHz		14	17	–	dB		
All Ports @ 2171 - 2690 MHz		11	12	–	dB		
All Ports @ 3400 - 3800 MHz		7	8	–	dB		
All Ports @ 5150 - 5850 MHz		6	7	–	dB		
Isolation RFC							
698 - 915 MHz	<i>ISO</i>	34	41	–	dB		
1710 - 1980 MHz		27	32	–	dB		
1981 - 2170 MHz		26	30	–	dB		
2171 - 2690 MHz		24	28	–	dB		
3400 - 3800 MHz		20	24	–	dB		
5150 - 5850 MHz		15	18	–	dB		
Isolation RF1,2,3,4 - RF4,3,2,1							
698 - 915 MHz	<i>ISO</i>	43	50	–	dB		
1710 - 1980 MHz		34	38	–	dB		
1981 - 2170 MHz		33	36	–	dB		
2170 - 2690 MHz		30	33	–	dB		
3400 - 3800 MHz		24	28	–	dB		
5150 - 5850 MHz		18	21	–	dB		

7 RF Characteristics for RF2 and RF4

Table 7: RF Specifications

Parameter	Symbol	Values			Unit	Note / Test Condition	
		Min.	Typ.	Max.			
Insertion Loss							
698 - 960 MHz	<i>IL</i>	–	0.30	0.40	dB	$V_{DD} = 1.8 - 3.6 V$, $T_A = -30 \dots +85 \text{ }^\circ\text{C}$, $Z_0 = 50 \text{ } \Omega$, P_{IN} up to 38 dBm	
1710 - 1980 MHz		–	0.40	0.50	dB		
1981 - 2170 MHz		–	0.41	0.54	dB		
2171 - 2690 MHz		–	0.64	0.80	dB		
3400 - 3800 MHz		–	1.19	1.45	dB		
5150 - 5850 MHz		–	1.78	2.09	dB		
Return Loss							
All Ports @ 698 - 915 MHz	<i>RL</i>	23	27	–	dB		
All Ports @ 1710 - 1980 MHz		17	20	–	dB		
All Ports @ 1981 - 2170 MHz		14	18	–	dB		
All Ports @ 2171 - 2690 MHz		11	15	–	dB		
All Ports @ 3400 - 3800 MHz		7	9	–	dB		
All Ports @ 5150 - 5850 MHz		6	8	–	dB		
Isolation RFC							
698 - 915 MHz	<i>ISO</i>	34	41	–	dB		
1710 - 1980 MHz		27	32	–	dB		
1981 - 2170 MHz		26	30	–	dB		
2171 - 2690 MHz		24	28	–	dB		
3400 - 3800 MHz		20	24	–	dB		
5150 - 5850 MHz		14	18	–	dB		
Isolation RF1,2,3 - RF3,2,1							
698 - 915 MHz	<i>ISO</i>	43	50	–	dB		
1710 - 1980 MHz		34	38	–	dB		
1981 - 2170 MHz		33	36	–	dB		
2170 - 2690 MHz		30	33	–	dB		
3400 - 3800 MHz		24	28	–	dB		
5150 - 5850 MHz		18	21	–	dB		

8 RF large signal parameter

Table 8: RF large signal specifications for RF1 and RF3

Parameter	Symbol	Values			Unit	Note / Test Condition
		Min.	Typ.	Max.		
Max. RF input power	–	–	–	38	dBm	for typical H_x behavior
Harmonic Generation up to 12.75 GHz^(1,2,3)						
Second Order Harmonics	P_{H2}	–	-100	–	dBc	25 dBm, 50Ω, CW mode
Third Order Harmonics	P_{H3}	–	-115	–	dBc	25 dBm, 50Ω, CW mode
All RF Ports	P_{Hx}	–	-100	–	dBc	25 dBm, 50Ω, CW mode
Intermodulation Distortion IMD2^(1,2,3)						
IIP2, low	IIP2,l	–	110	–	dBm	IIP2 conditions table 8
IIP2, high	IIP2,h	–	125	–	dBm	
Intermodulation Distortion IMD3^(1,2,3)						
IIP3	IIP3	–	72	–	dBm	IIP3 conditions table 9
SV LTE Intermodulation^(1,2,3)						
IIP3,SVLTE	IIP3,SV	–	73	–	dBm	SV-LTE conditions table 10

¹Terminating Port Impedance: $Z_0 = 50 \Omega$ ²Supply Voltage: $V_{DD} = 1.8 - 3.6 V$ ³On application board without any matching components

Table 9: RF large signal specifications for RF2 and RF4

Parameter	Symbol	Values			Unit	Note / Test Condition
		Min.	Typ.	Max.		
Max. RF input power	–	–	–	38	dBm	for typical H_x behavior
Harmonic Generation up to 12.75 GHz^(1,2,3)						
Second Order Harmonics	P_{H2}	–	-105	–	dBc	25 dBm, 50Ω, CW mode
Third Order Harmonics	P_{H3}	–	-105	–	dBc	25 dBm, 50Ω, CW mode
All RF Ports	P_{Hx}	–	-105	–	dBc	25 dBm, 50Ω, CW mode
Intermodulation Distortion IMD2^(1,2,3)						
IIP2, low	IIP2,l	–	110	–	dBm	IIP2 conditions table 8
IIP2, high	IIP2,h	–	130	–	dBm	
Intermodulation Distortion IMD3^(1,2,3)						
IIP3	IIP3	–	74	–	dBm	IIP3 conditions table 9
SV LTE Intermodulation^(1,2,3)						
IIP3,SVLTE	IIP3,SV	–	74	–	dBm	SV-LTE conditions table 10

¹Terminating Port Impedance: $Z_0 = 50 \Omega$ ²Supply Voltage: $V_{DD} = 1.8 - 3.6 V$ ³On application board without any matching components

Table 10: IIP2 conditions table

Band	In-Band Frequency [MHz]	Blocker Frequency 1 [MHz]	Blocker Power 1 [dBm]	Blocker Frequency 2 [MHz]	Blocker Power 2 [dBm]
Band 1 Low	2140	1950	20	190	-15
Band 1 High	2140	1950	20	4090	-15
Band 5 Low	881.5	836.5	20	45	-15
Band 5 High	881.5	836.5	20	1718	-15

Table 11: IIP3 conditions table

Band	In-Band Frequency [MHz]	Blocker Frequency 1 [MHz]	Blocker Power 1 [dBm]	Blocker Frequency 2 [MHz]	Blocker Power 2 [dBm]
Band 1	2140	1950	20	1760	-15
Band 5	881.5	836.5	20	791.5	-15

Table 12: SV-LTE conditions table

Band	In-Band Frequency [MHz]	Blocker Frequency 1 [MHz]	Blocker Power 1 [dBm]	Blocker Frequency 2 [MHz]	Blocker Power 2 [dBm]
Band 5	872	827	23	872	14
Band 13	747	786	23	747	14
Band 20	878	833	23	2544	14

9 Package Outline and Pin Configuration

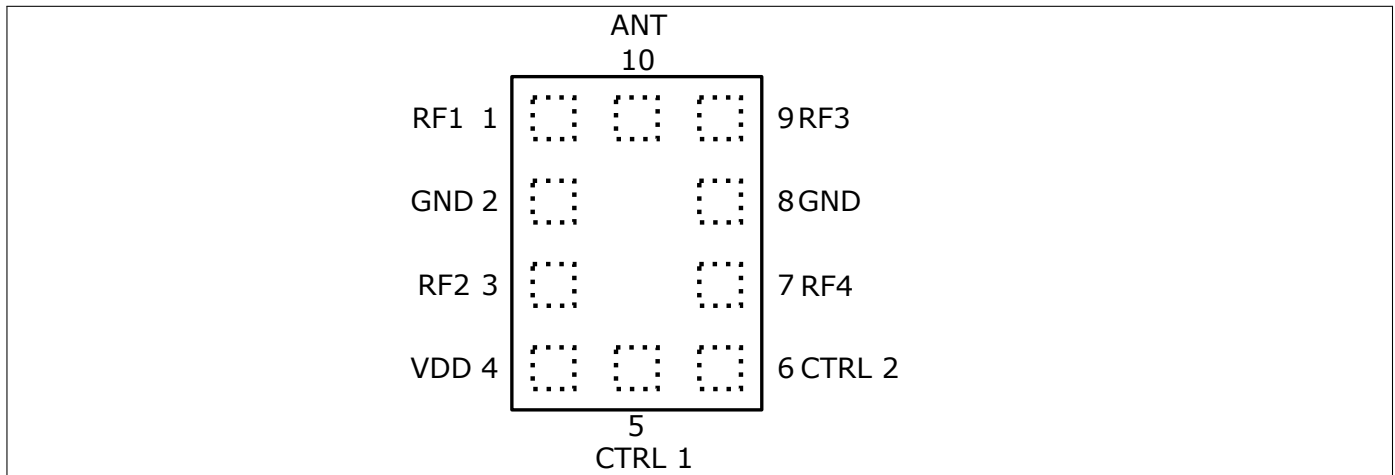


Figure 2: Pinout (top view)

Table 13: Pin Description

Pin No.	Name	Pin Type	Buffer Type	Function
1	RF1	I/O		RF1
2	GND	GND		Ground
3	RF2	I/O		RF2
4	VDD	PWR		Supply voltage
5	CTRL 1	I		Control Pin 1
6	CTRL 2	I		Control Pin 2
7	RF4	I/O		RF4
8	GND	GND		Ground
9	RF3	I/O		RF3
10	ANT	I/O		Common RF / Antenna

Table 14: Mechanical Data

Parameter	Symbol	Value	Unit
X-Dimension	<i>X</i>	1.1 ± 0.05	mm
Y-Dimension	<i>Y</i>	1.5 ± 0.05	mm
Size	<i>Size</i>	1.65	mm ²
Height	<i>H</i>	0.375	mm

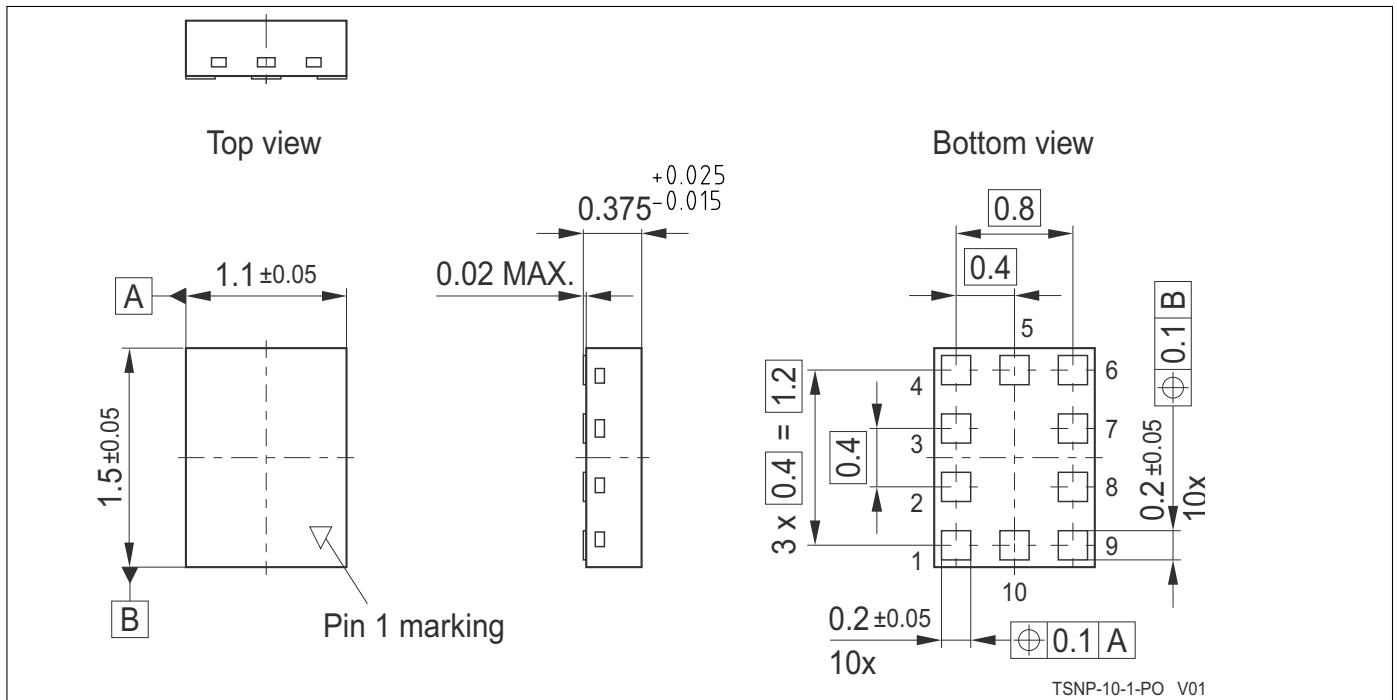


Figure 3: Package Dimensions Drawing

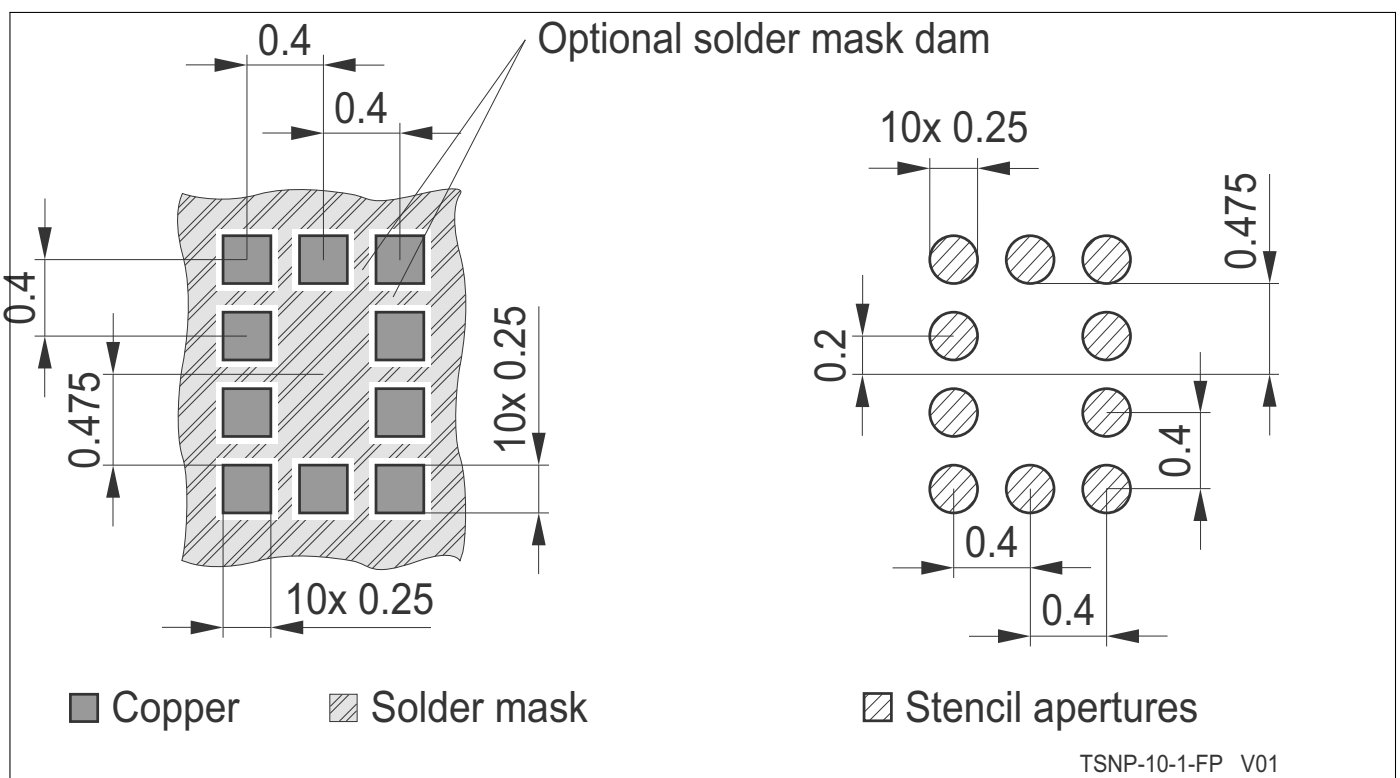


Figure 4: Land pattern and stencil mask

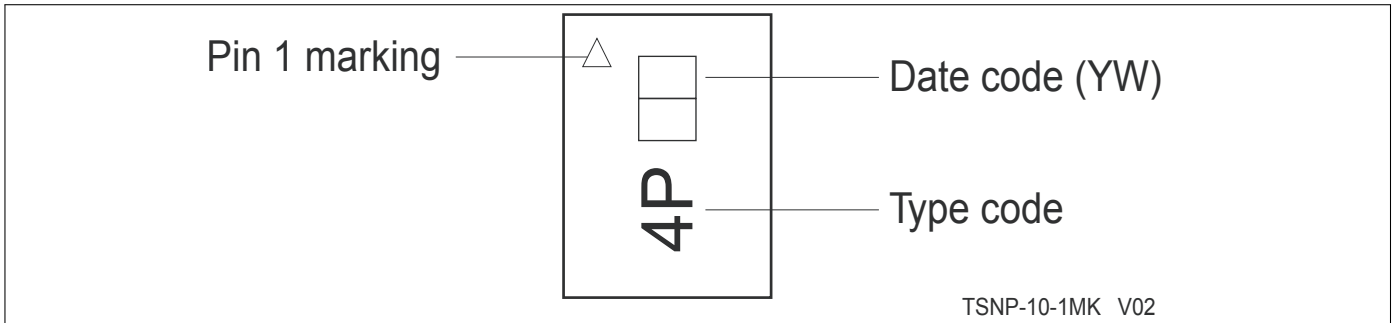


Figure 5: Marking

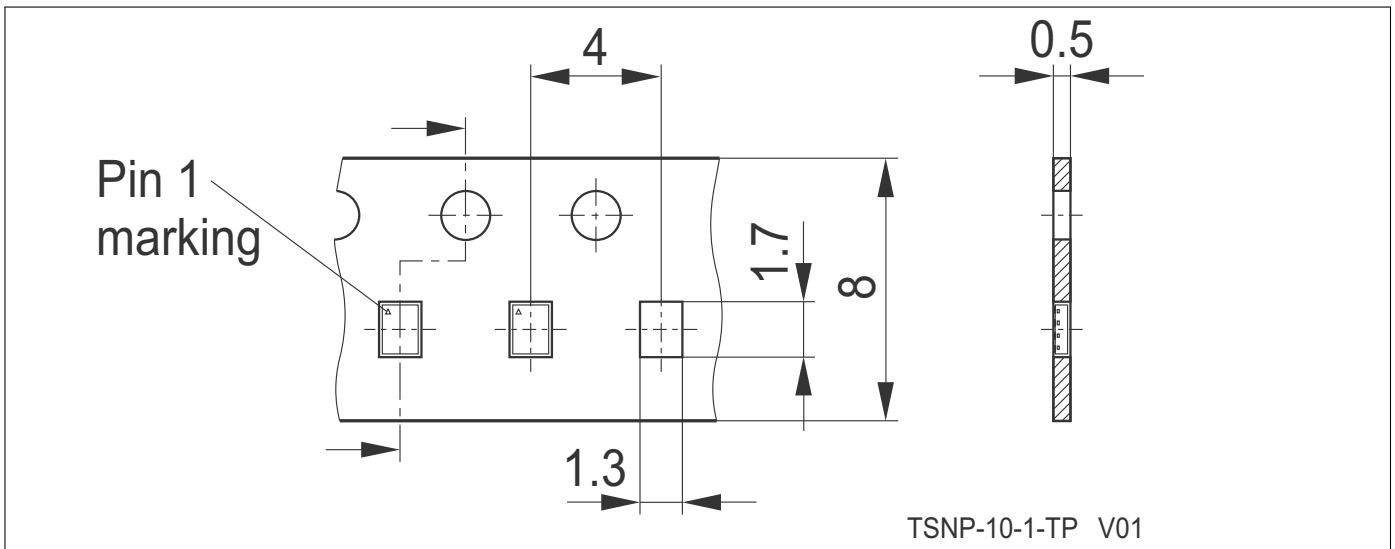


Figure 6: Tape drawing

www.infineon.com

Published by Infineon Technologies AG