

PRODUCT NUMBER

10119678-3XX LF

INDICATES THE PRODUCT IS ROHS COMPATIBLE, NOTE 4

PACKAGING NOTE 3

POS	DIM"A"	DIM"B"	DIM"C"	DIM"Z"
24	58.42	60.96	53.34	0.15
30	73.66	76.20	68.58	0.20
35	86.36	88.82	81.28	0.20

PLATING

0.76µm GOLD ON CONTACT AREA

2.0µm MATTE TIN ON TAILS.

NOTES:

1 - HOUSING MAT'L: HIGH TEMPERATURE PLASTIC FLAME RETARDANT PER UL 94 V-O COLOR: GREY.

2 - TERMINAL MATERIAL: PHOSPHOR BRONZE.

3 - PACKAGING:

OMMIT DIGIT = TUBE

A = TAPE AND REEL

FOR 24 POS: PACKSIZE OF 550 PCS PER REEL.

FOR 30 POS: PACKSIZE OF 680 PCS PER REEL.

4 - RoHS COMPATIBLE PRODUCT SPECIFICATIONS

a - PLATING:

- "LF" MEANS THE PRODUCT IS LEAD-FREE, 2µm MINIMUM MATTE TIN OVER 1.27µm MINIMUM NICKEL UNDERPLATE.

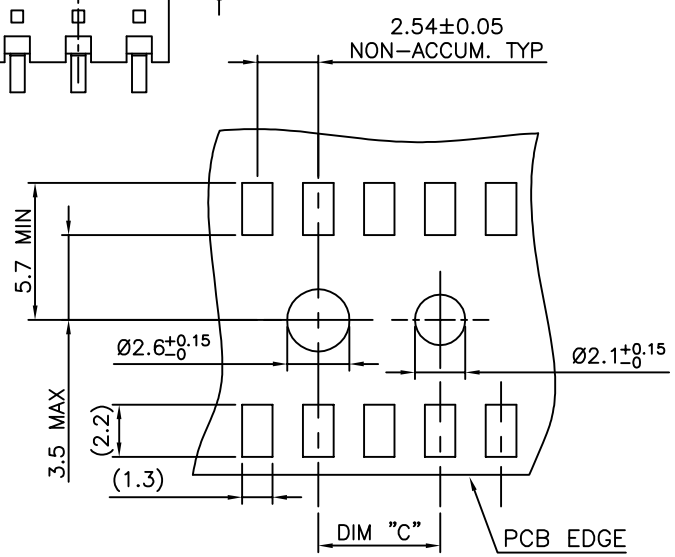
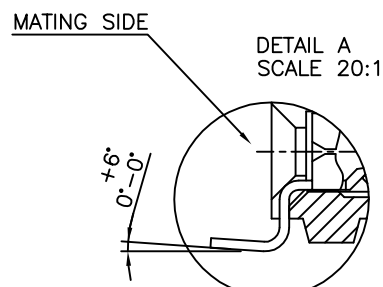
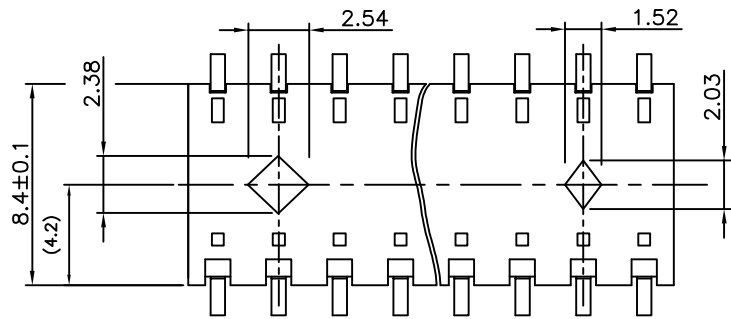
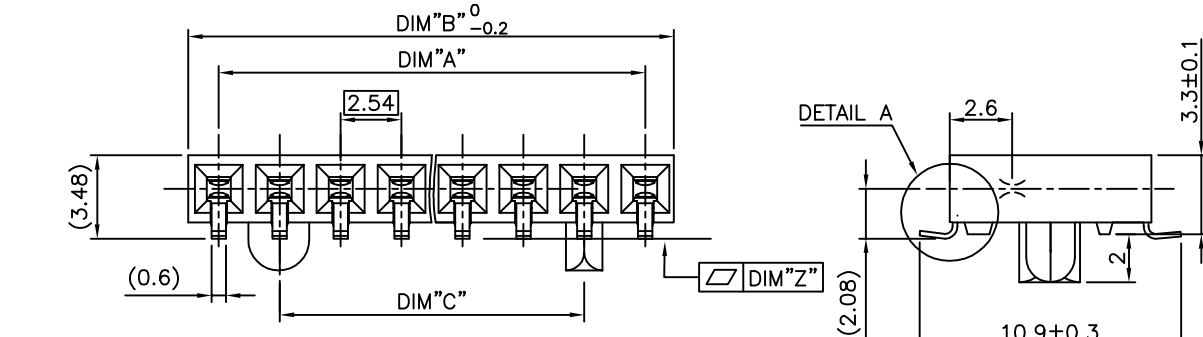
b - MANUFACTURING PROCESS COMPATIBILITY

- THE HOUSING WILL WITHSTAND EXPOSURE TO 260°C PEAK TEMPERATURE FOR 30 SECONDS MAX IN A CONVECTION, INFRA-RED OR VAPOR PHASE OR REFLOW OVEN.

c - LABELING:

- MEETS PACKAGING SPECS AS PER GS-14-920

d - LEGAL STATEMENT: SEE GS-47-0004



mat'l. code		surface		tolerance		projection		product family	
NOTE 1		ISO 1302		ISO 406 ISO 1101		mm		DUBOX	
ltr	ecn no	dr	date	tolerances unless otherwise specified		mm		title	
A	F12-0040	LMU	12.04.02	angles	linear	mm		BtB RECEPT.	
B	B-15987	JCO	13.10.02			mm		HORIZ SR SMT	
C	F-24485	AMA	16.07.12	±2'		scale 10:1		dwg no	
D	F-24995	DDE	16.09.21	dr	LMULIN	12.01.03		sheet 1 of 1	
E	F-25000	DDE	16.09.21	enrg	J COMPAGNON	12.01.04		size	
				chr	JCO	12.01.03		10119678	
				appd	J.PE	12.01.04		A3	
sheet index		revision sheet						type CUSTOMER Drawing	