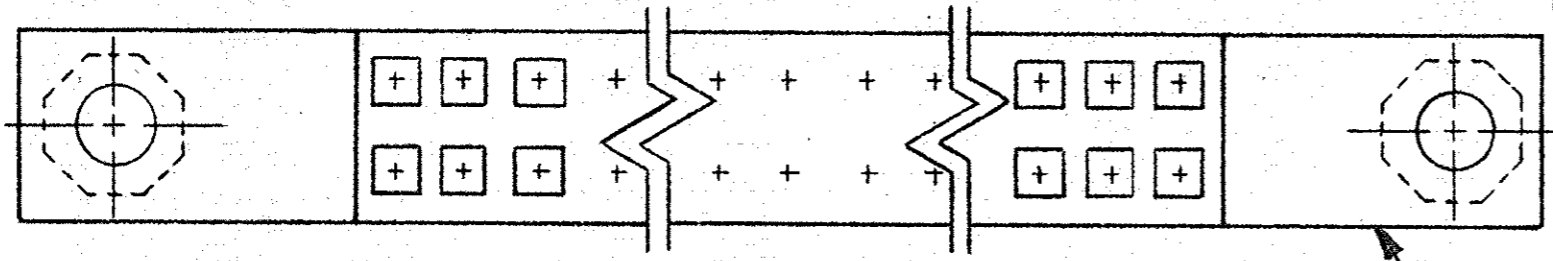
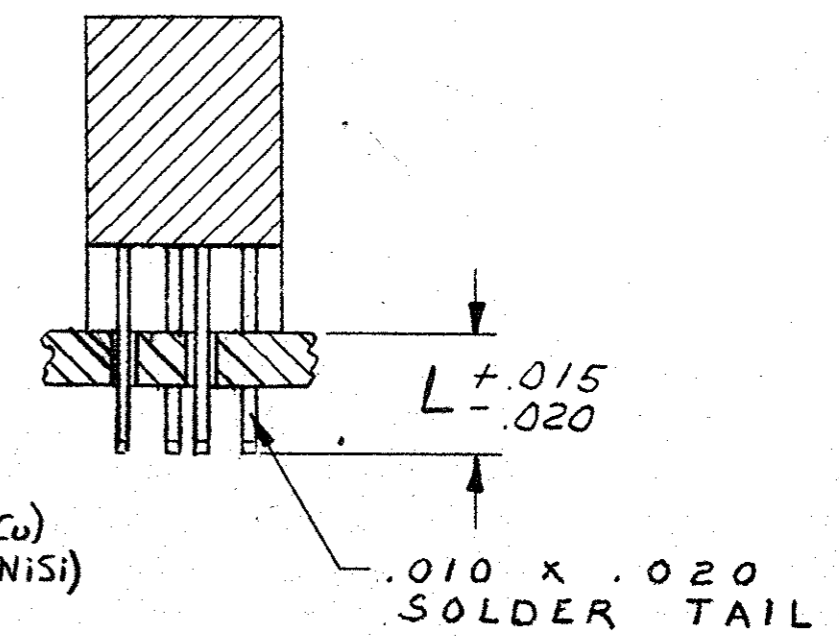
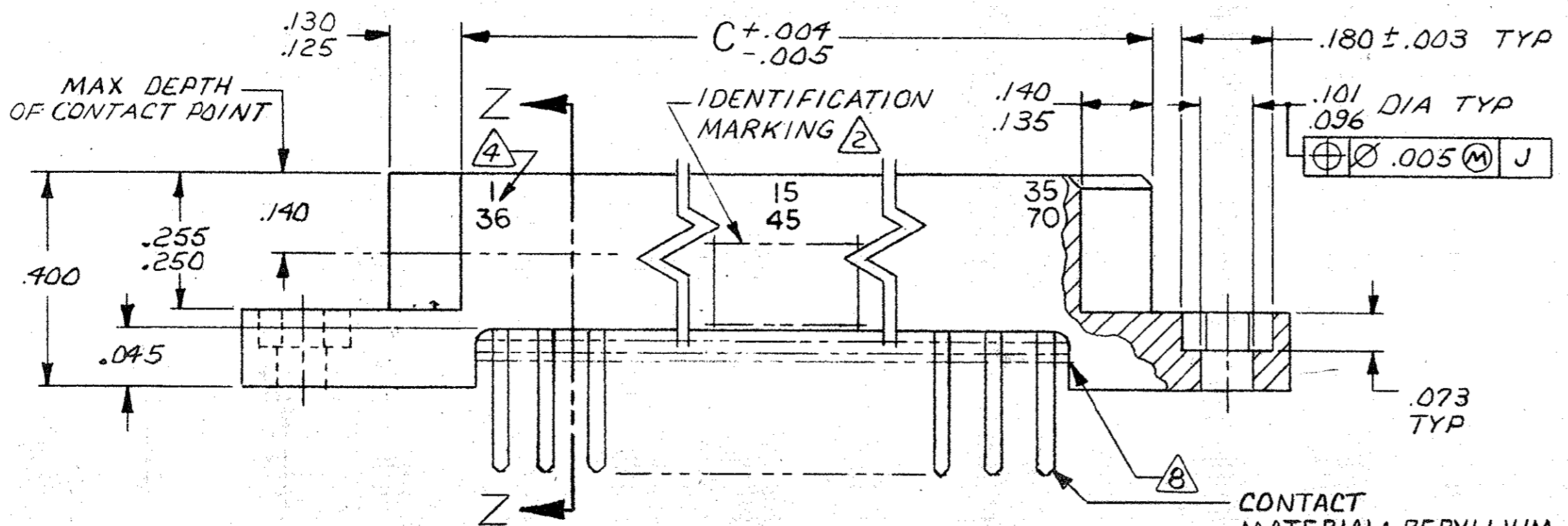
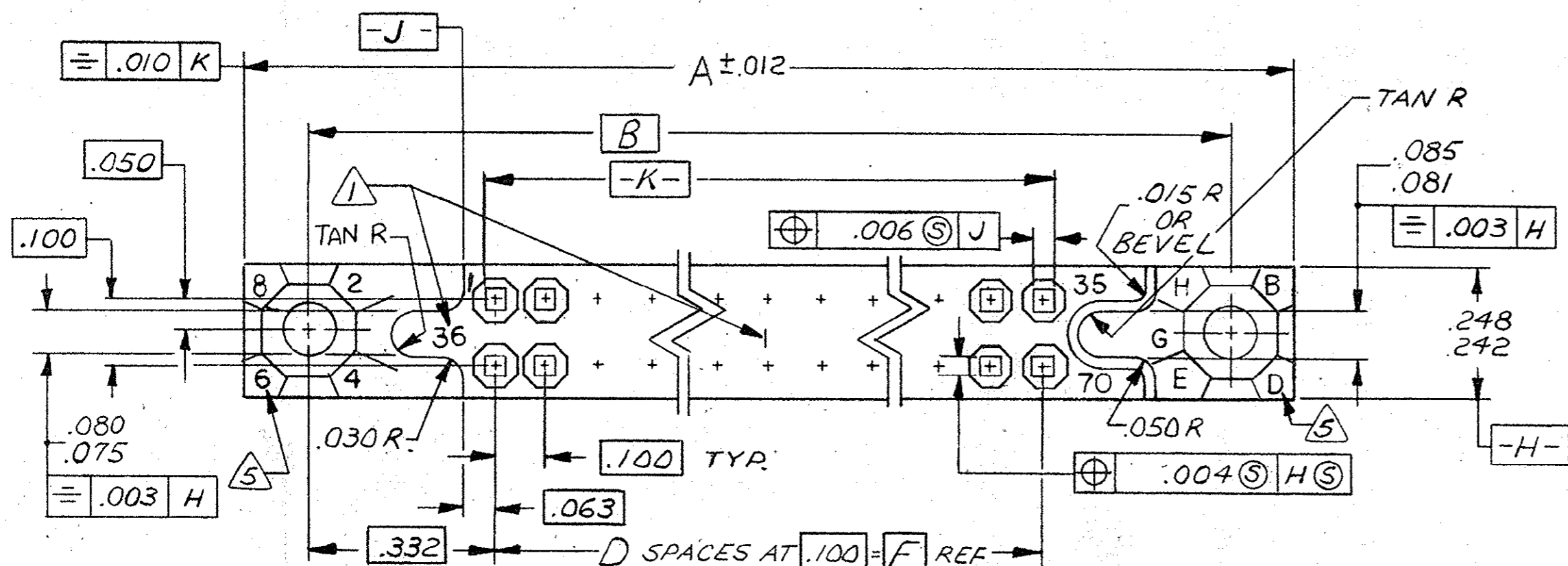


THIS DRAWING IS UNPUBLISHED. RELEASED FOR PUBLICATION
 © COPYRIGHT 19 BY AMP INCORPORATED, HARRISBURG, PA. ALL INTERNATIONAL RIGHTS RESERVED. AMP PRODUCTS MAY BE COVERED BY U.S. AND FOREIGN PATENTS AND/OR PATENTS PENDING.

REVISIONS					
P	F	ZONE/LTR	DESCRIPTION	DATE	APPROVED
		D	RELEASED	m.s. 8-86	
		A	REV PER DF-5227	TA	
		B	REV PER 0600-1376-93	TA	1/94 665
		C	REV 0600-5641-96	TT	10-97
		D	REV PER ECO-05-013297		11-05 PY
		E	REV PER ECO-07-004569		3-07 PY



CONTACT MATERIAL: BERYLLIUM COPPER (BeCu) OR COPPER NICKEL SILICONE (CuNiSi)

HOUSING MATERIAL: DIALLYL PHTHALATE, COLOR, BLUE

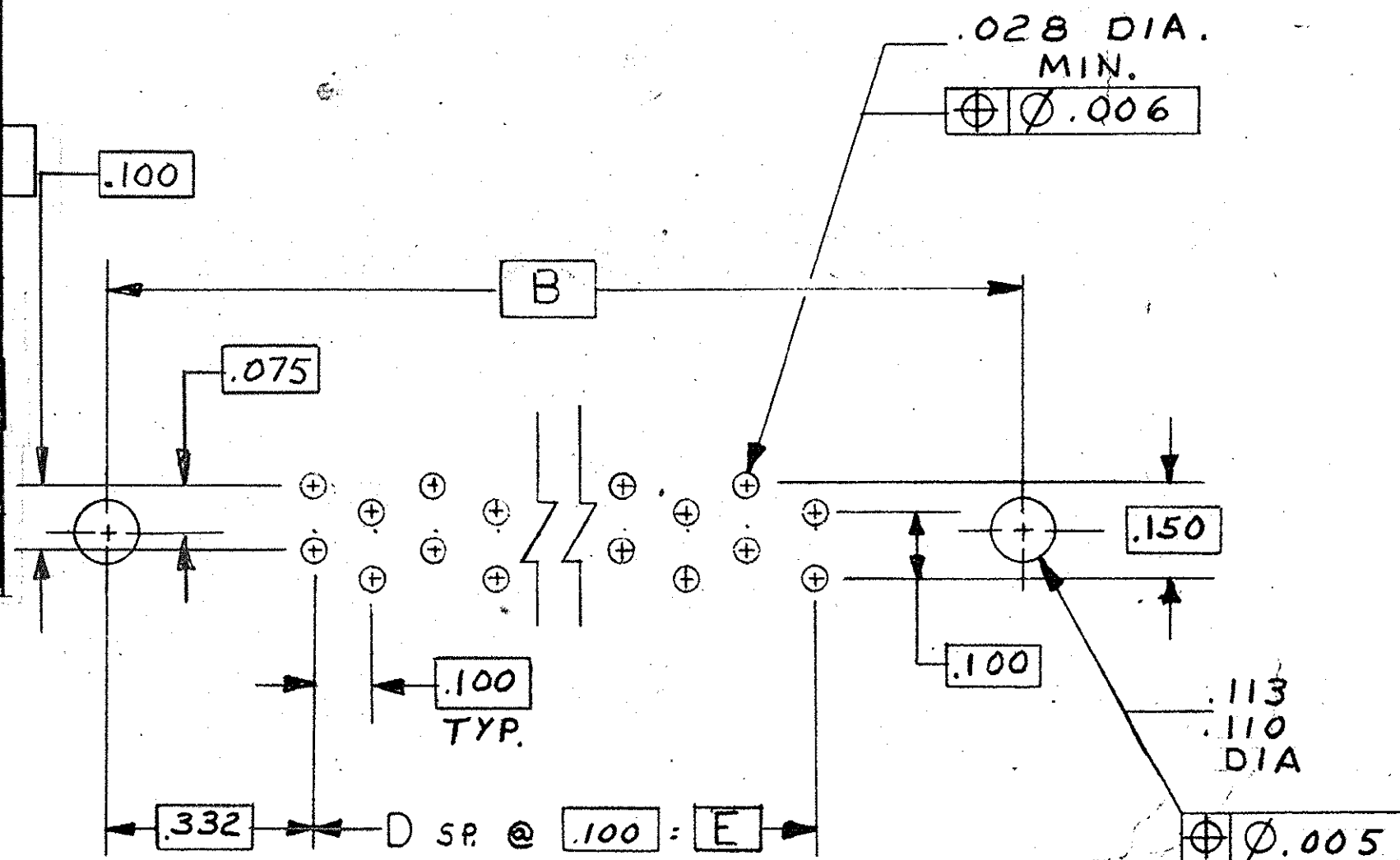
- 1 NUMBERS (SEE TABLE) AND LINES INDICATING EVERY FIVE CAVITIES STAMPED ON MATING FACE (WHITE INK).
- 2 AMP, DATE CODE, AMP PART NUMBER AND 00779 INK STAMPED WHITE IN THIS AREA.
- 3 MEETS ALL APPLICABLE REQUIREMENTS OF MIL-C-55302.
- 4 NUMBERS INDICATING EVERY FIVE CAVITIES STAMPED ON SIDE.
- 5 KEY POSITION IDENTIFICATIONS MOLDED ON SURFACES SHOWN.
- 6 SOLDER TINES ARE SOLDERDIPPED.

UNLESS OTHERWISE SPECIFIED DIMENSIONS ARE IN INCHES. TOLERANCES ON: DECIMALS ± .005 ANGLES ±		CONTRACT NO		PART NO	
MATERIAL SEE CALLOUTS		DR M. Smith 8-15-86 CHK James P. Scholz 2-2-87		AMP INCORPORATED Harrisburg, Pa. 17105	
FINISH 7		APPD James P. Scholz 2-4-87 APPD J. Scholz 2/9/87		NAME RECEPTACLE ASSEMBLY, 1000 SERIES BOX, SEALED, WITH .010 x .020 POSTED CONTACTS, EXTERNAL KEYING	
OTHER APPD		DSGN APPD		SIZE C	
				FSCM NO 00779	
				DRAWING NO 534195	
				REV E	
				SCALE NTS	
				SHEET 1 OF 2	

THIS DRAWING IS UNPUBLISHED. RELEASED FOR PUBLICATION, 19
 © COPYRIGHT 19 BY AMP INCORPORATED, HARRISBURG, PA. ALL INTERNATIONAL RIGHTS RESERVED. AMP PRODUCTS MAY BE COVERED BY U.S. AND FOREIGN PATENTS AND/OR PATENTS PENDING.

REVISIONS					
P	F	ZONE/LTR	DESCRIPTION	DATE	APPROVED
			SEE SHEET 1		

ASSEMBLY NUMBER	NO. OF CONTACTS	DIMENSIONS					CONTACT IDENT. NO.	L	REMARKS
		A	B	C	D	E			
534195-1	30	2.355	2.065	1.665	14	1.400	1-15 16-30	.156	△
-2	40	2.855	2.565	2.165	19	1.900	1-20 21-40		
-3	50	3.355	3.065	2.665	24	2.400	1-25 26-50		
-4	60	3.855	3.565	3.165	29	2.900	1-30 31-60		
-5	70	4.355	4.065	3.665	34	3.400	1-35 36-70		
-6	80	4.855	4.565	4.165	39	3.900	1-40 41-80		
-7	90	5.355	5.065	4.665	44	4.400	1-45 46-90		
-8	100	5.855	5.565	5.165	49	4.900	1-50 51-100		OBSOLETE
-9	110	6.355	6.065	5.665	54	5.400	1-55 56-110		OBSOLETE
1-0	120	6.855	6.565	6.165	59	5.900	1-60 61-120		OBSOLETE
1-1	130	7.355	7.065	6.665	64	6.400	1-65 66-130		OBSOLETE
1-2	134	7.555	7.265	6.865	66	6.600	1-67 68-134		OBSOLETE
1-534195-3	140	7.855	7.565	7.165	69	6.900	1-70 71-140		OBSOLETE



△ CONTACT FINISH: .000050 GOLD IN CONTACT AREA
 .000100 TIN-LEAD ON SOLDER TAILS, ALL OVER
 .000030-.000150 NICKEL.
 ▽ EPOXY SEALANT ADDED TO BOTTOM OF HOUSING.

UNLESS OTHERWISE SPECIFIED DIMENSIONS ARE IN INCHES. TOLERANCES ON: DECIMALS ± .005 ANGLES ± .005		CONTRACT NO 8-15-86		AMP INCORPORATED Harrisburg, Pa. 17105	
MATERIAL CONTACTS: Be Cu ▽ HSG: DIALLYL PHTHALATE		DR <i>M. Smith</i> CHK <i>James P. Scholz</i>		NAME RECEPTACLE ASSEMBLY, 1000 SERIES BOX, SEALED, WITH .010 x .020 POSTED CONTACTS AND EXTERNAL KEYING	
FINISH △		APPD <i>James P. Scholz</i> APPD <i>J.P.M.</i>		DRAWING NO 534195	
		DSGN APPD		SIZE C	
		OTHER APPD		FSCM NO 00779	
				SHEET 2 OF 2	