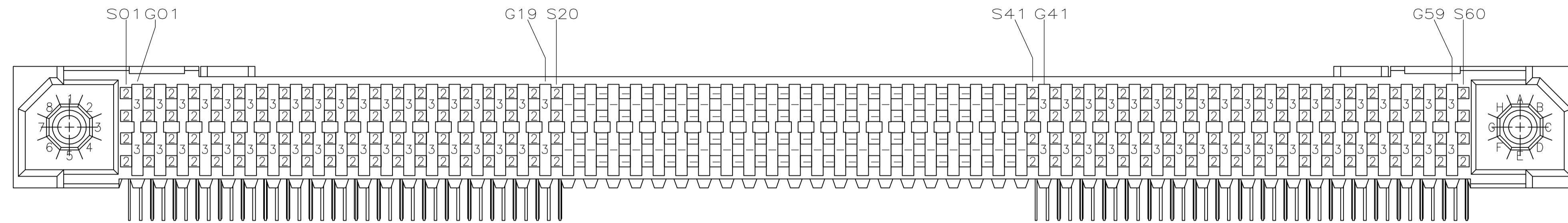


RECOMMENDED CIRCUIT PATTERN
 PER ANSI/IPC-D-300 TYPE II, CLASS C
 (COMPONENT SIDE)

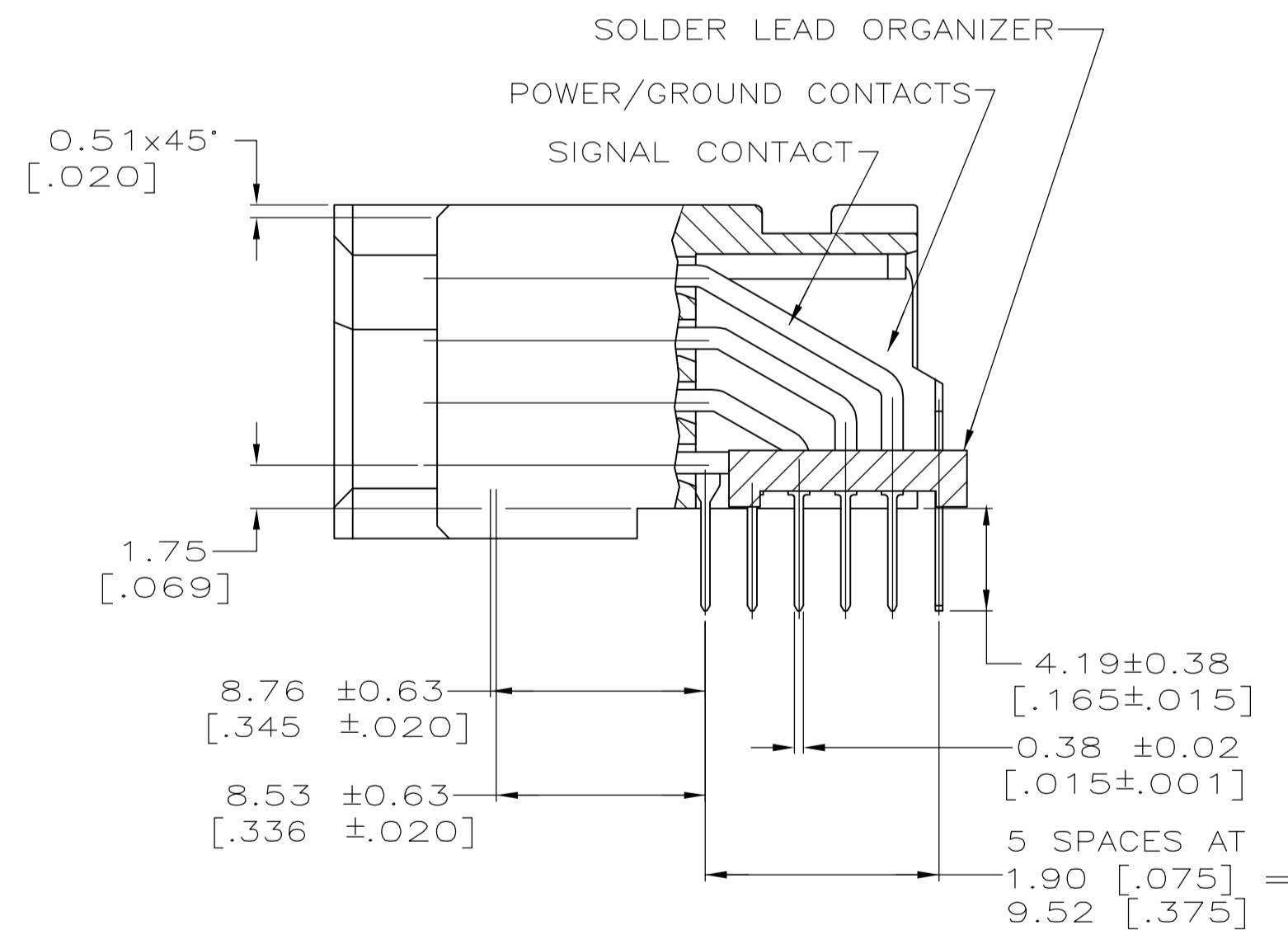
5646648-1
 PART NUMBER

THIS DRAWING IS A CONTROLLED DOCUMENT.		DWN J. POLIGNONE 29JUL05		Tyco Electronics Corporation Harrisburg, Pa 17105-3608	
DIMENSIONS: mm [INCHES]		CHK G. GRIFFITH 29JUL05		NAME G. GRIFFITH 29JUL05	Z-PACK Stripline 100 RECEPTACLE ASSEMBLY, 4.19 [.165] SOLDER LEAD LENGTH 160/240 SELECT LOAD
TOLERANCES UNLESS OTHERWISE SPECIFIED:		PRODUCT SPEC 108-1244		APPLICATION SPEC 114-1065	
0 PLC ± - 1 PLC ± - 2 PLC ± 0.51 [.02] 3 PLC ± 0.25 [.010] 4 PLC ± - ANGLES 1' ± -		SIZE CAGE CODE DRAWING NO. A1 00779 ©=5646648		RESTRICTED TO -	
MATERIAL FINISH		WEIGHT -		CUSTOMER DRAWING SCALE 3:1 SHEET 1 OF 2 REV 0	

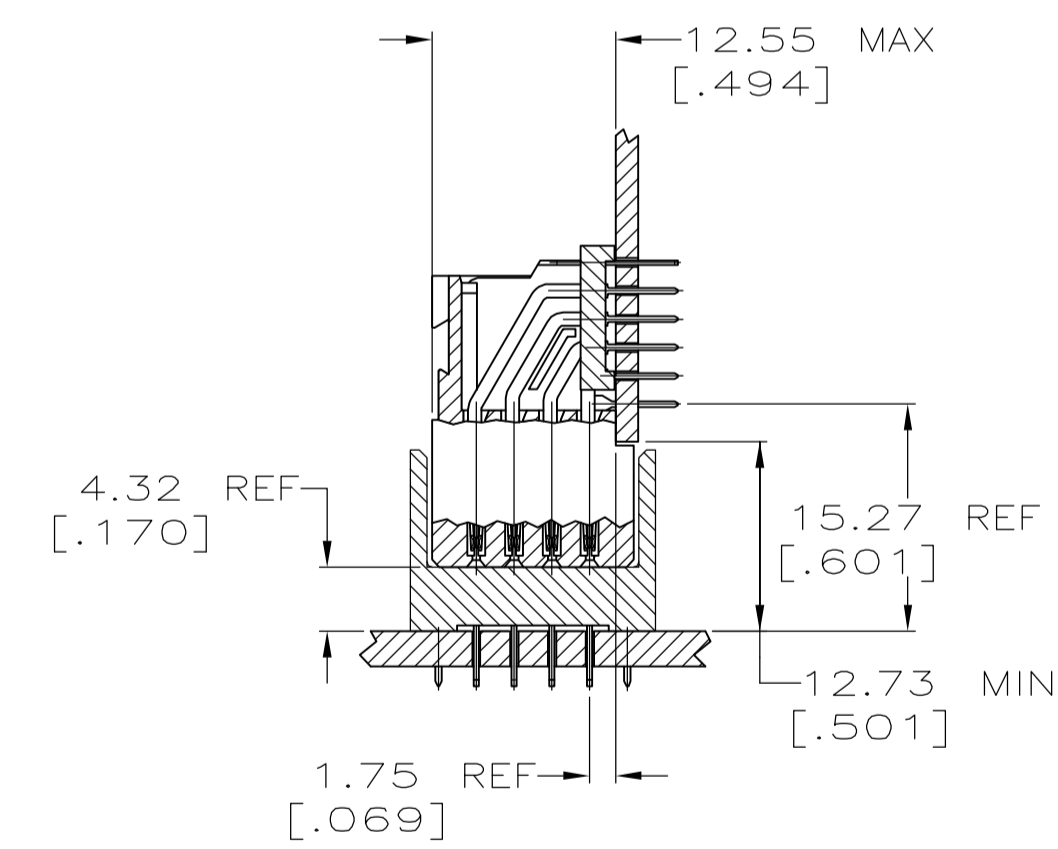


ITEM DESCRIPTION	LEAD LENGTH REF	ITEM NUMBER
POWER/GROUND SIGNAL	.165	3
	.165	2

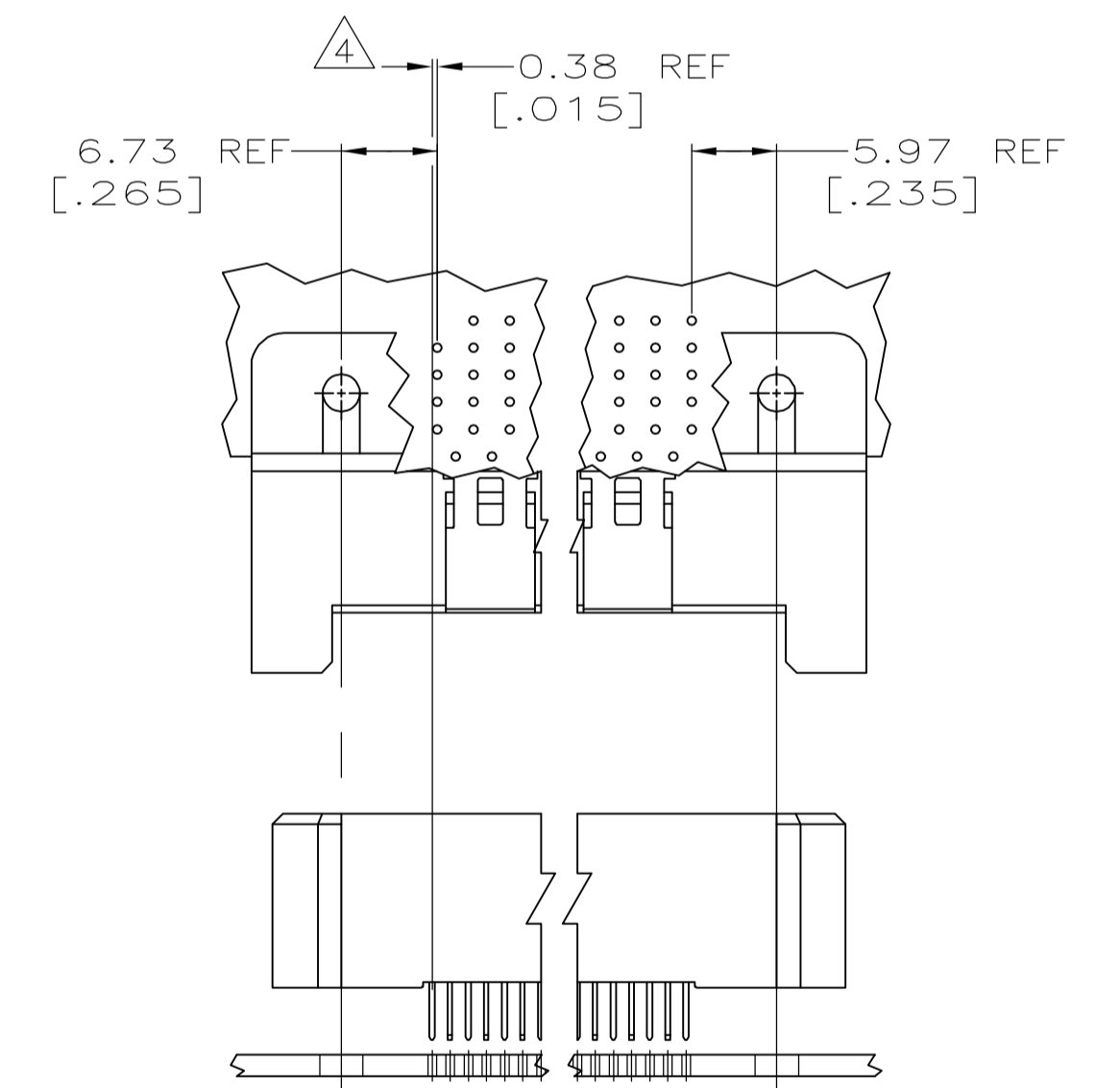
POWER/GROUND CONTACT
 LOAD PATTERN
 (MATING FACE)



SECTION A-A
 SCALE 4:1



REFERENCE
 MATED CROSS SECTION
 SCALE 2:1



REFERENCE
 MATED CONNECTOR THRU HOLE OFFSET
 SCALE 2:1

- △ HOUSING & ORGANIZER MATERIAL: LIQUID CRYSTAL POLYMER, COLOR: BLACK.
- △ SIGNAL CONTACT MATERIAL: PHOSPHOR BRONZE, PER CDA CS5110.
- △ POWER/GROUND MATERIAL: BERYLLIUM COPPER, PER CDA CS17410.
- △ CONTACT FINISH:
 ON MATING SURFACES—
 0.00076 [.000030] MIN PALLADIUM-NICKEL OVER
 0.00127 [.000050] MIN. NICKEL.
 ON LEADS—
 0.00254 [.000100] MIN. MATTE TIN, OVER
 0.00127 [.000050] MIN. NICKEL.
- △ RECEPTACLE ASSEMBLY SOLDER LEADS ARE OFFSET .015 TOWARD THE LETTER END OF THE CAVITY CENTERLINE. THE PIN ASSEMBLY SOLDER LEADS ARE IN LINE WITH THE CAVITY CENTERLINE.

THIS DRAWING IS A CONTROLLED DOCUMENT.		DWN J. POLIGNONE 29JUL05	 Tyco Electronics Corporation Harrisburg, Pa 17105-3608
DIMENSIONS: mm [INCHES]		CHK G. GRIFFITH 29JUL05	
TOLERANCES UNLESS OTHERWISE SPECIFIED:		APP'D G. GRIFFITH 29JUL05	NAME Z-PACK Stripline 100 RECEPTACLE ASSEMBLY, 4.19 [.165] SOLDER LEAD LENGTH 160/240 SELECT LOAD
0 PLC ± - 1 PLC ± - 2 PLC ± 0.51 [.02] 3 PLC ± 0.25 [.010] 4 PLC ± - ANGLES 1° ± -		PRODUCT SPEC 108-1244	RESTRICTED TO
MATERIAL FINISH		APPLICATION SPEC 114-1065	SIZE CAGE CODE DRAWING NO
1 2 3		WEIGHT	A1 00779 ©=5646648
		CUSTOMER DRAWING	SCALE 3:1 SHEET 2 OF 2 REV 0