

MATERIALS AND FINISHES
 BODY, CRIMP TUBE, SLEEVE, RETAINING RING
 BRASS, PLATED NICKEL

COUPLING NUT
 ZINC, PLATED NICKEL

WAVE WASHER
 BERYLLIUM COPPER, PLATED NICKEL

INSULATOR
 TEFLON

CONTACT
 PHOSPHOR BRONZE, PLATED GOLD

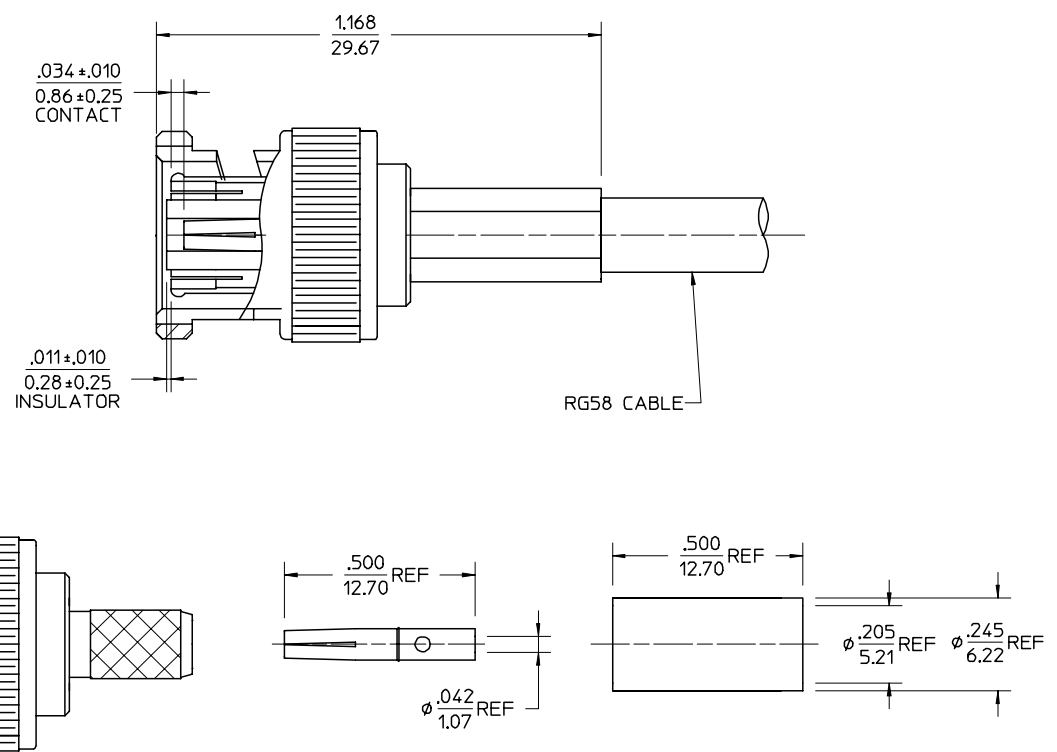
HEX CRIMP:
 CENTER CONTACT: .068 HEX
 CRIMP TUBE: .213 HEX

CABLE ASSEMBLY INSTRUCTIONS:
 AS-89678-4700

BNC PLUG
 REVERSE POLARITY
 INTERFACE

PACKAGING:
 BULK PACK CONNECTORS 100 PER BAG.
 BULK PACK CONTACTS 100 PER BAG.
 BULK PACK CRIMP TUBES 100 PER BAG.
 OVER BAG INTO ONE BAG.

PART # 73171-1930



CHG: RELEASE DRAWING, ADDED PACKAGING REQ.		EC NO. URF-1852		DRWN: AZR 09/12/03		CHK: SSS 09/12/03		APPR: GMH 09/12/03		CHG: UPDATED CONTACT VIEW. MATERIAL FOR COUPLING NUT WAS BRASS.		EC NO. URF-XXXX		DRWN: AZR 09/15/03		CHK: XXX 00/00/00		APPR: XXX 00/00/00		CHG: NEW DRAWING		EC NO. URF-XXXX		DRWN: AZR 05/15/03		CHK: XXX 00/00/00		APPR: XXX 00/00/00		DESCRIPTION		UNLESS OTHERWISE SPECIFIED DIMS ARE INCHES AND ANGLES ARE DEGREES.		QUALITY SYMBOLS		GENERAL TOLERANCES: (UNLESS SPECIFIED)		SCALE		DESIGN UNITS		THIRD ANGLE PROJECTION		DIMENSIONS:		1 A		SHT REV																																																																																																																																																																	
A		2		1		REV		1		2		3		4		5		6		7		8		9		10		11		12		13		14		15		16		17		18		19		20		21		22		23		24		25		26		27		28		29		30		31		32		33		34		35		36		37		38		39		40		41		42		43		44		45		46		47		48		49		50		51		52		53		54		55		56		57		58		59		60		61		62		63		64		65		66		67		68		69		70		71		72		73		74		75		76		77		78		79		80		81		82		83		84		85		86		87		88		89		90		91		92		93		94		95		96		97		98		99		100			
UBORD.DGN REV A 96/06/12 LEVEL 4		A		2		1		REV		1		2		3		4		5		6		7		8		9		10		11		12		13		14		15		16		17		18		19		20		21		22		23		24		25		26		27		28		29		30		31		32		33		34		35		36		37		38		39		40		41		42		43		44		45		46		47		48		49		50		51		52		53		54		55		56		57		58		59		60		61		62		63		64		65		66		67		68		69		70		71		72		73		74		75		76		77		78		79		80		81		82		83		84		85		86		87		88		89		90		91		92		93		94		95		96		97		98		99		100	
DRAWN BY & DATE		AZR 05/15/03		CHECKED BY & DATE		SSS 09/11/03		APPROVED BY & DATE		GMH 09/11/03		CAD FILENAME		MATERIAL NO. SEE NOTE		DRAWING NO. SD-73171-193		SHEET NO. 1 of 1		THIS DRAWING CONTAINS INFORMATION THAT IS PROPRIETARY TO MOLEX INCORPORATED AND SHOULD NOT BE USED WITHOUT WRITTEN PERMISSION.		SIZE B																																																																																																																																																																																											