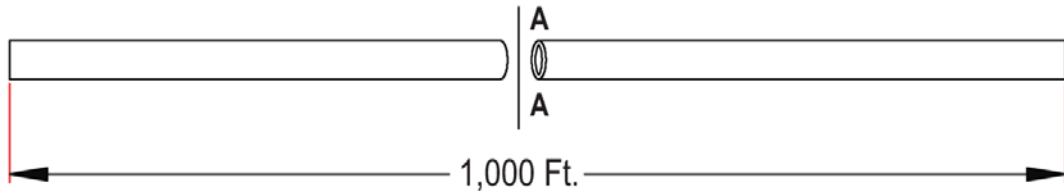
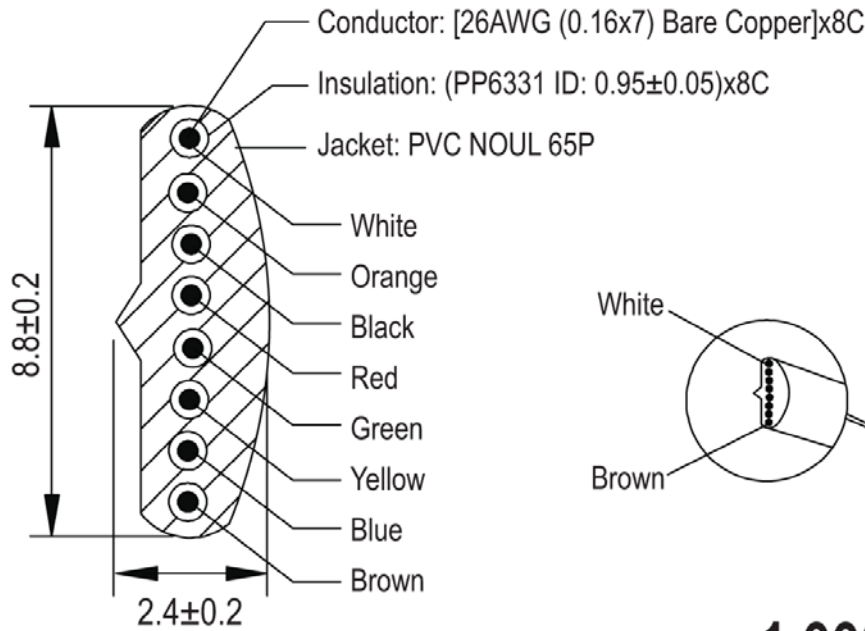


A



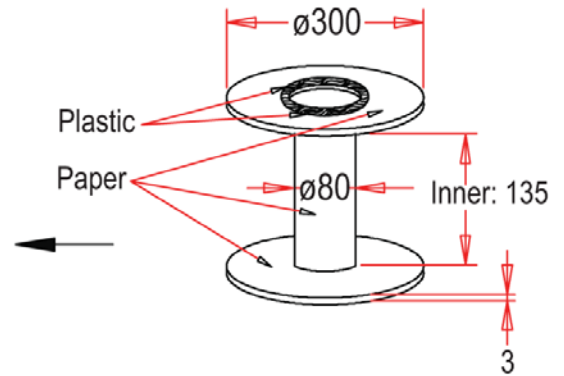
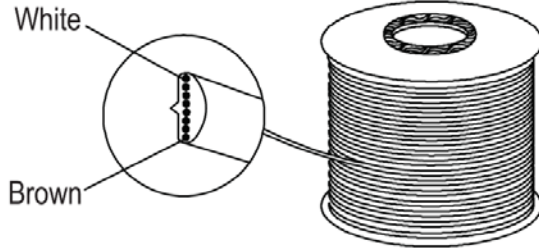
B



C

D

E



1,000Ft/R. "PE" Foam Wrapped

F

Voltage rating: 30V (DC)

Unit: MM

G

H



Scale	1:1						Name
TOLERANCE					Drawn	11.18.11	Chappell
X.X	±0.40				Approved		
X.XX	±0.25						
X.XXX	±0.15						
Angle	±3°						
Modification				Date	Name		

Item No.		AT-K-26-8-W/1000	
Title Modular Straight cable - Raw, 8 Contact, 26AWG, White, 1000Ft			
Drawing No.		rev00	
Replace	Sheet		