

| | | | | | | | | | | | |
|---------------------------------------|------------|---------|----------------|------------|------------|----|----------------|---|-----------|-----------|----------|
| spec ref | - | dr | Wei-Long Zhang | 2011/05/11 | projection | MM | size | A2 | scale | 3:1 | |
| tolerance std | ASME Y14.5 | eng | Sunny2 Liu | 2016/05/18 | | | ecn no | ELX-DG-24036-1 | rel level | Released | |
| TOLERANCES UNLESS OTHERWISE SPECIFIED | | chr | Terris Liu | 2016/05/20 | | | product family | CARD EDGE | | rel level | Released |
| surface | ASME Y14.5 | appr | Pai-Ming Zheng | 2016/05/24 | | | title | RECEPTACLE (16P-16S) HPCE - (STRADDLE MOUNT) | | cat. no. | - |
| | | linear | 0.X | ±0.3 | | | | | | | |
| | | | 0.XX | ±0.1 | | | | | | | |
| | | | 0.XXX | ±0.05 | | | | | | | |
| | | angular | 0° | ±2° | | | | | | | |

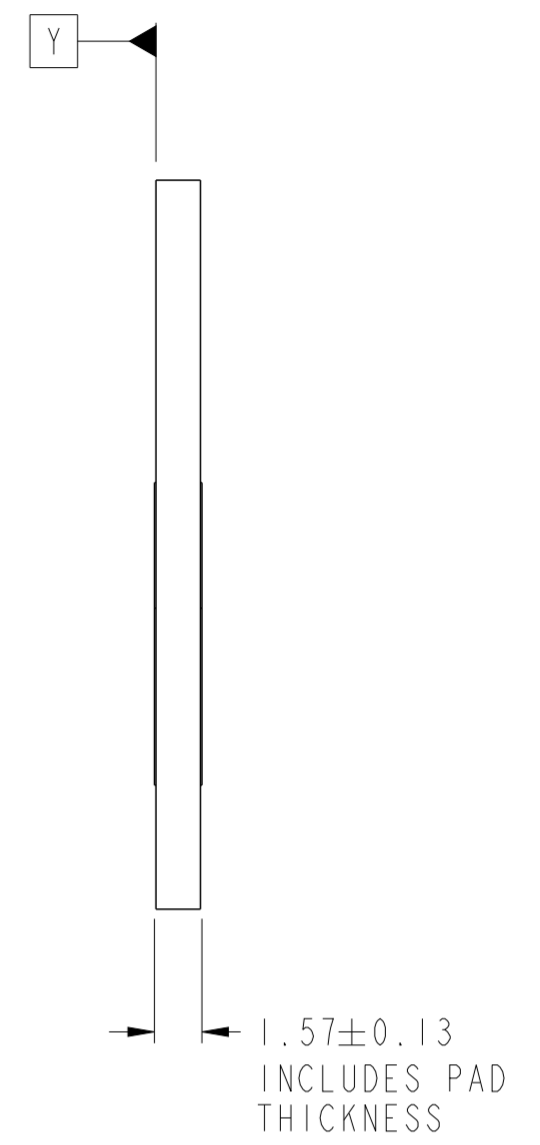
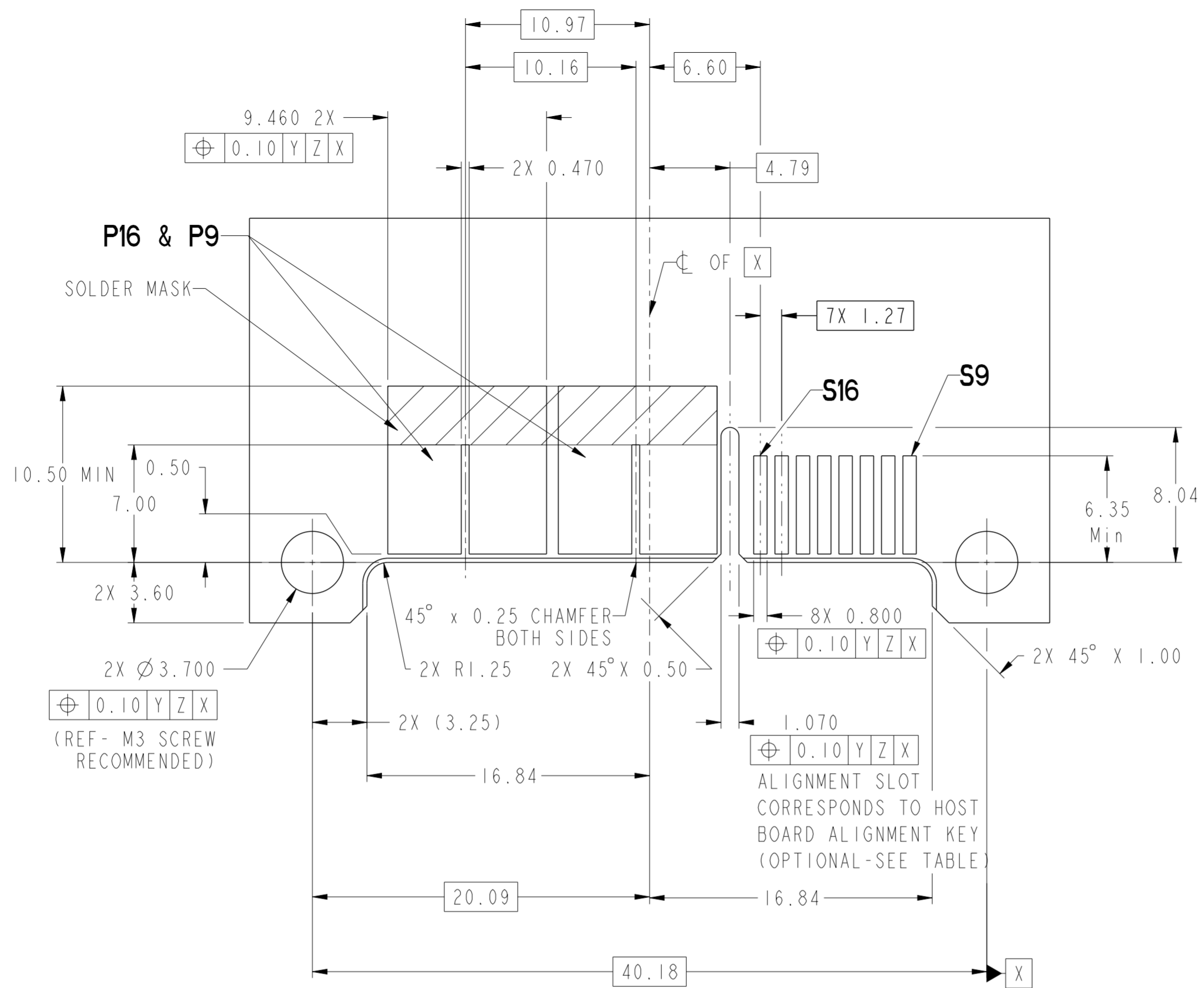
PDS: Rev :C

STATUS:Released

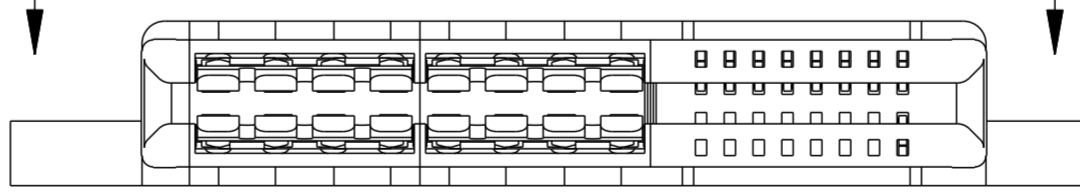
Printed: May 24, 2016

Amphenol FCI

© 2016 AFCI



RECOMMENDED PCB LAYOUT AS VIEWED



| | | | | | | | | | | | |
|---------------------------------------|--------------------------------------|---------|----------------|--------------|------------|----------|----------------|---|-----------|-----------|----------|
| spec ref | - | dr | Wei-Long Zhang | 2011/05/11 | projection | MM | size | A2 | scale | 3:1 | |
| tolerance std | ASME Y14.5 | eng | Sunny2 Liu | 2016/05/18 | | | ecn no | ELX-DG-24036-1 | rel level | Released | |
| TOLERANCES UNLESS OTHERWISE SPECIFIED | | chr | Terris Liu | 2016/05/20 | | | product family | CARD EDGE | | rel level | Released |
| surface | ASME Y14.5 | appr | Pai-Ming Zheng | 2016/05/24 | | | title | RECEPTACLE (16P-16S) HPCE - (STRADDLE MOUNT) | | cat. no. | - |
| linear | 0.X ±0.3 0.XX ±0.1 0.XXX ±0.05 | angular | 0° ±2° | Amphenol FCI | no | 10118169 | rev | C | | | |

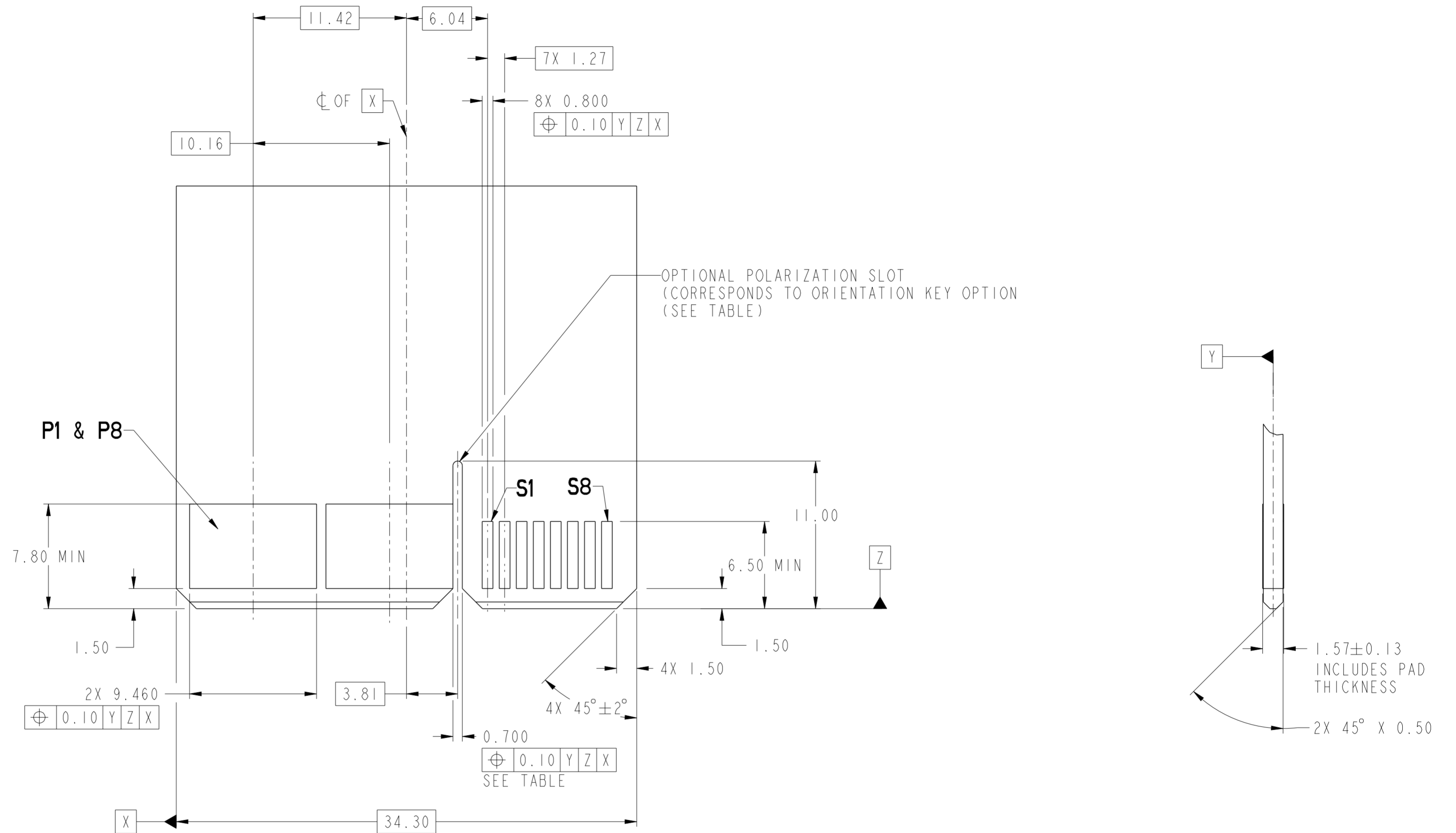
PDS: Rev :C

STATUS:Released

Printed: May 24, 2016

Amphenol FCI

© 2016 AFCI



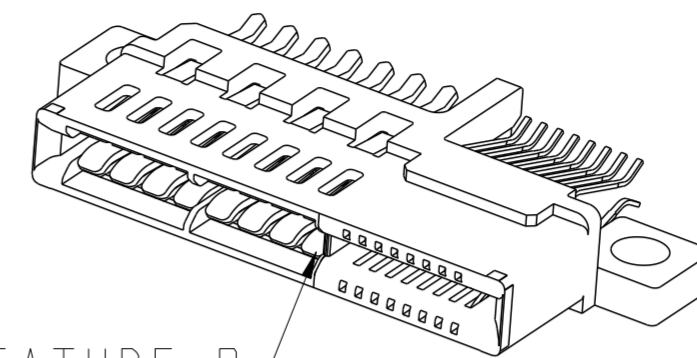
RECOMMENDED MATING BOARD FOOTPRINT

| | | | | | | | | | | | |
|---------------------------------------|--------------------------------------|----------|----------------|---|------------------------|--------------------|----------------|----------------|-------|-----|--|
| spec ref | - | dr | Wei-Long Zhang | 2011/05/11 | projection | MM | size | A2 | scale | 1:1 | |
| tolerance std | ASME Y14.5 | eng | Sunny2 Liu | 2016/05/18 | | | ecn no | ELX-DG-24036-1 | | | |
| TOLERANCES UNLESS OTHERWISE SPECIFIED | | chr | Terris Liu | 2016/05/20 | | | rel level | Released | | | |
| surface | ASME Y14.5 | appr | Pai-Ming Zheng | 2016/05/24 | | | product family | - | | | |
| linear | 0.X ±0.3 0.XX ±0.1 0.XXX ±0.05 | | | title RECEPTACLE (16P-16S) HPCE - (STRADDLE MOUNT) | | dwg no 10118169 | rev C | | | | |
| angular | 0° ±2° | cat. no. | - | | Product - Customer Drw | sheet 3 of 4 | | | | | |

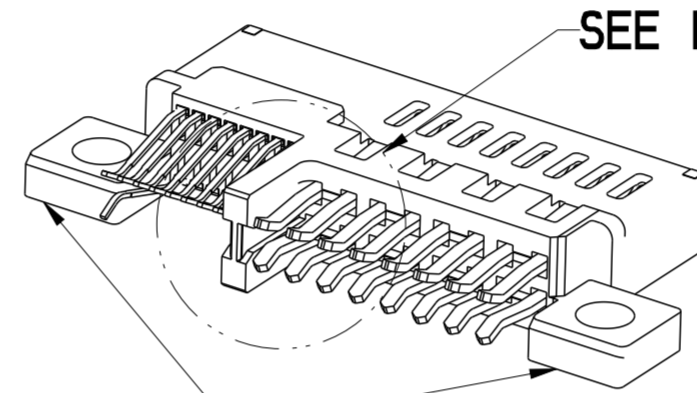
Amphenol FCI

© 2016 AFCI

| PART NUMBER | FEATURE C HOST BOARD ALIGNMENT KEY (SEE NOTE 8) | FEATURE A MOUNTING EARS | FEATURE B FRONT POLARIZATION KEY |
|----------------|--|----------------------------|---|
| 10118169-001LF | YES | YES | NO |
| 10118169-002LF | | YES | YES |
| 10118169-003LF | | NO | NO |
| 10118169-004LF | | NO | YES |
| 10118169-005LF | NO | YES | NO |
| 10118169-006LF | | YES | YES |
| 10118169-007LF | | NO | NO |
| 10118169-008LF | | NO | YES |

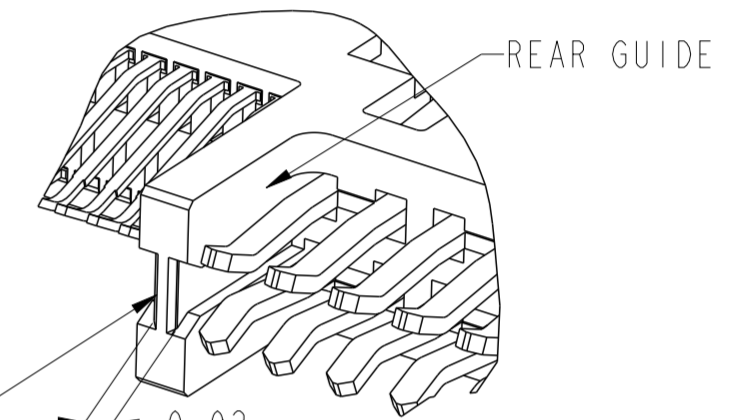


FEATURE B



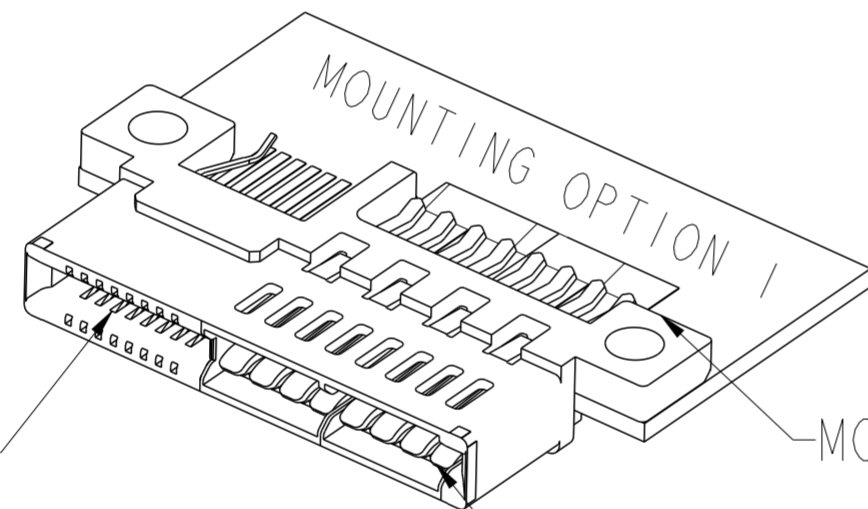
SEE DETAIL A

FEATURE A



FEATURE C
0.92
ALIGNMENT KEY

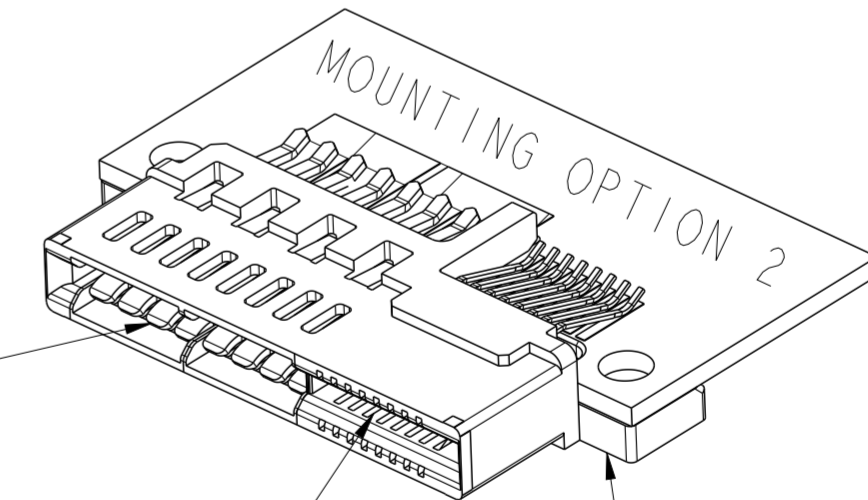
DETAIL A
SCALE 4:1



16 SIGNAL PINS

MOUNTING EARS ARE UP

16 POWER PINS




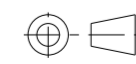

16 POWER PINS

16 SIGNAL PINS

MOUNTING EARS ARE DOWN

NOTES:

- CONNECTOR MATERIALS:
HOUSING: HIGH TEMPERATURE THERMAL PLASTIC, BLACK
UL 94V-0 COMPLIANT
CONTACTS: HIGH PERFORMANCE COPPER ALLOY.
- CONTACT FINISH REF. GS-12-604 SECTION 5.2.
- PRODUCT SPECIFICATION: GS-12-604.
- APPLICATION SPECIFICATION: GS-20-128.
- PRODUCT MARKING ON HOUSING IN AREA SHOWN MEETS AFCI SPECIFICATION: GS-24-007.
- PACKAGING MEETS FCI SPECIFICATION GS-14-937.
- HOUSING COMPONENT WILL WITHSTAND EXPOSURE TO 260°C PEAK TEMPERATURE FOR 60 SECONDS IN A CONVECTION, INFRA-RED, OR VAPOR PHASE REFLOW OVEN.
- HOST BOARD ALIGNMENT KEY IS RECOMMENDED TO ENSURE PROPER ALIGNMENT OF SOLDER TAILS WITH HOST BOARD PADS.
- A SYMBOL  WILL BE NEXT TO ANY DIMENSION, VIEW, OR NOTE WHICH HAS BEEN MODIFIED WITH THE CURRENT DRAWING REVISION.

| | | | | | | | | | | |
|---------------------------------------|------------|-------|----------------|---|---|--------------|----------|----------------|-----------|----------|
| spec ref | - | dr | Wei-Long Zhang | 2011/05/11 | projection | MM | size | A2 | scale | 4:1 |
| tolerance std | ASME Y14.5 | eng | Sunny2 Liu | 2016/05/18 |  | MM | ecn no | ELX-DG-24036-1 | rel level | Released |
| TOLERANCES UNLESS OTHERWISE SPECIFIED | | chr | Terris Liu | 2016/05/20 | | | | | | |
| surface | linear | 0.X | ±0.3 |  | RECEPTACLE (16P-16S) | | cat. no. | 10118169 | rev | C |
| | | 0.XX | ±0.1 | | HPCE - (STRADDLE MOUNT) | | | | | |
| | angular | 0.XXX | ±0.05 | | Product - Customer Drw | | | | | |
| ASME Y14.5 | | 0° | ±2° | Product - Customer Drw | | sheet 4 of 4 | | | | |