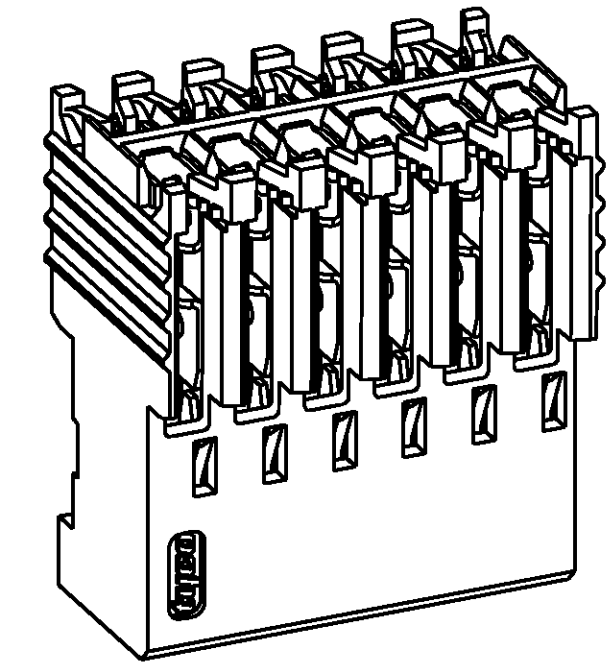
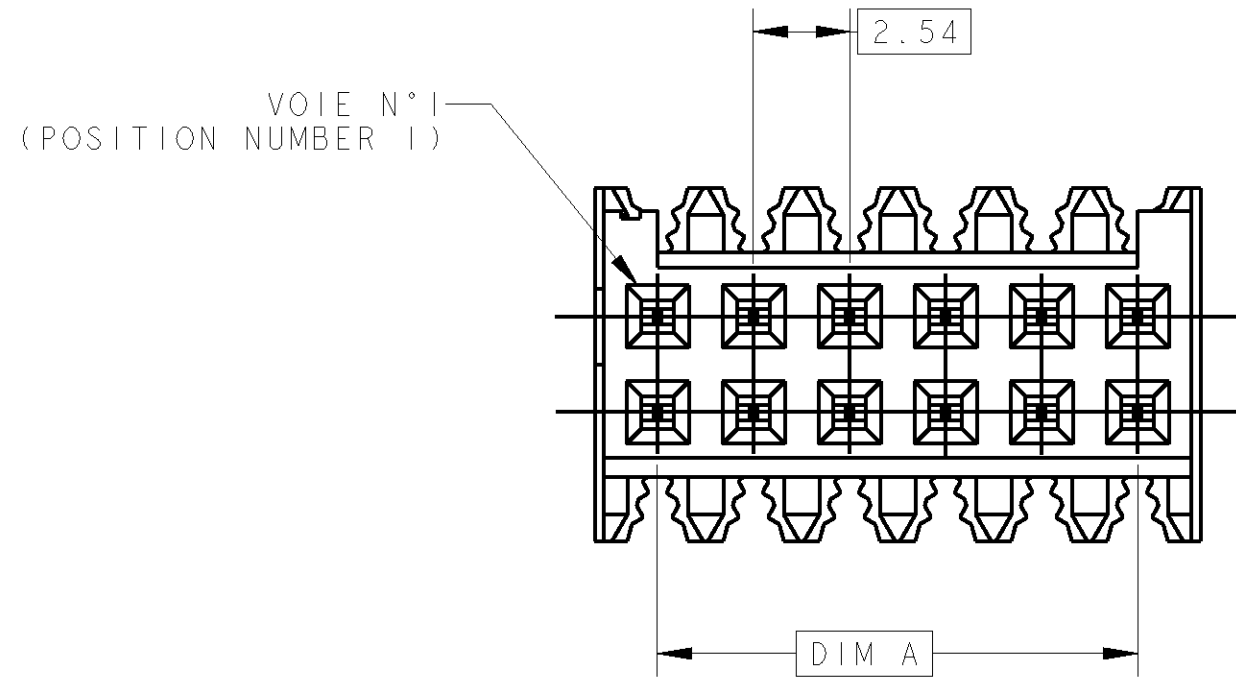


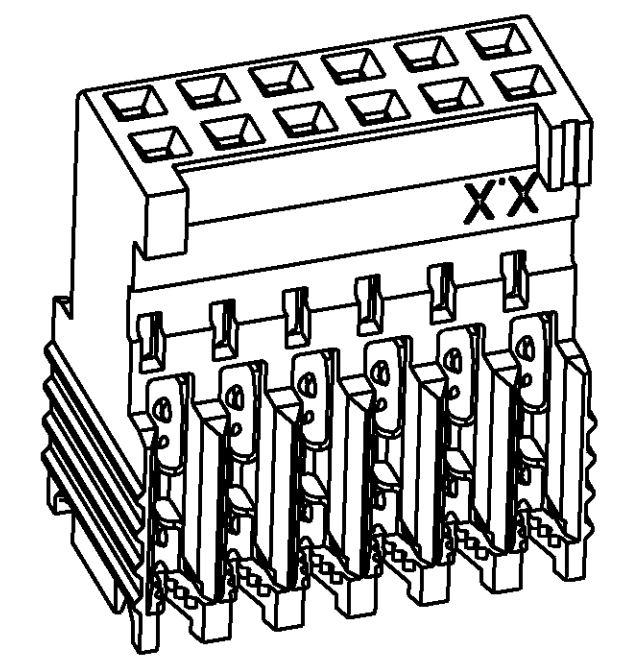
THIS DRAWING IS UNPUBLISHED. DIFFUSION RESTREINTE  
 RELEASED FOR PUBLICATION LIBRE A LA DIFFUSION  
 BY TYCO ELECTRONICS CORPORATION. ALL RIGHTS RESERVED. TOUS DROITS RESERVES

FILS ADMISSIBLES (ACCEPTABLE WIRES)	
JAUGE (AWG) SECTION / 7 BRINS (7 STRANDS)	28-26 0.08-0.12mm <sup>2</sup>
ISOLANT: Ø MAX / MATIERE (INSUL.: Ø MAX / MAT'L)	Ø 1 / PVC

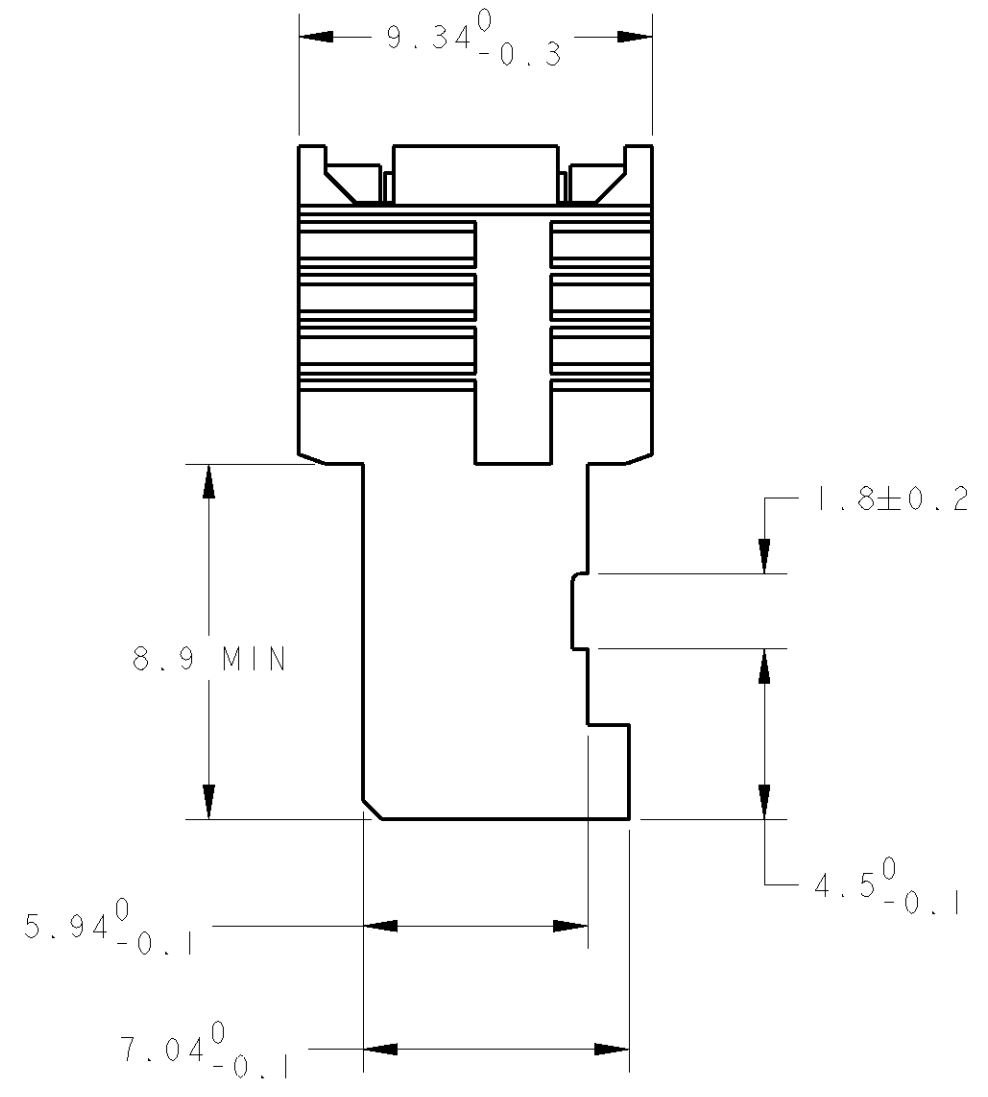
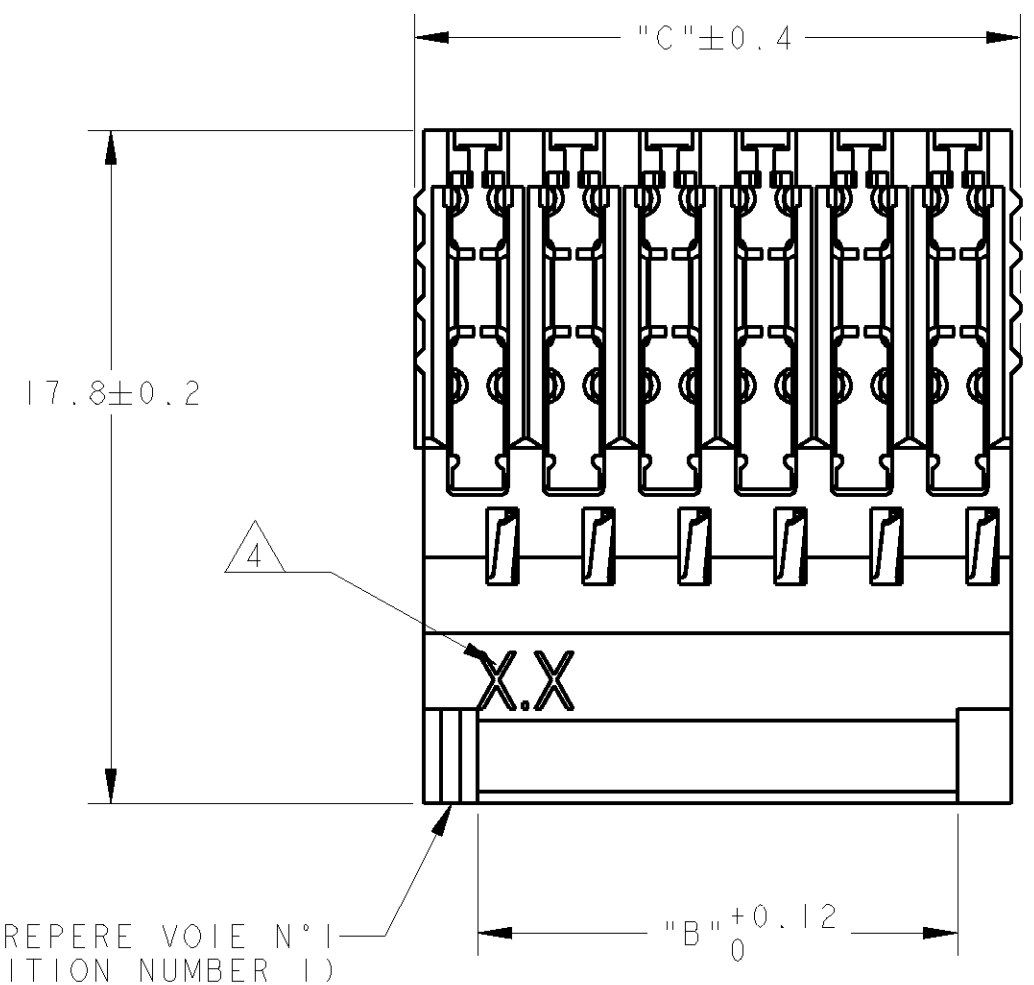
REVISIONS					
P	LTR	DESCRIPTION MODIFICATIONS	DATE	DWN DESS.	APVD APP.
A		REDESSINE	06/90	AC	-
B		REDESSINE SUR (REDRAWN ON) PRO/ENG	13SEP2002	CC	YP
C		UPDATED	28MAR2007	TC	YP



ECHELLE 4:1  
SCALE



ECHELLE 4:1  
SCALE



- 1 CES CONNECTEURS SONT PREVUS POUR ETRE ACCOUPLES AVEC LES EMBASES 'HE1402' DOUBLE RANGEE
- 2 LES REFERENCES SUIVIES D'UN ' \* ' SONT LES VERSIONS NORMALISEES SELON LA 'CEI 603-8'
- 3 REVETEMENT DES CONTACTS: ETAME
- 4 "X.X" EST REMPLACE PAR LES DEUX DEUXIEME CHIFFRES DU COUPLE DES JAUGES AWG
- 5 MATIERES - BOITIER: PBT UL94V0  
- CONTACTS: BRONZE PHOSPHOREUX.

- (THESE CONNECTEURS ARE DESIGNED TO BE MATED WITH 'HE1402' HEADERS DOUBLE ROW)
- (THE PART-N<sub>0</sub> FOLLOWED BY ' \* ' ARE COVERED BY THE INTERNATIONAL STANDARD 'IEC603-8')
- (CONTACTS PLATING: TIN)
- ("X.X" REPLACED BY THE TWO SECOND DIGIT OF AWG RANGE AS DEFINED IN TABLE)
- (MATERIAL - HOUSING : PBT UL94V0  
- CONTACTS: PHOSPHOR BRONZE)

46.52	43.18	2x 18	1- 281792-8 *
38.90	35.56	2x 15	1- 281792-5 *
31.28	27.94	2x 12	1- 281792-2 *
26.20	22.86	2x 10	1- 281792-0 *
21.12	17.78	2x 8	0- 281792-8 *
16.04	12.70	2x 6	0- 281792-6 *
13.50	10.16	2x 5	0- 281792-5 *
10.96	7.62	2x 4	0- 281792-4 *
8.42	5.08	2x 3	0- 281792-3 *
5.88	2.54	2x 2	0- 281792-2 *
"C"	"A,B"	Nb DE POS.	REFERENCES (PART N°)
DIMENSIONS			

THIS DRAWING IS A CONTROLLED DOCUMENT FOR TYCO ELECTRONICS CORPORATION. IT IS SUBJECT TO CHANGE AND THE CONTROLLING ENGINEERING ORGANIZATION SHOULD BE CONTACTED FOR THE LATEST REVISION. CE PLAN EST UN DOCUMENT CONTROLE PAR AMP INCORPORATED. IL EST SUSCEPTIBLE D'ETRE REVISE, CONTACTER LE SERVICE TECHNIQUE D'AMP DE FRANCE POUR OBTENIR LA DERNIERE REVISION.		DWN/DESSINE 29NOV2000 C. COMBEDOUZON CHK/VERIFIE 29NOV2000 T. CORRIOU APVD/APPROUVE 29NOV2000 Y. PETRONIN	AMP DE FRANCE 95301 PONTOISE
DIMENSIONS: mm	TOLERANCES UNLESS OTHERWISE SPECIFIED: (SUIV NB DE DECIMALES) 0 PLC/DEC: ± 1 PLC/DEC: ±0.3 2 PLC/DEC: ± 3 PLC/DEC: ± 4 PLC/DEC: ± ANGLES ±5°	NAME TITRE HE 1402 PLUG, 180° IDC DOUBLE ROW	SIZE FORMAT A2
MATERIAL/MATIERE 5	FINISH/FINITION 3	PRODUCT SPEC SPEC, PRODUIT 108-15053	CAGE CODE 00779
CUSTOMER DRAWING /PLAN CLIENT		APPLICATION SPEC SPEC, APPLICATION 114-15031	DRAWING NO No PLAN C-281792
WEIGHT MASSE APPROX. -		UNIFORMITY POUR REFERENCE	SHEET FEUILLE OF DE REV C