

DETAILS

Product Number	FP11857_LISA2-O-90-CLIP
Family	Lisa
Type	Assembly
Color	black
Diameter	9,9 mm
Height	6,6 mm
Style	round
Optic Material	PMMA
Holder Material	
Fastening	clips, glue
Status	production ready
ROHS Compliant	Yes
Date Updated	18/08/2014



OPTICAL PROPERTIES

LED	Viewing	Light	Effi-		
	Angle	Beam	ciency	cd/lm	Connector
Oslo SSL 80	48+19 deg	O-90	80 %	-	-
Oslo SSL 150	48+19 deg	O-90	78 %	-	-

D

C

B

A

4

4

3

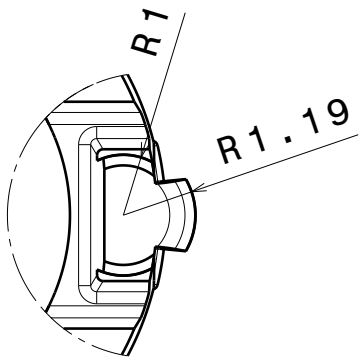
3

2

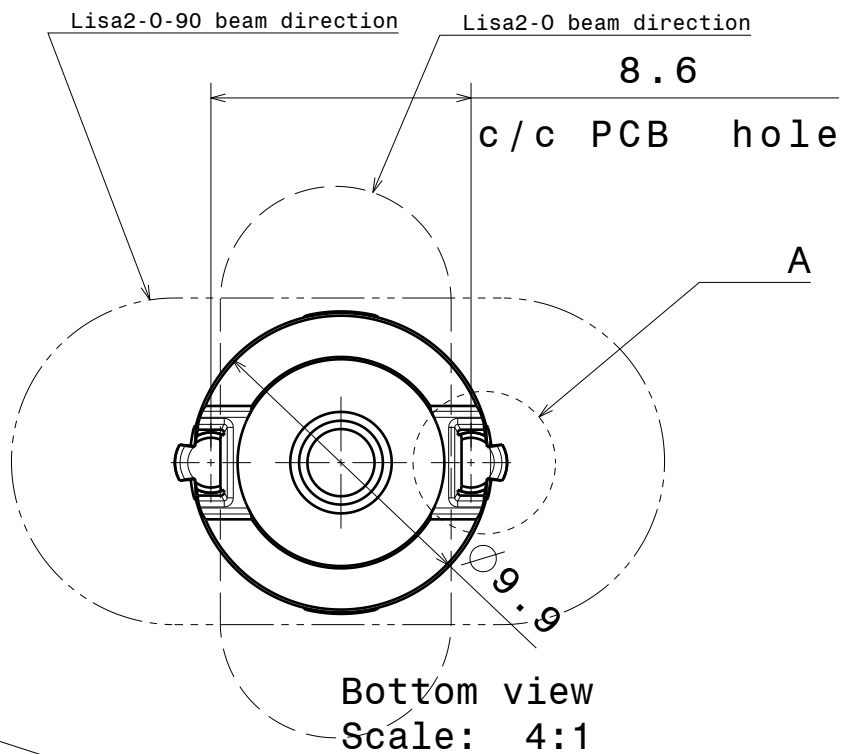
2

1

1



Detail A
Scale: 8:1

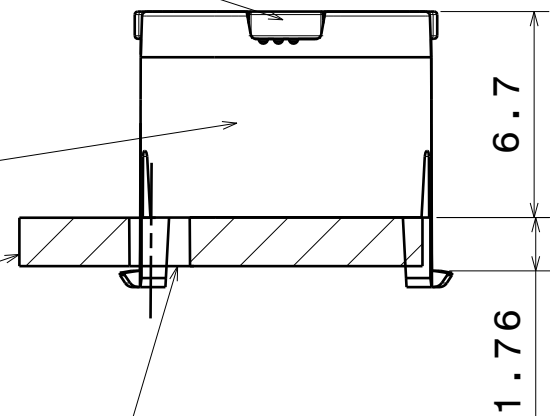


Bottom view
Scale: 4:1

Lens

Holder

Reference PCB



Front view
Scale: 4:1

Materials:
Lens PMMA
Holder PC

Note:
Take tolerances
into account
when specifying
positioning
holes for PCB

This drawing is our property.
It can't be reproduced
or communicated without
our written agreement.



Ledil Oy
Tehdaskatu 13
FIN-24100 SALO
Finland

DRAWING TITLE

Datasheet Lisa2-clip16-0SL series Assy

DRAWN BY ch		DATE 20.7.2011		DRAWING NUMBER				REV 2	
CHECKED BY sn		DATE 20.7.2011		SIZE A4	DRAWING NUMBER			REV 2	
DESIGNED BY hh		DATE 19.10.2009		SCALE 4:1	WEIGHT (g)		SHEET 1/1		

D

A

NOTE: The typical divergence will be changed by different color, chip size and chip position tolerance. The typical total divergence is the full angle measured where the luminous intensity is half of the peak value.