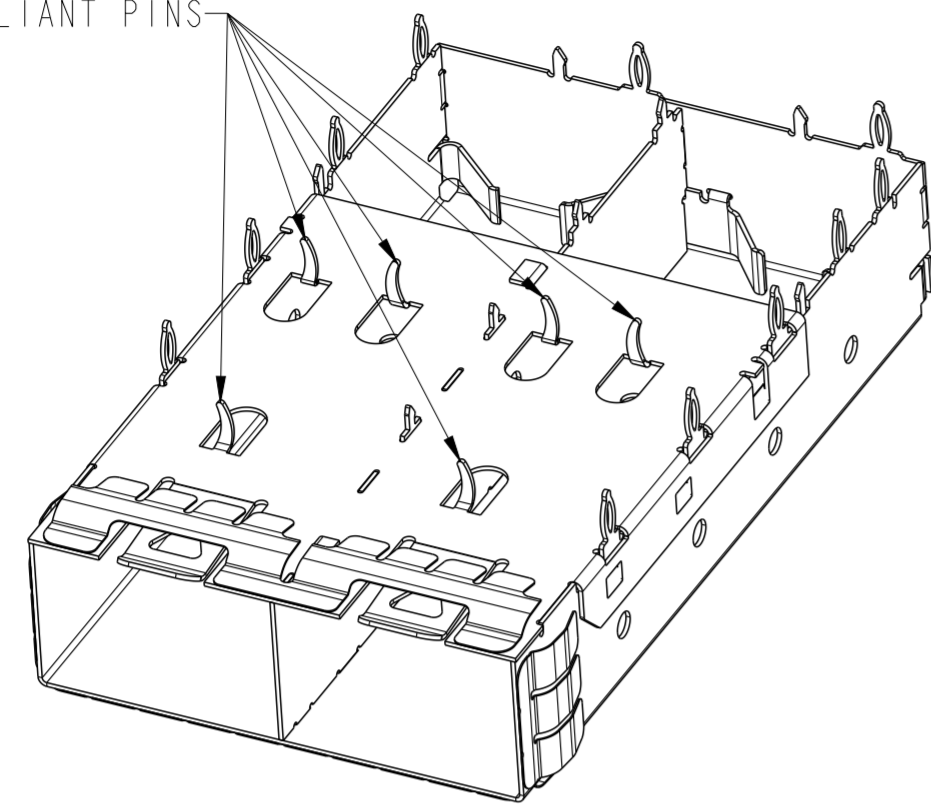
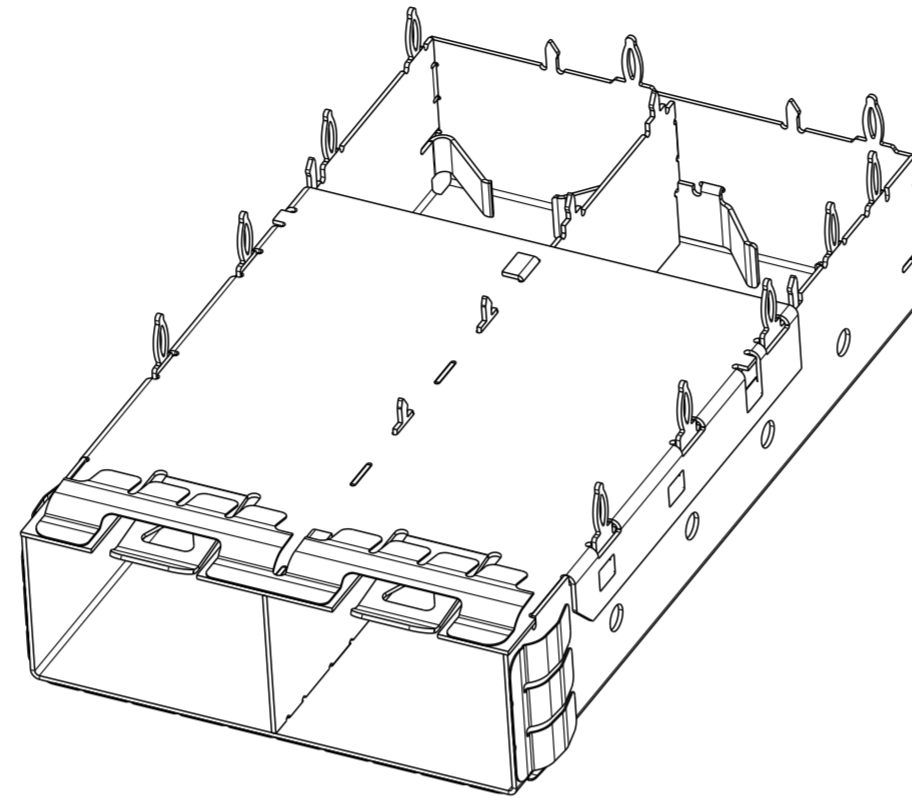


Product Number	Type	Packaging
10128841-001LF	WITH COMPLIANT PINS	Tray
10128841-002LF	WITHOUT COMPLIANT PINS	Tray

COMPLIANT PINS



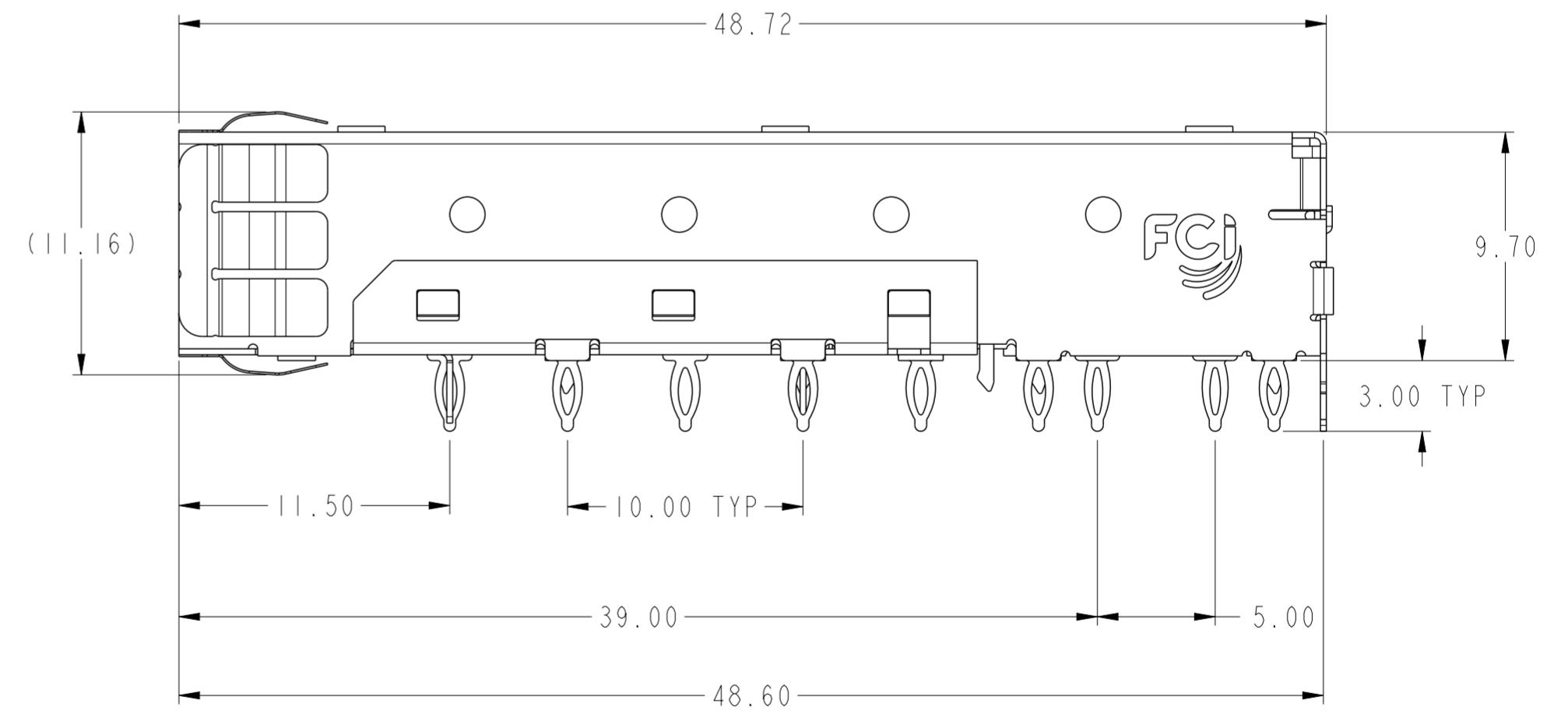
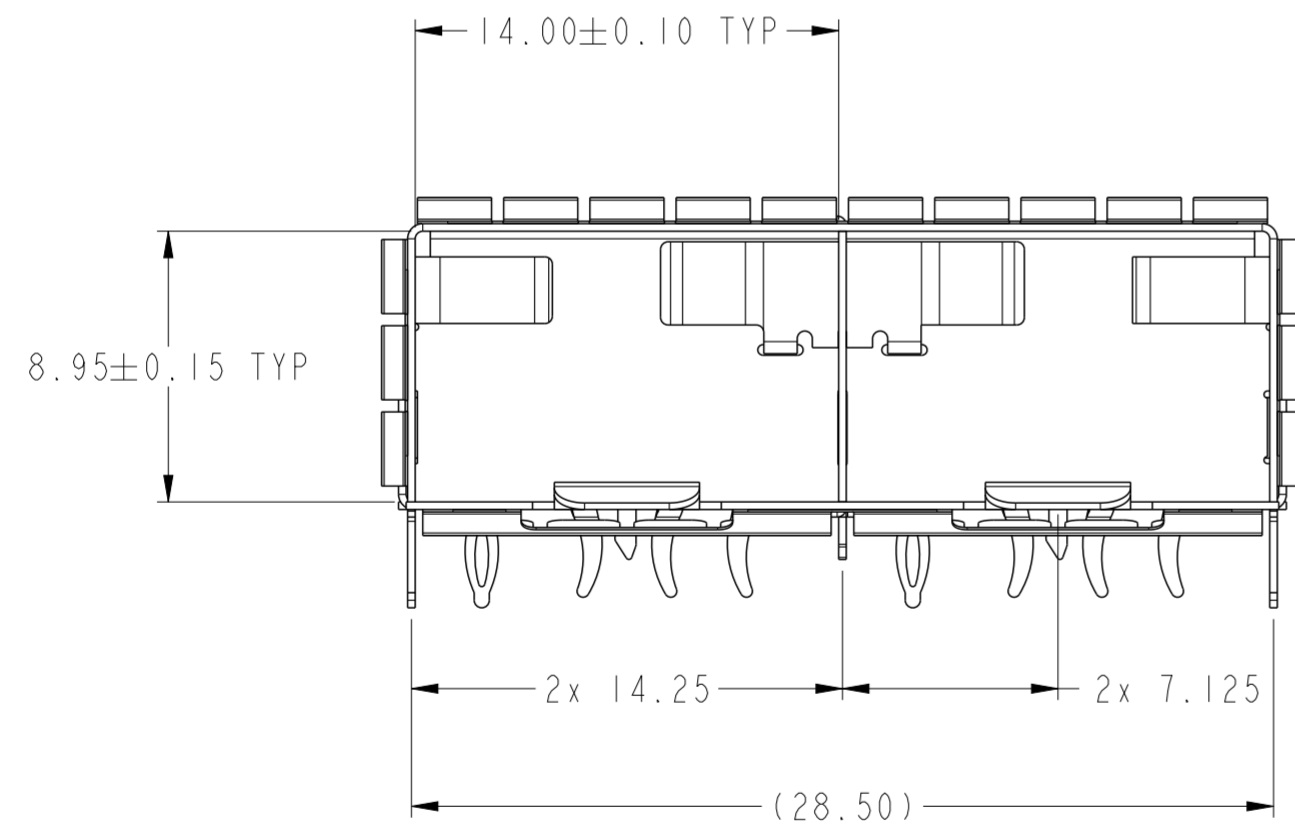
10128841-001LF
SCALE 5:2



10128841-002LF
SCALE 5:2

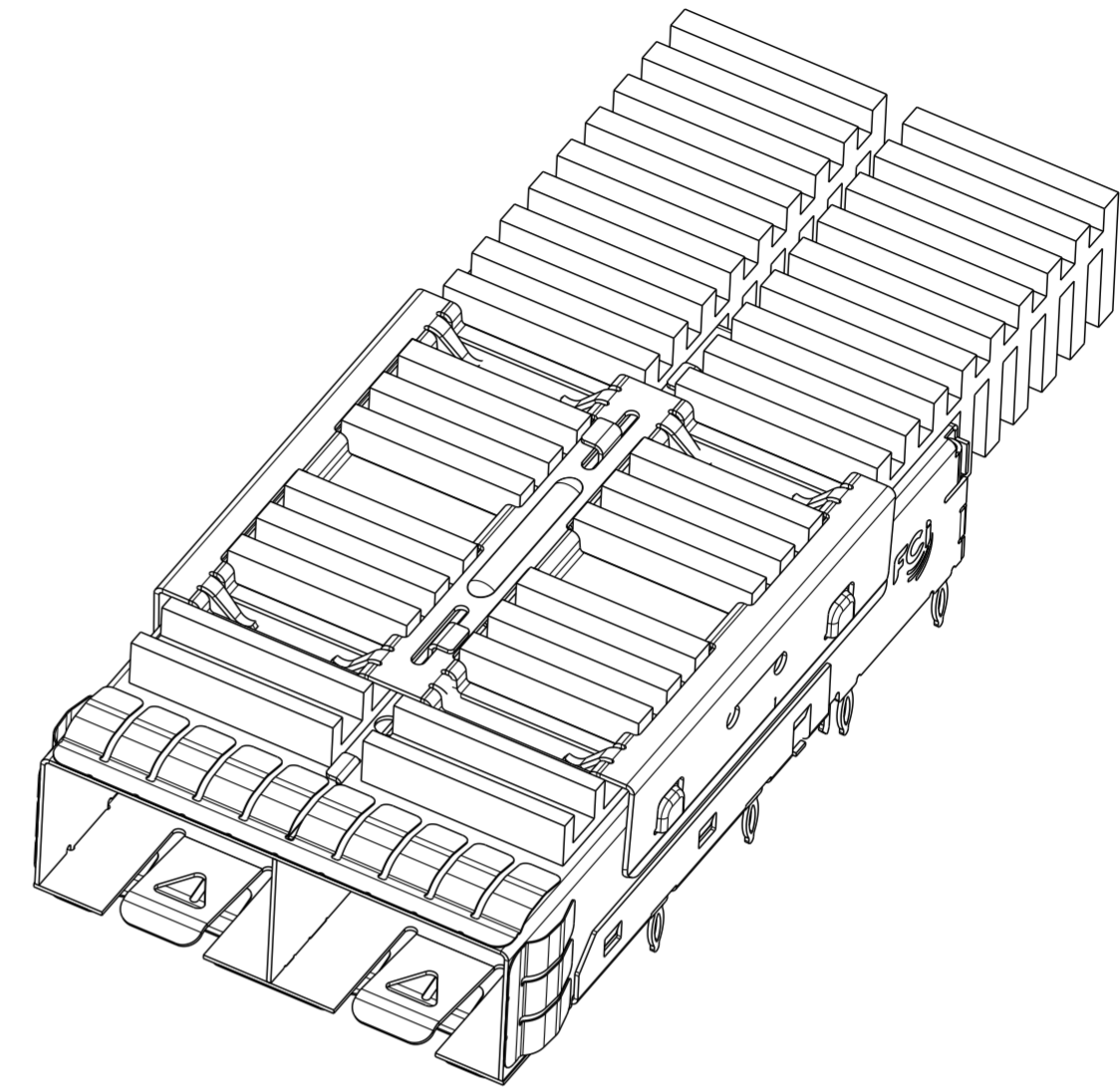
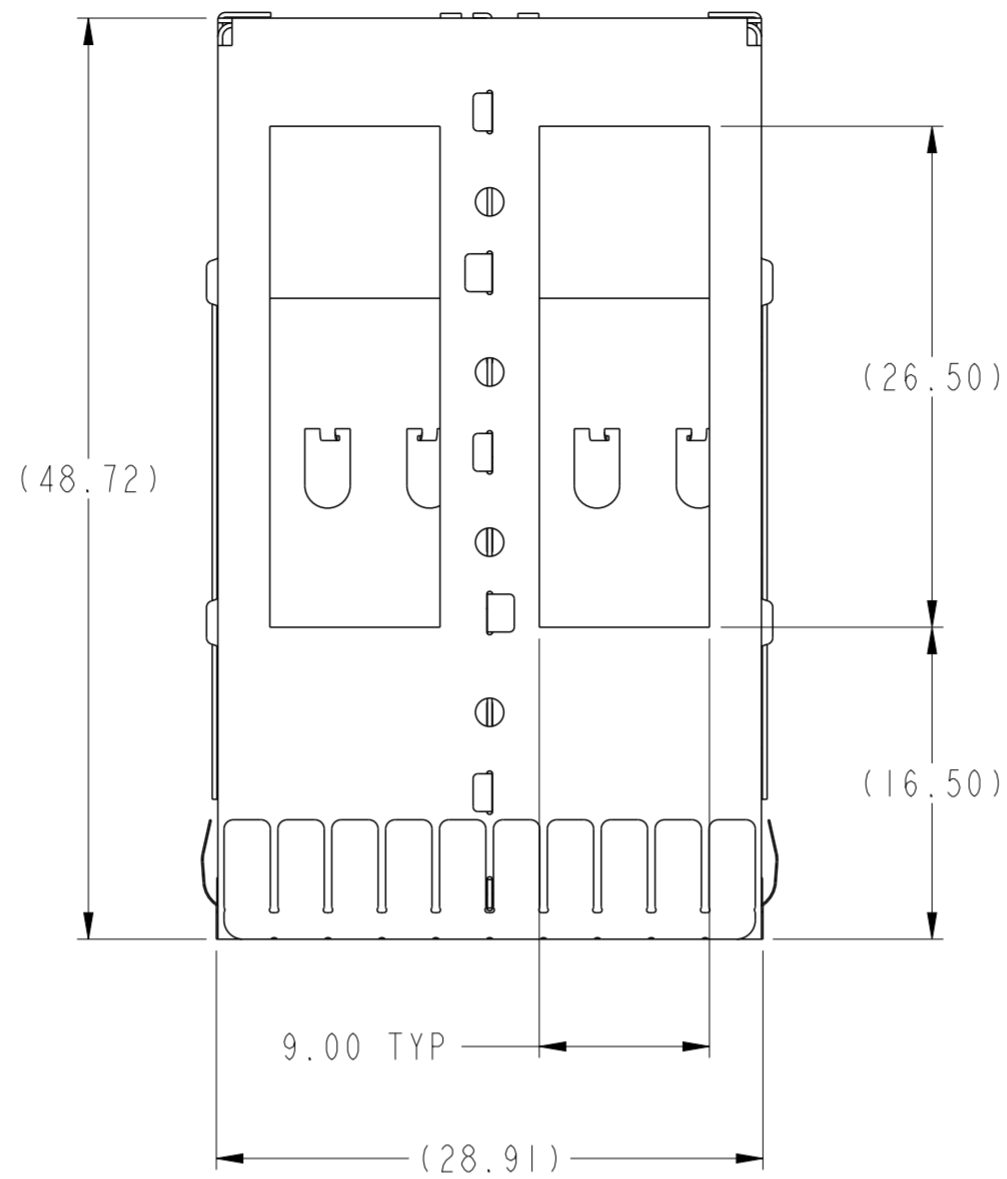
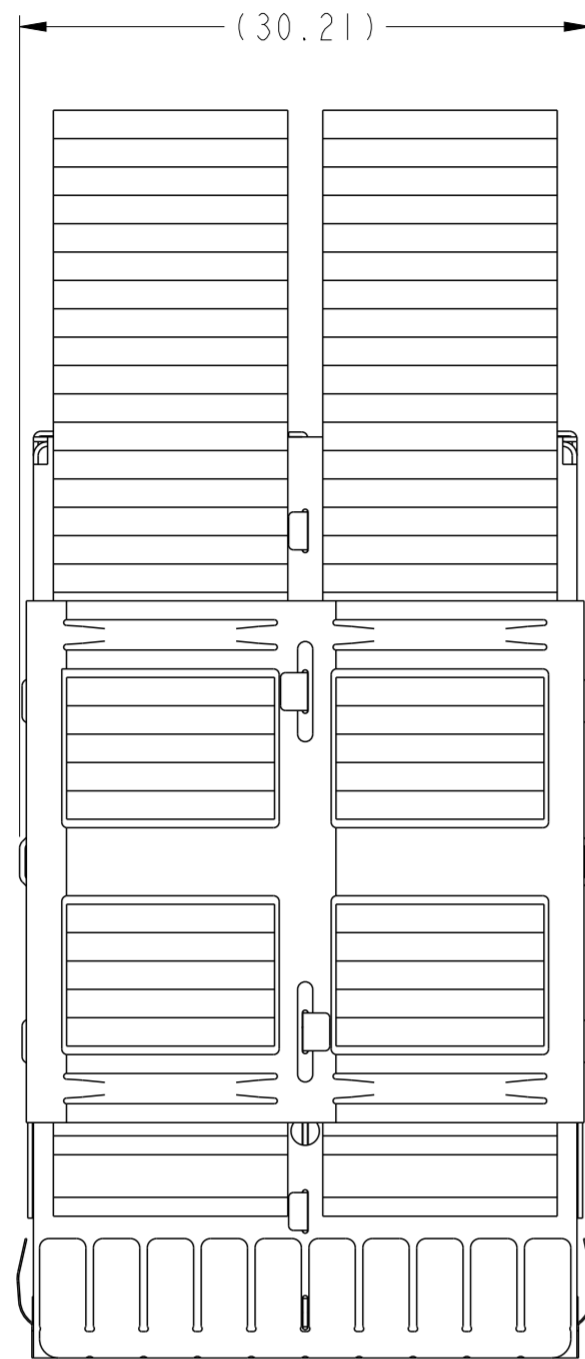
NOTES:

- | | | | |
|----------------|------|------------------------|-------------------------|
| 1, DESCRIPTION | Q'TY | MATERIAL | PLATING |
| CAGE ASSEMBLY | 1PCS | COPPER ALLOY T=0.25 | Ni PLATED |
| EMI SPRING | 4PCS | COPPER ALLOY T=0.08 | Ni PLATED |
| CLIP | 1PCS | STAINLESS STEEL T=0.30 | N/A |
| HEAT SINK | 2PCS | ALUMINUM ALLOY | BLACK ANODIZING COATING |
| LIGHTPIPE | 2PCS | POLYCARBONATE.CLEAR | N/A |
- 2, PRODUCT SPECIFICATION: GS-12-1165
3, APPLICATION SPECIFICATION: GS-20-0384
4, PACKAGE PER GS-14-2344 AND GS-14-920

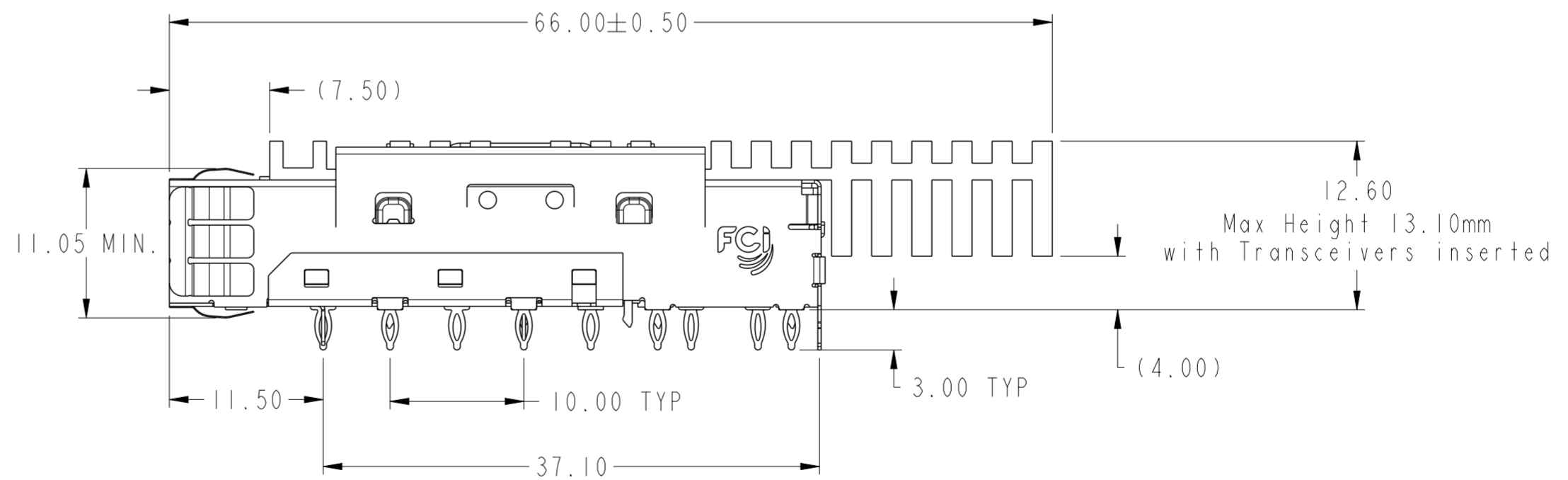
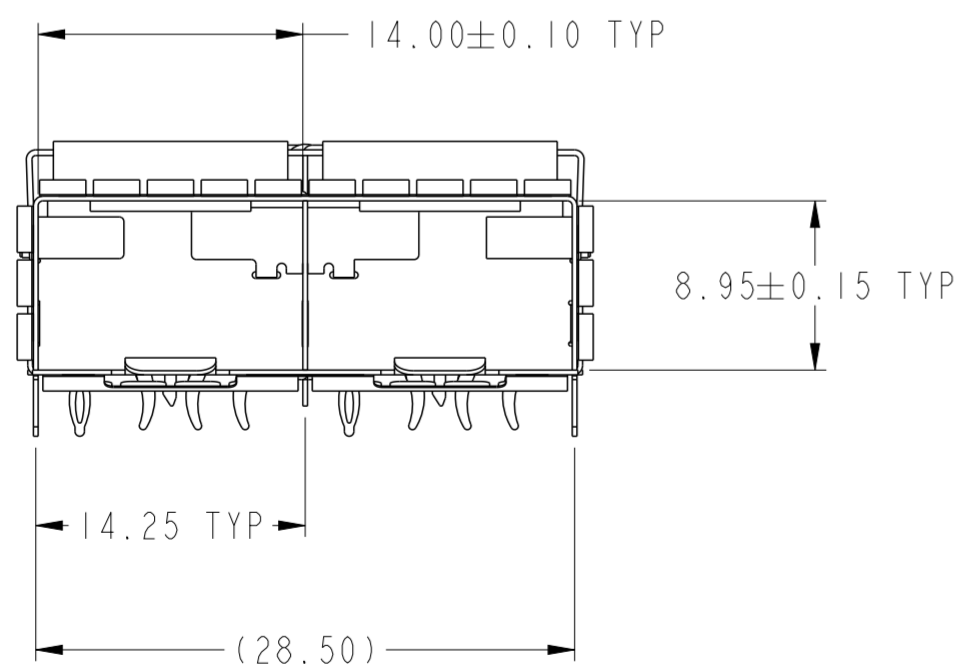


spec ref	dr	Art Lin	2014/04/21	projection	mm	size	A2	scale	5:2	
tolerance std	eng	Art Lin	2015/02/09		mm	ecn no	-	rel level	Released	
ISO 406 ISO 1101	chr	-	product family							SFP+
surface ✓ ISO 1302	linear	0.X	±0.25		title SFP+ 1X2 CAGE ASSEMBLY LOW PROFILE, SPRING FINGER	dwg no 10128841	rev A	Product - Customer Drw		
	angular	0°	±1°					cat. no.	-	sheet 1 of 11
	www.fci.com									

Product Number	Packaging
10128841-101LF	Tray



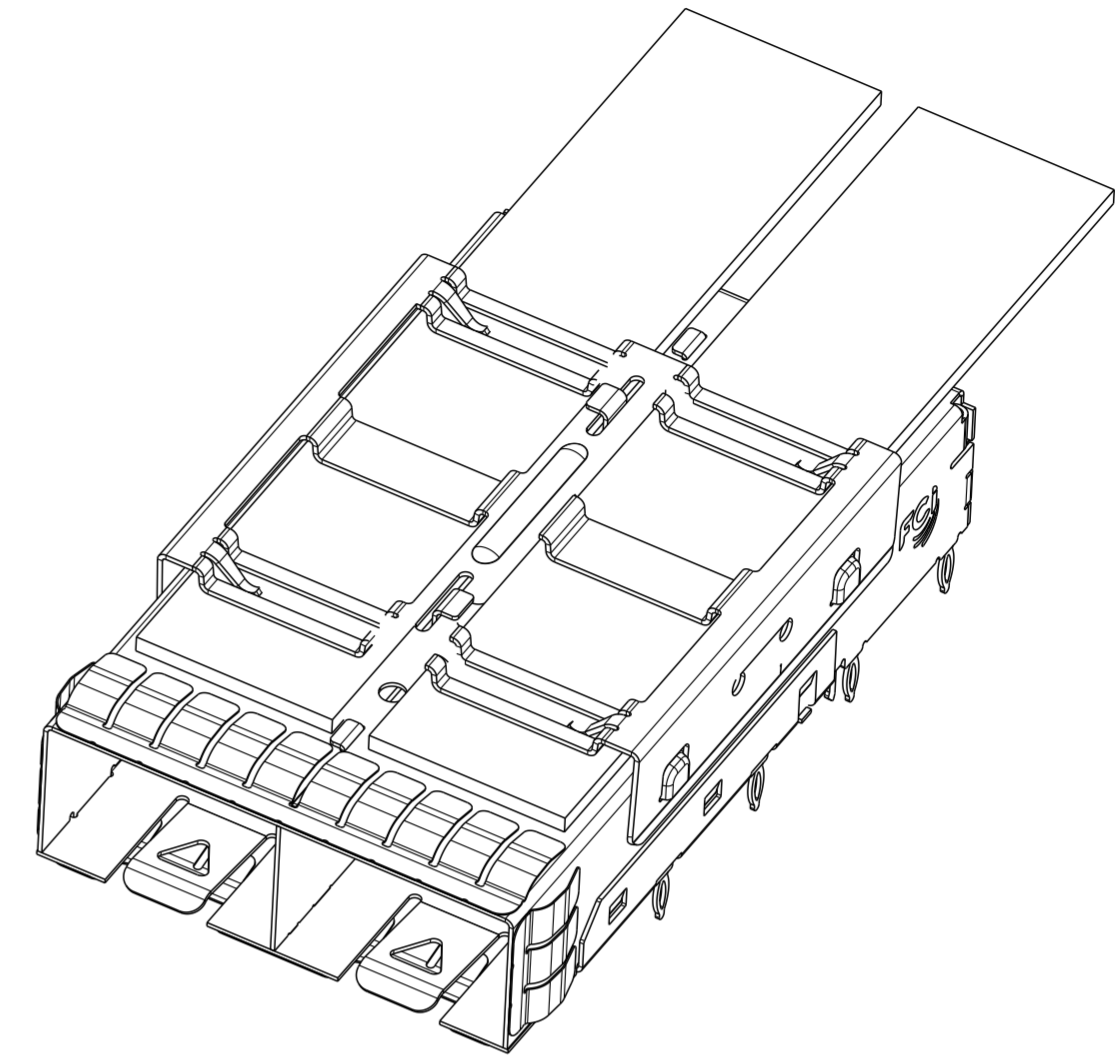
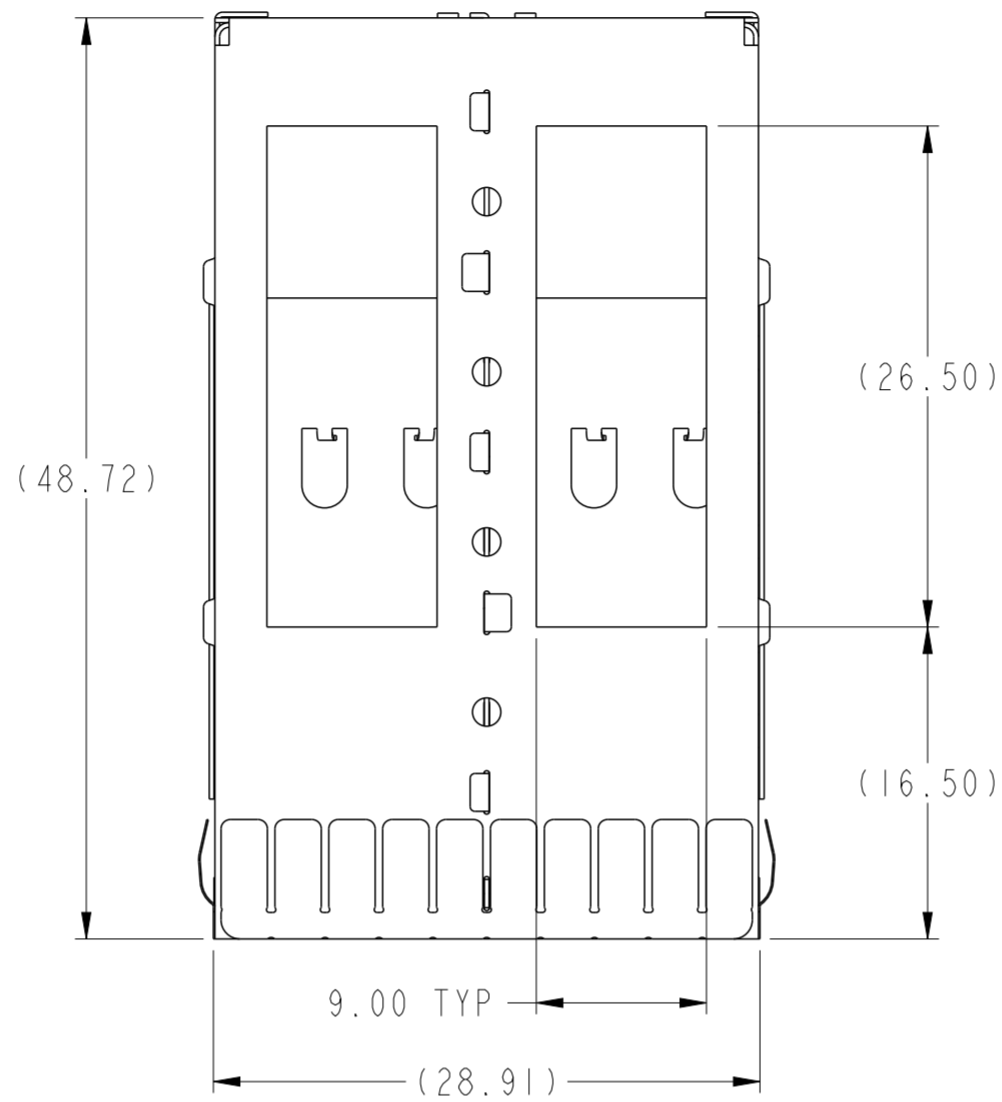
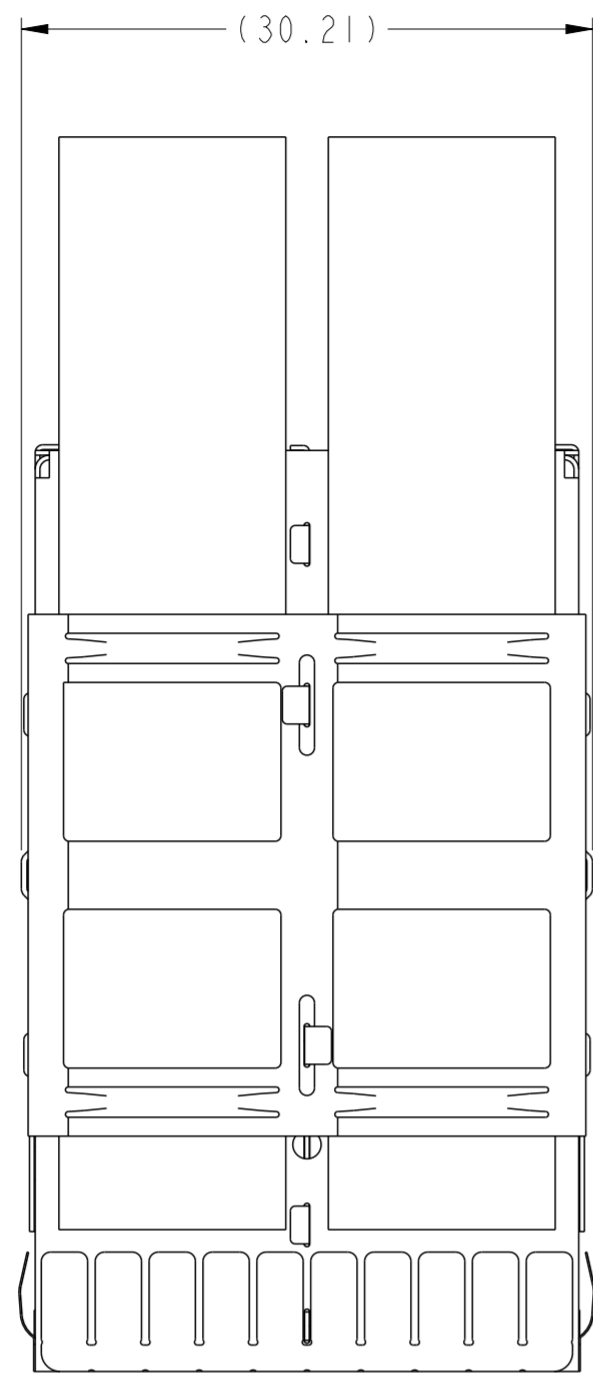
ASSEMBLY VIEW
SCALE 5:2



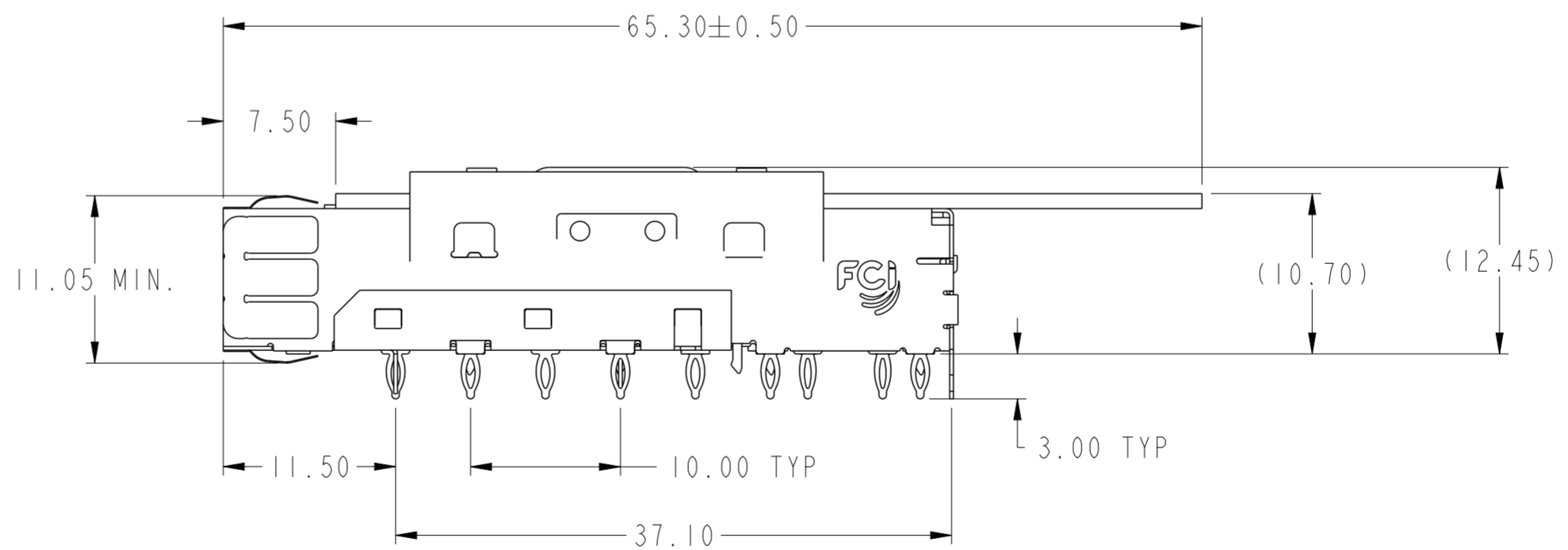
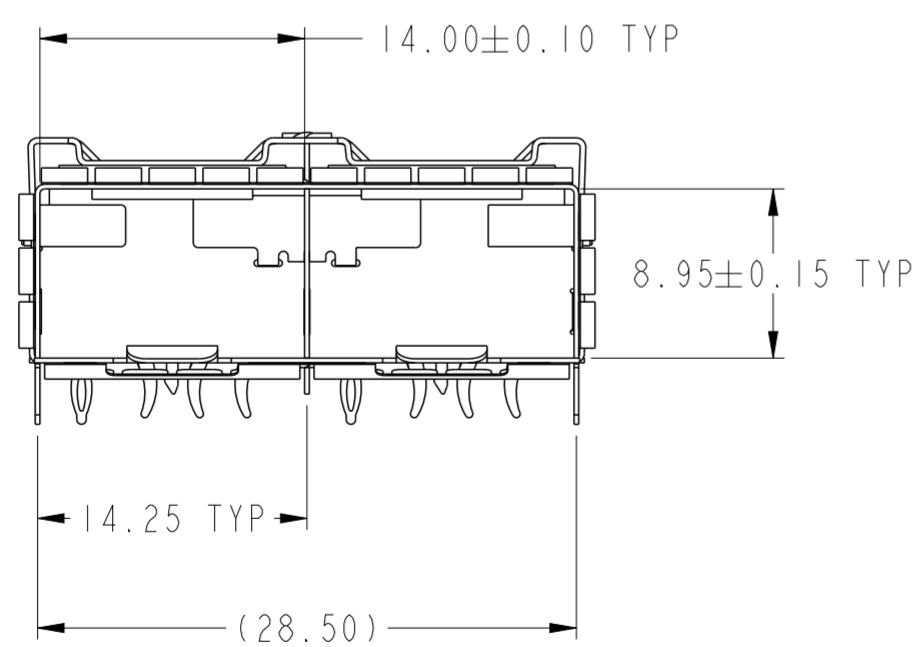
Copyright FCI.

spec ref	dr	Art Lin	2014/04/21	projection	mm	size	A2	scale	5:2
tolerance std	eng	Art Lin	2015/02/09		mm	ecn no	-	rel level	Released
ISO 406 ISO 1101	chr	-	product family						
TOLERANCES UNLESS OTHERWISE SPECIFIED	appr	Collins Lu	2015/02/09			SFP+ 1X2 CAGE ASSEMBLY LOW PROFILE, SPRING FINGER		dwg no 10128841	rev A
surface	linear	0.X	±0.25	www.fci.com		cat. no.		Product - Customer Drw	
ISO 1302	angular	0.XX	±0.15					sheet 2 of 11	
		0.XXX	±0.05						
		0°	±1°						

Product Number	Packaging
1012884I-102LF	Tray



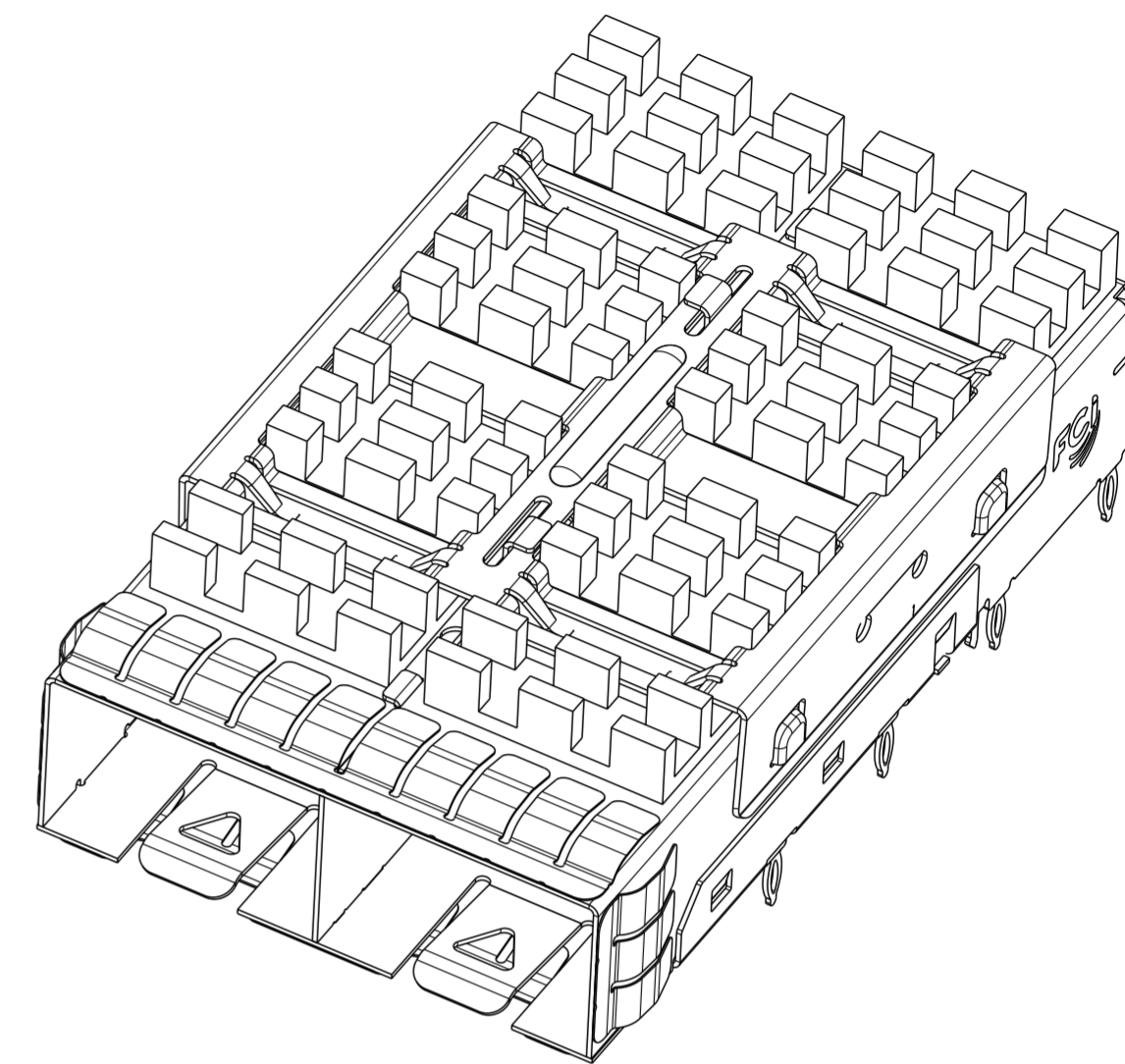
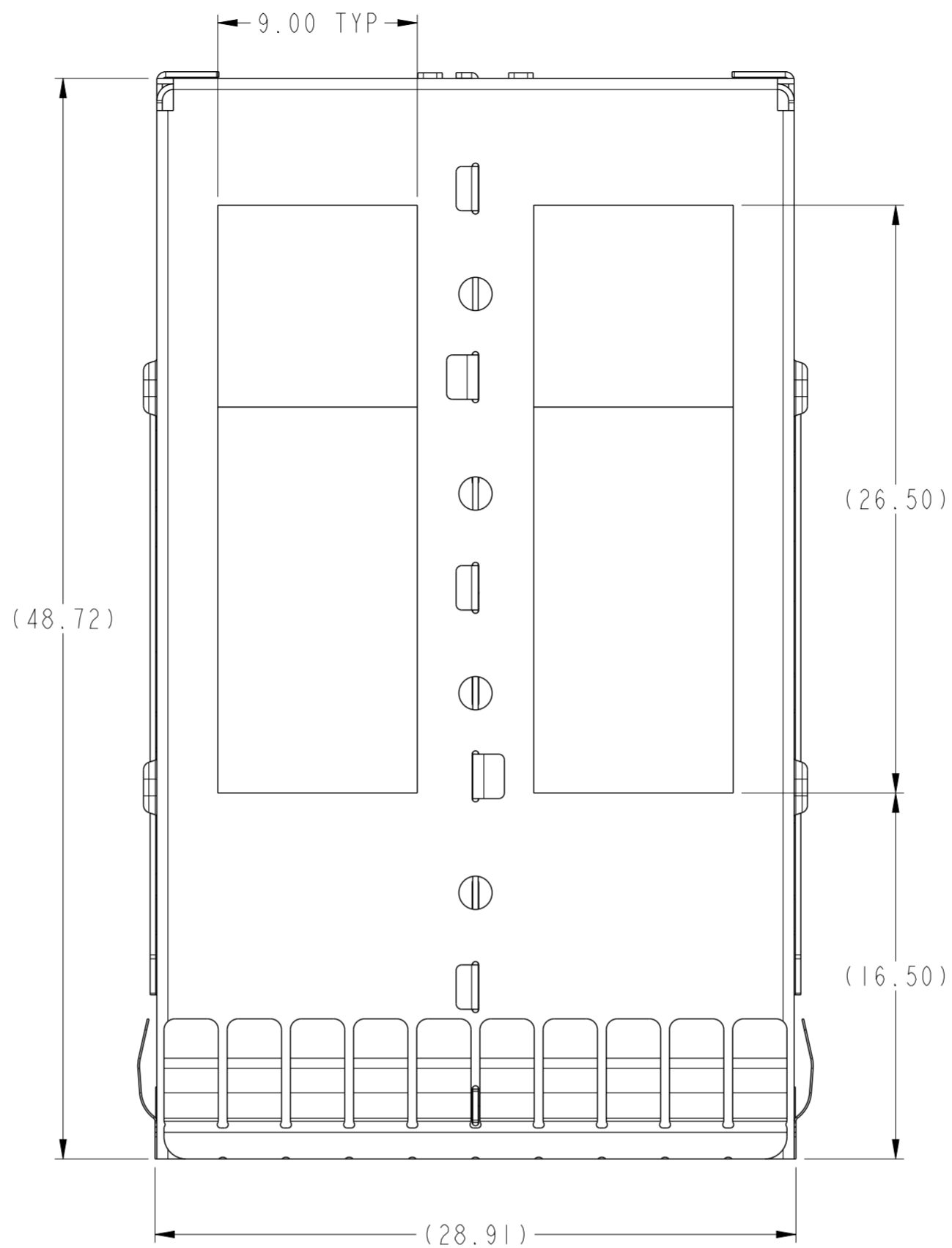
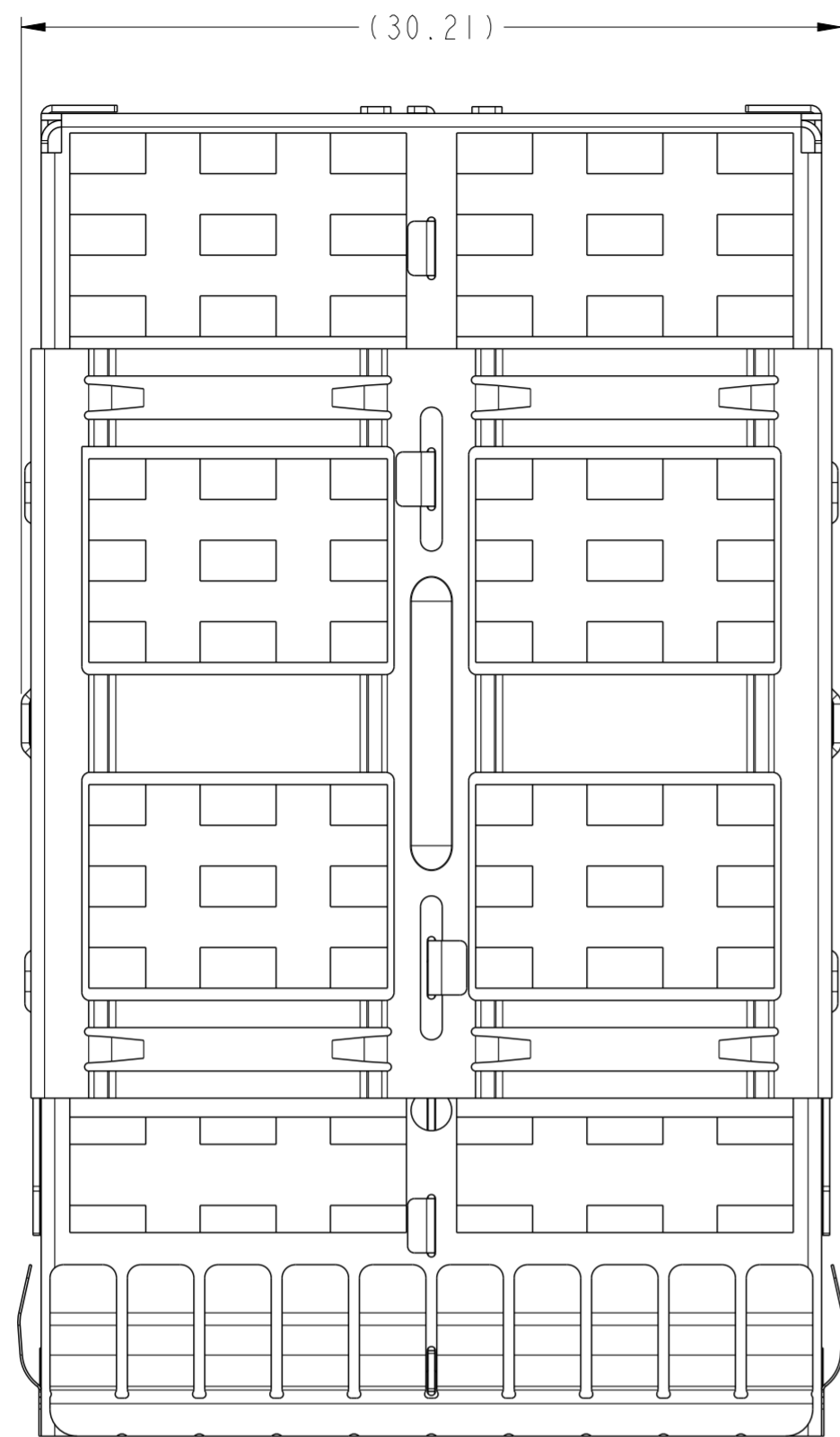
ASSEMBLY VIEW
SCALE 5:2



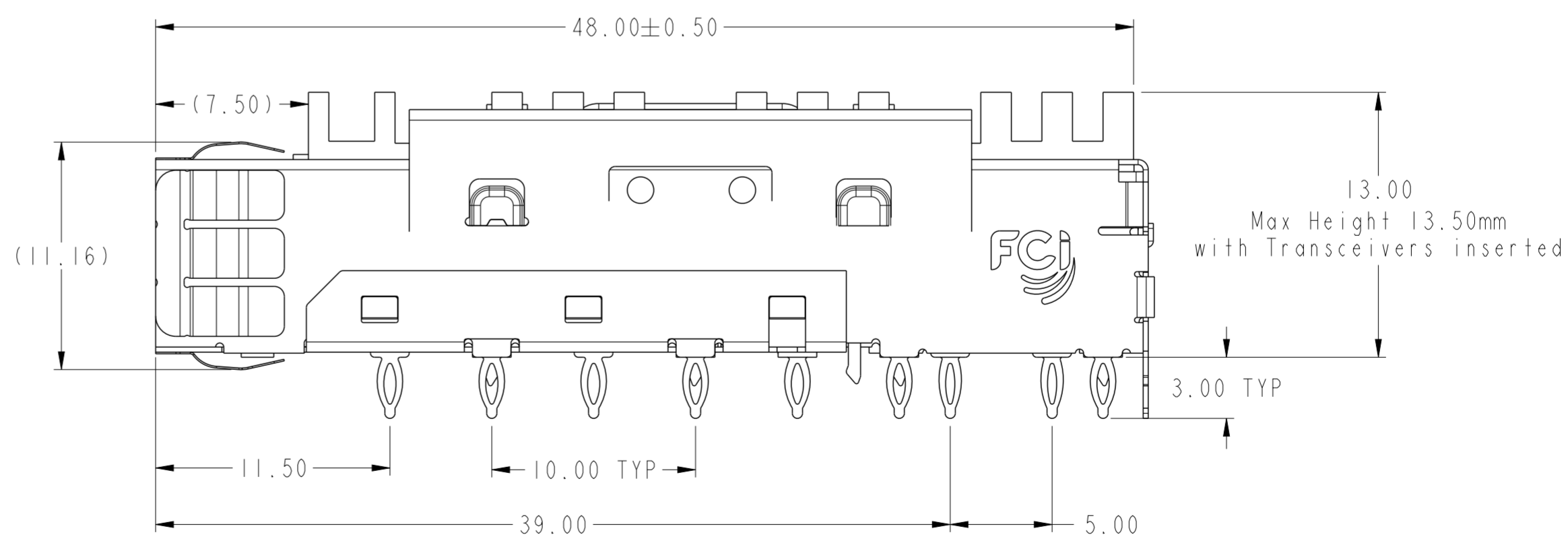
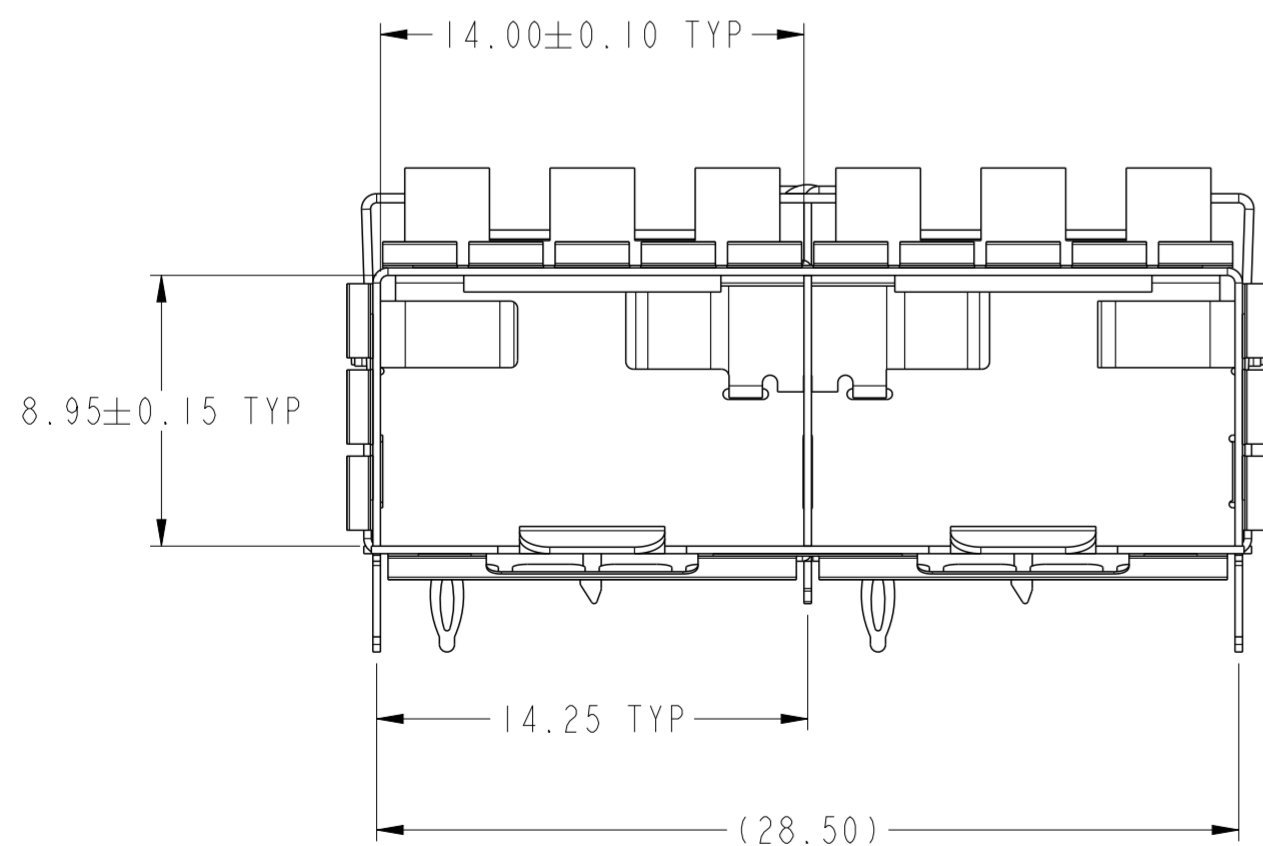
Copyright FCI.
FCI

spec ref	dr	Art Lin	2014/04/21	projection	mm	size	A2	scale	1:1
tolerance std	eng	Art Lin	2015/02/09		mm	ecn no	-	rel level	Released
ISO 406 ISO 1101	chr	-	product family						
TOLERANCES UNLESS OTHERWISE SPECIFIED	appr	Collins Lu	2015/02/09			cat. no.	-	Product - Customer Drw	sheet 3 of 11
surface	linear	0.X	±0.25	SFP+ 1X2 CAGE ASSEMBLY LOW PROFILE, SPRING FINGER		dwg no	1012884I	rev	A
ISO 1302	angular	0°	±1°	www.fci.com					

Product Number	Packaging
10128841-103LF	Tray



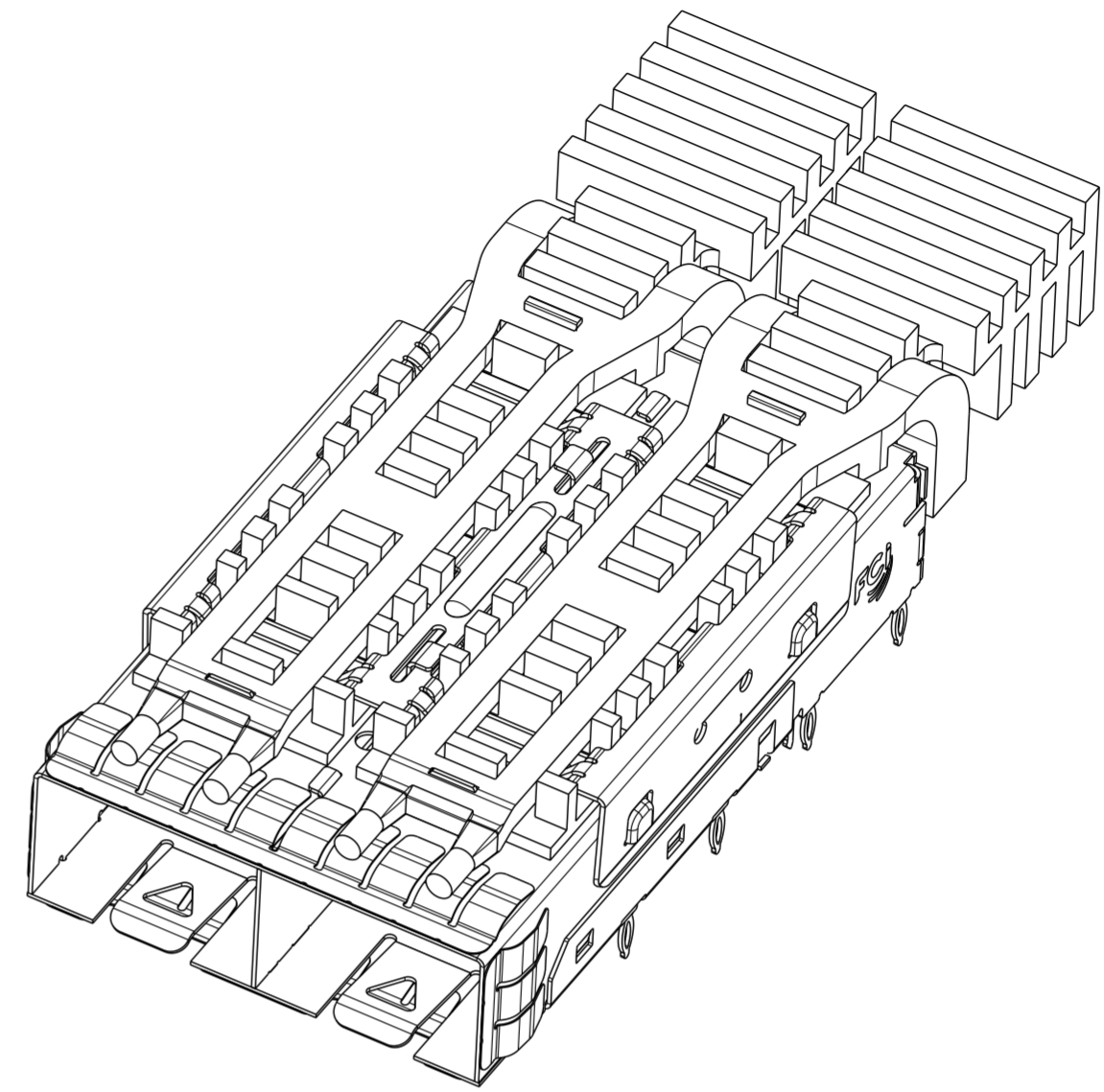
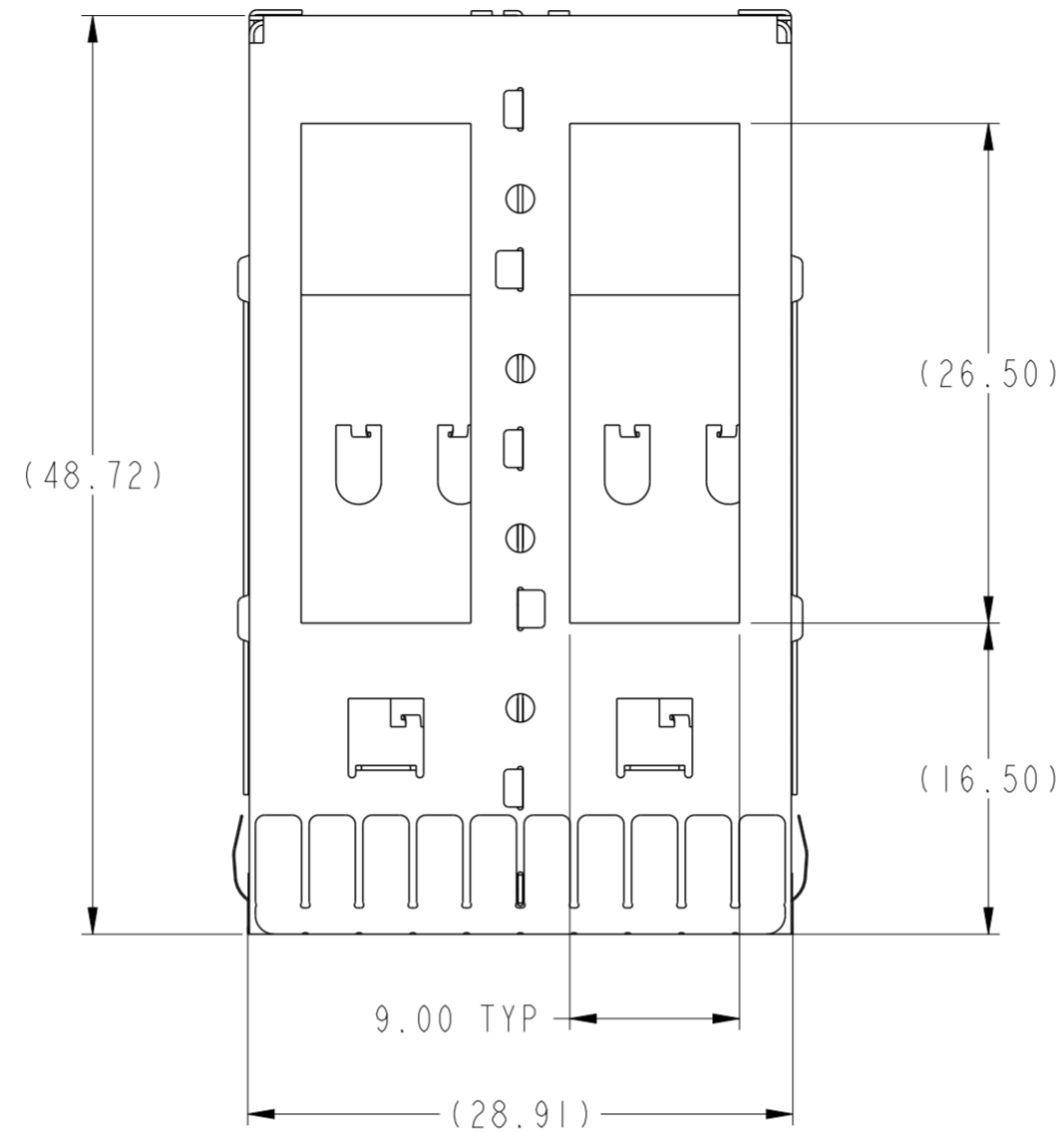
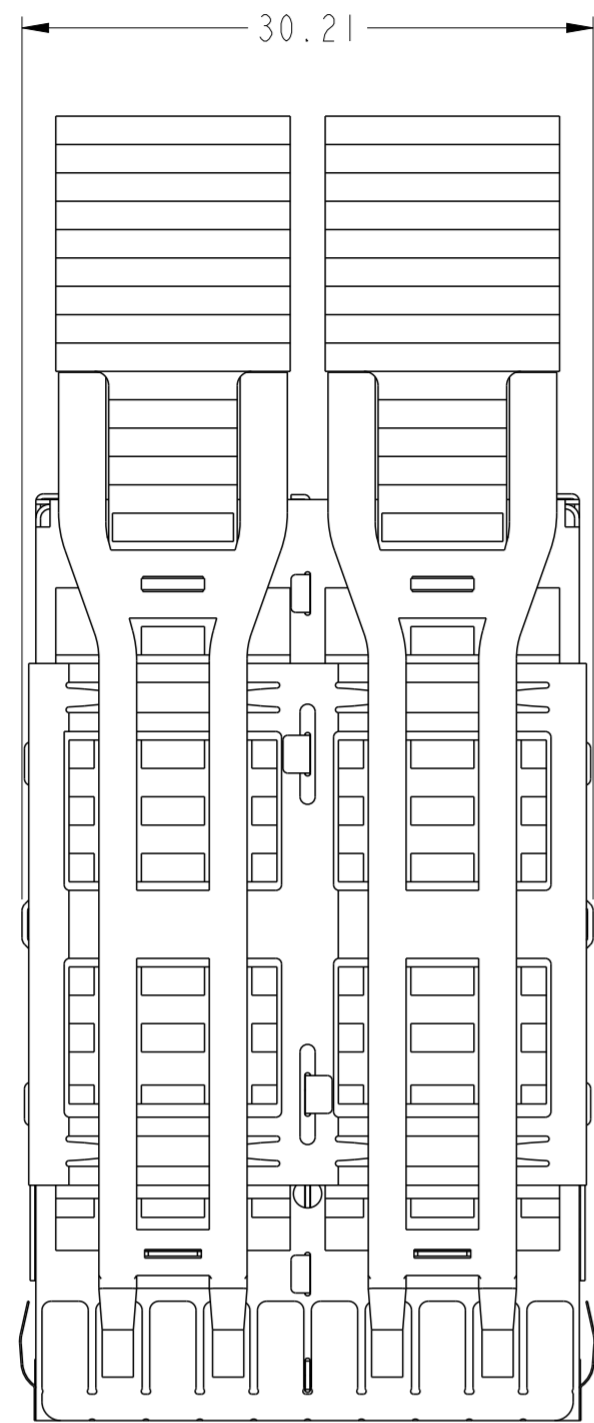
CAGE ASSEMBLY
SCALE 3:1



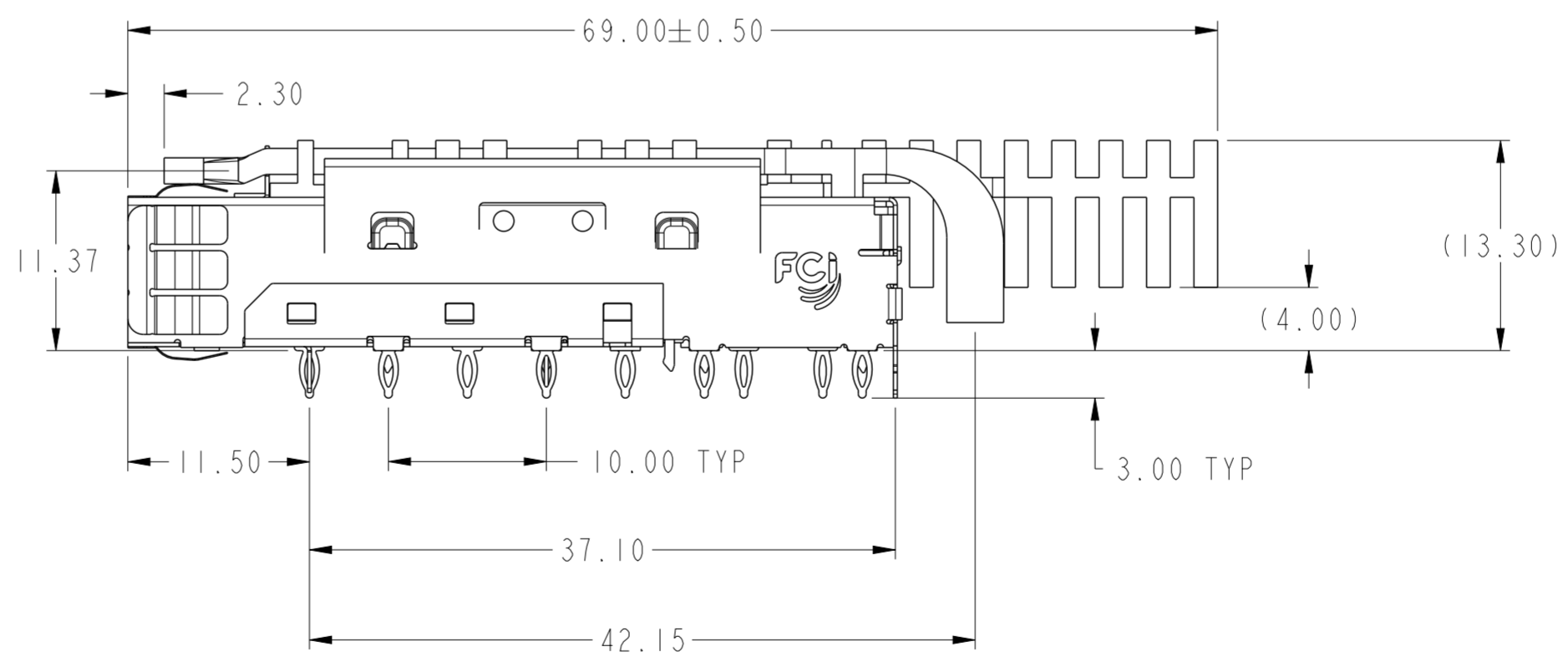
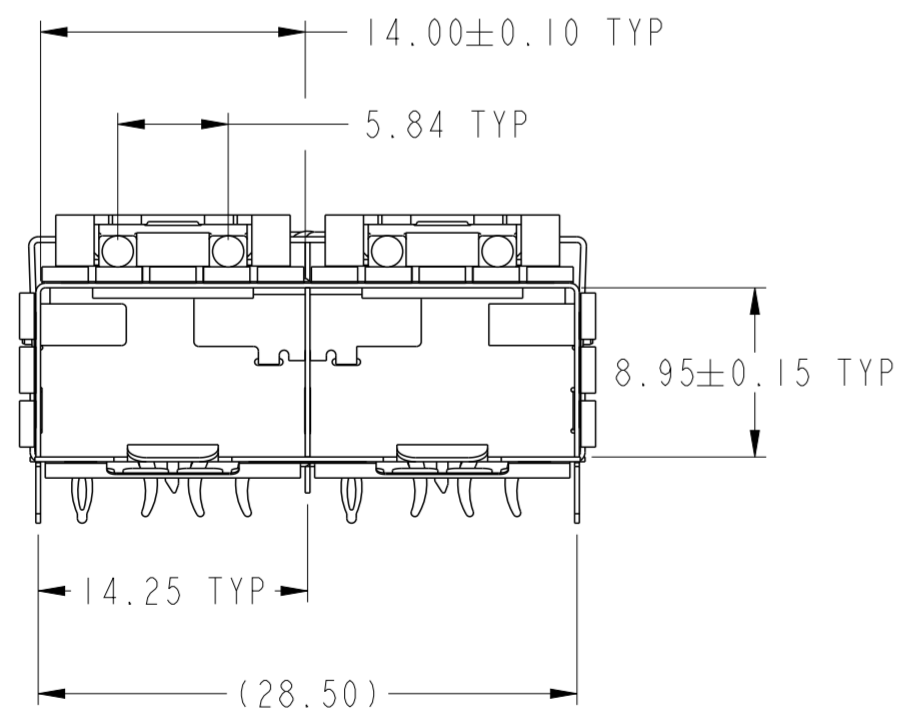
Copyright FCI.
FCI

spec ref	dr	Art Lin	2014/04/21	projection	mm	size	A2	scale	1:1
tolerance std	eng	Art Lin	2015/02/09		mm	ecn no	-	rel level	Released
ISO 406	chr	-	product family						
ISO 1101	appr	Collins Lu	2015/02/09			cat. no.	10128841	rev	A
surface	TOLERANCES UNLESS OTHERWISE SPECIFIED linear 0.X ±0.25 0.XX ±0.15 0.XXX ±0.05 angular 0° ±1°		www.fci.com	title SFP+ 1X2 CAGE ASSEMBLY LOW PROFILE, SPRING FINGER		Product - Customer Draw	sheet 4 of 11		

Product Number	Packaging
10128841-201LF	Tray



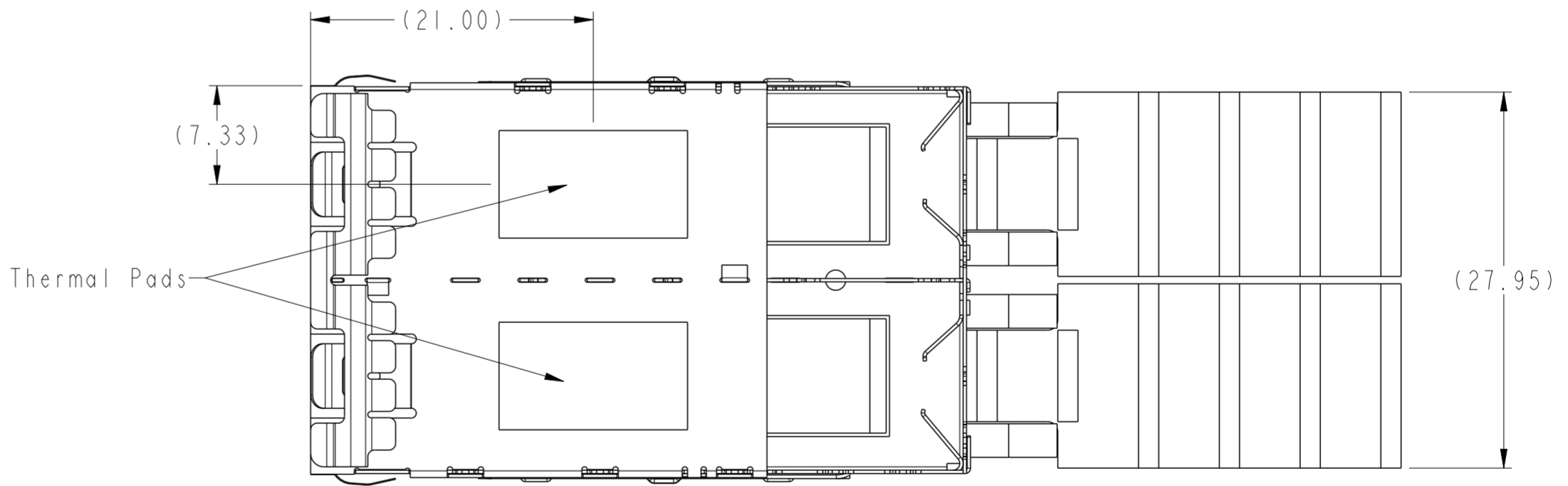
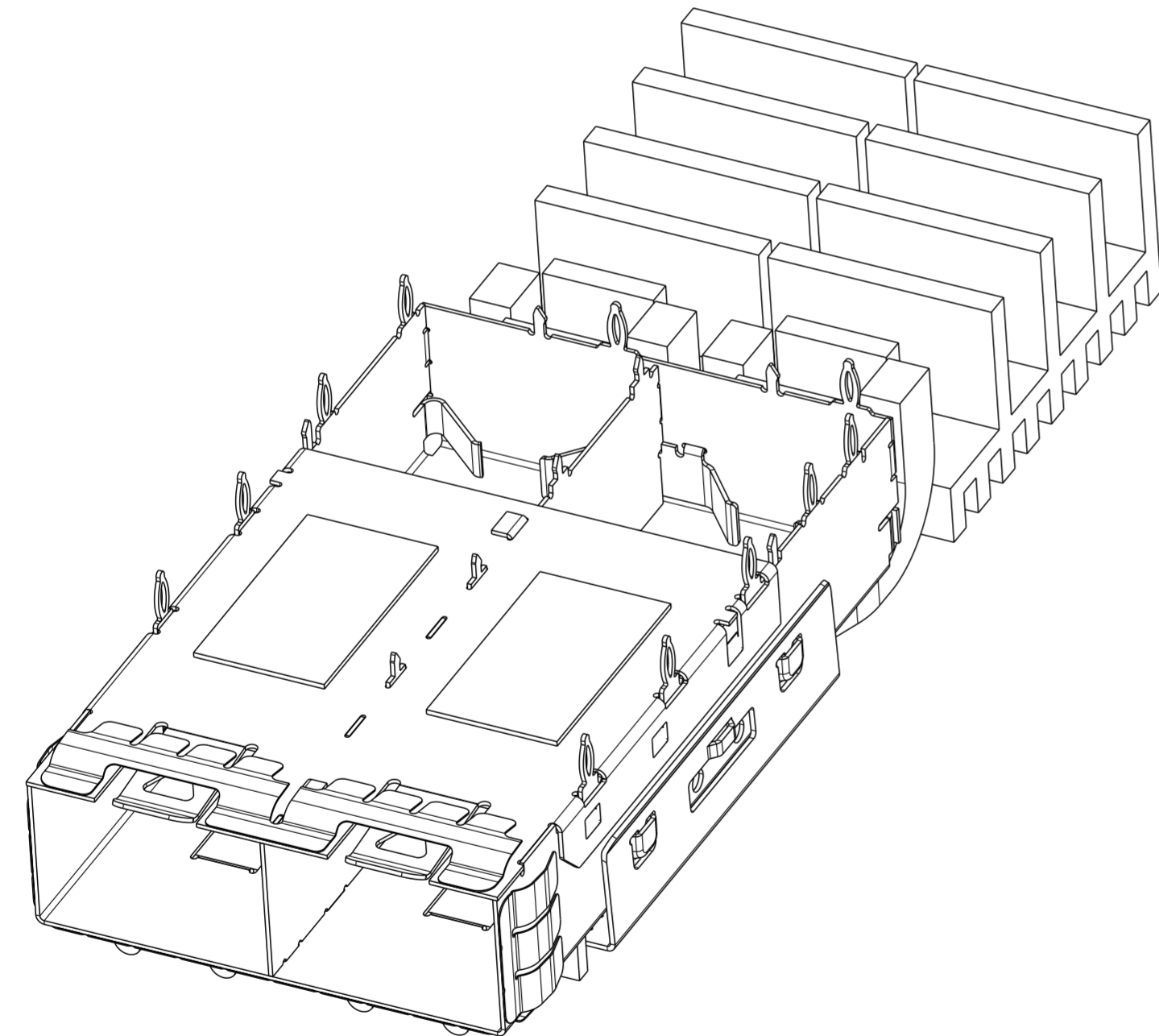
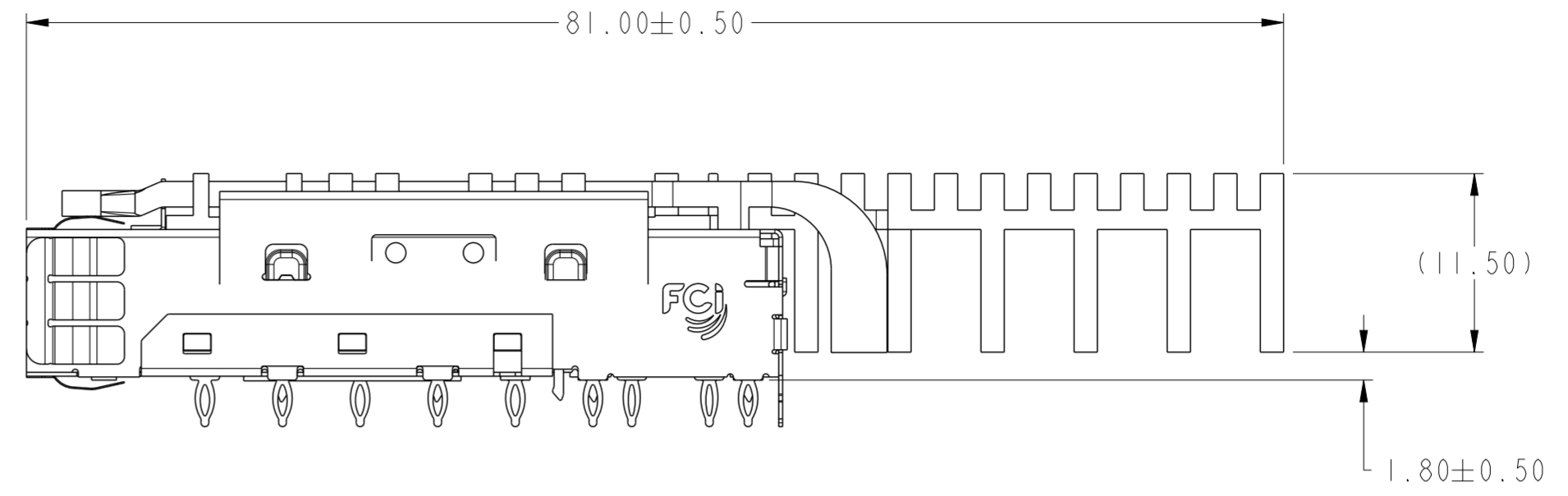
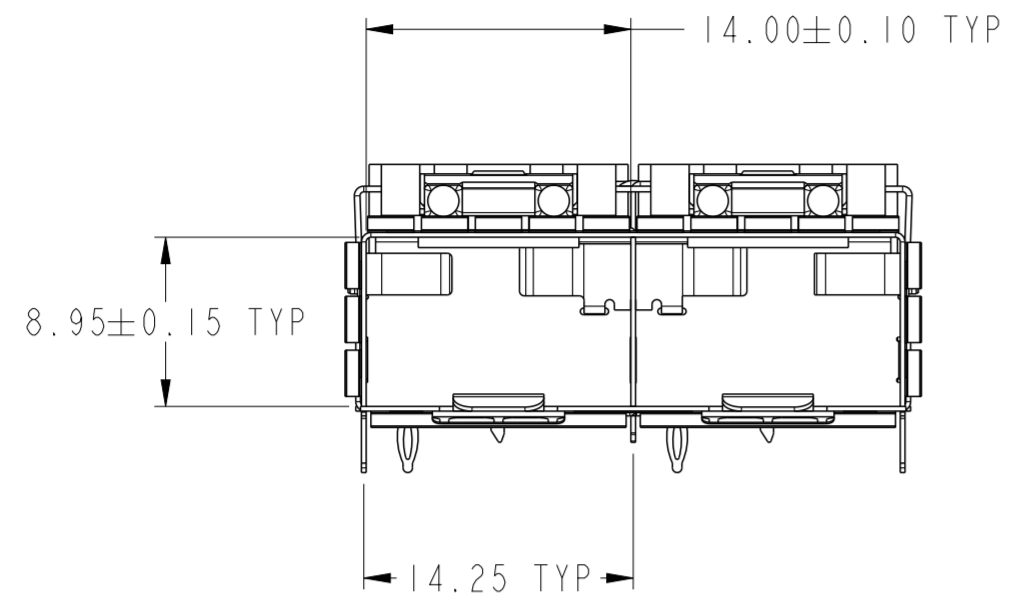
ASSEMBLY VIEW
SCALE 5:2



Copyright FCI.

spec ref	dr	Art Lin	2014/04/21	projection	mm	size	A2	scale	5:2
tolerance std	eng	Art Lin	2015/02/09		mm	ecn no	-	rel level	Released
ISO 406	chr	-	product family						
ISO 1101	appr	Collins Lu	2015/02/09			cat. no.	-	Product - Customer Drw	sheet 5 of 11
surface	linear	0.X	±0.25	SFP+ 1X2 CAGE ASSEMBLY LOW PROFILE, SPRING FINGER		dwg no	10128841	rev	A
ISO 1302	angular	0°	±1°	www.fci.com					

Product Number	Packaging
10128841-211LF	Tray



THE OTHER DIMENSIONS OF 10128841-211LF ARE SAME TO 10128841-201LF

SCALE 3:1

Copyright FCI.
FCI

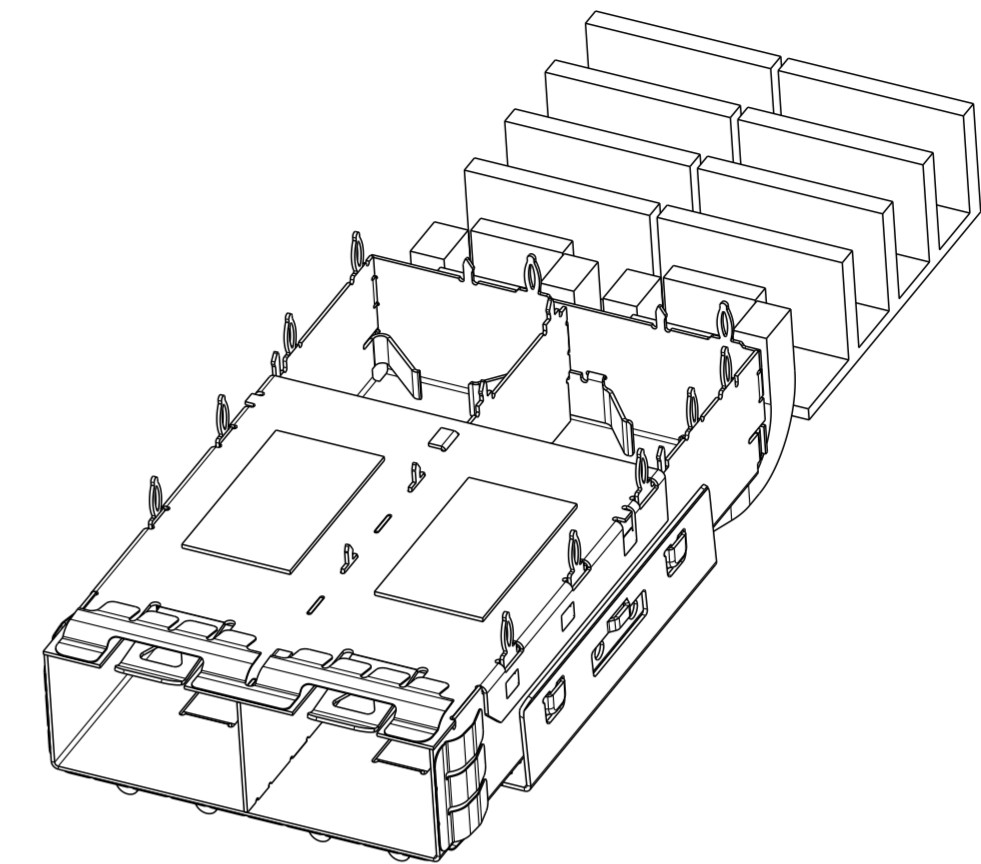
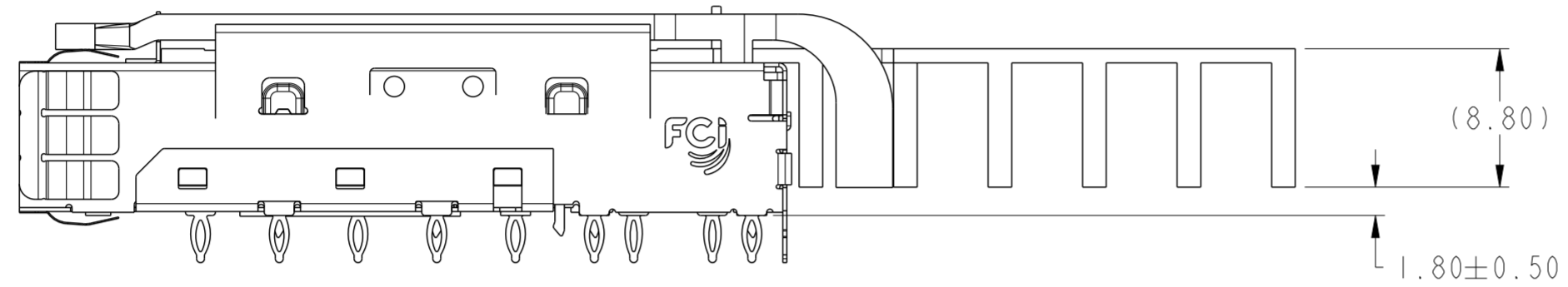
spec ref	dr	Art Lin	2014/04/21	projection	mm	size	A2	scale	1:1
tolerance std	eng	Art Lin	2015/02/09		mm	ecn no	-	rel level	Released
ISO 406 ISO 1101	chr	-	product family						
surface	linear	0.X	±0.25		title SFP+ 1X2 CAGE ASSEMBLY LOW PROFILE, SPRING FINGER	dwg no 10128841	rev A	Product - Customer Draw sheet 6 of 11	
		0.XX	±0.15						
		0.XXX	±0.05						
ISO 1302	angular	0°	±1°	www.fci.com	cat. no.	-	Product - Customer Draw		sheet 6 of 11

PDS: Rev :A

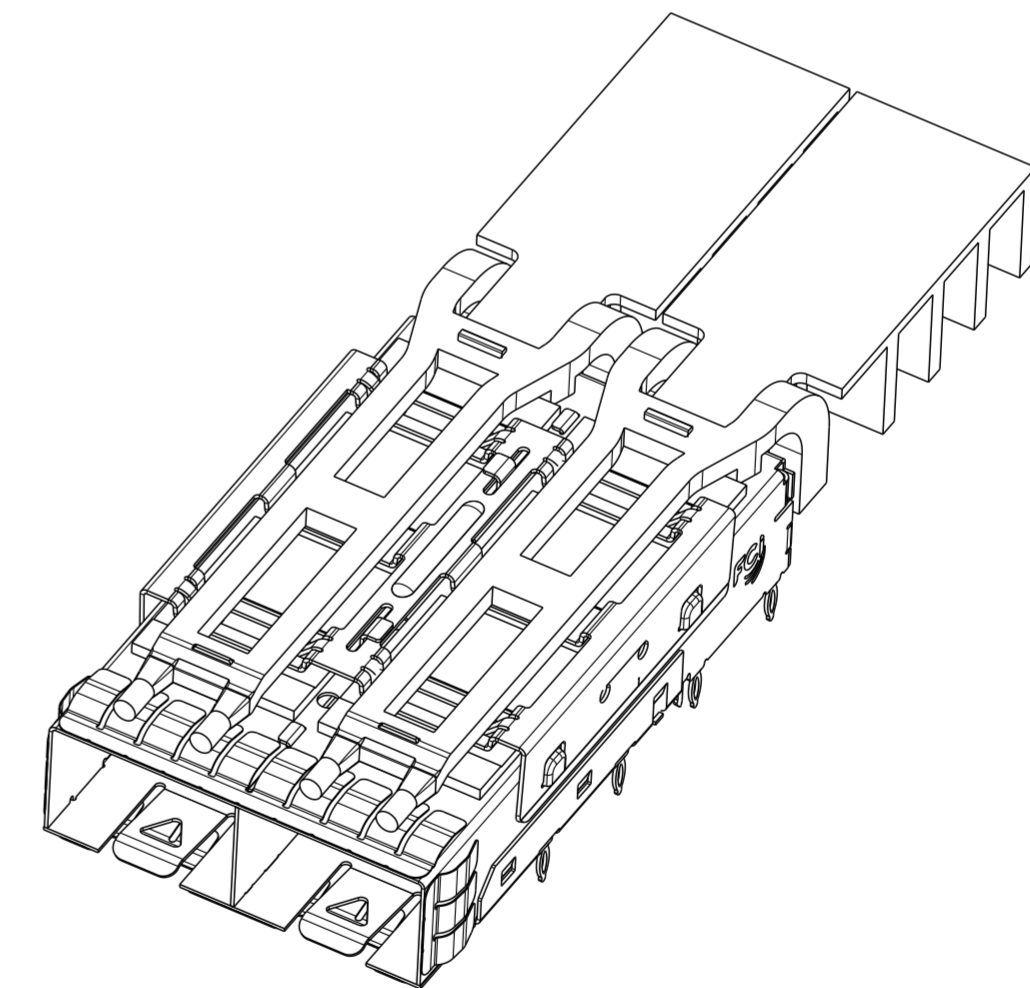
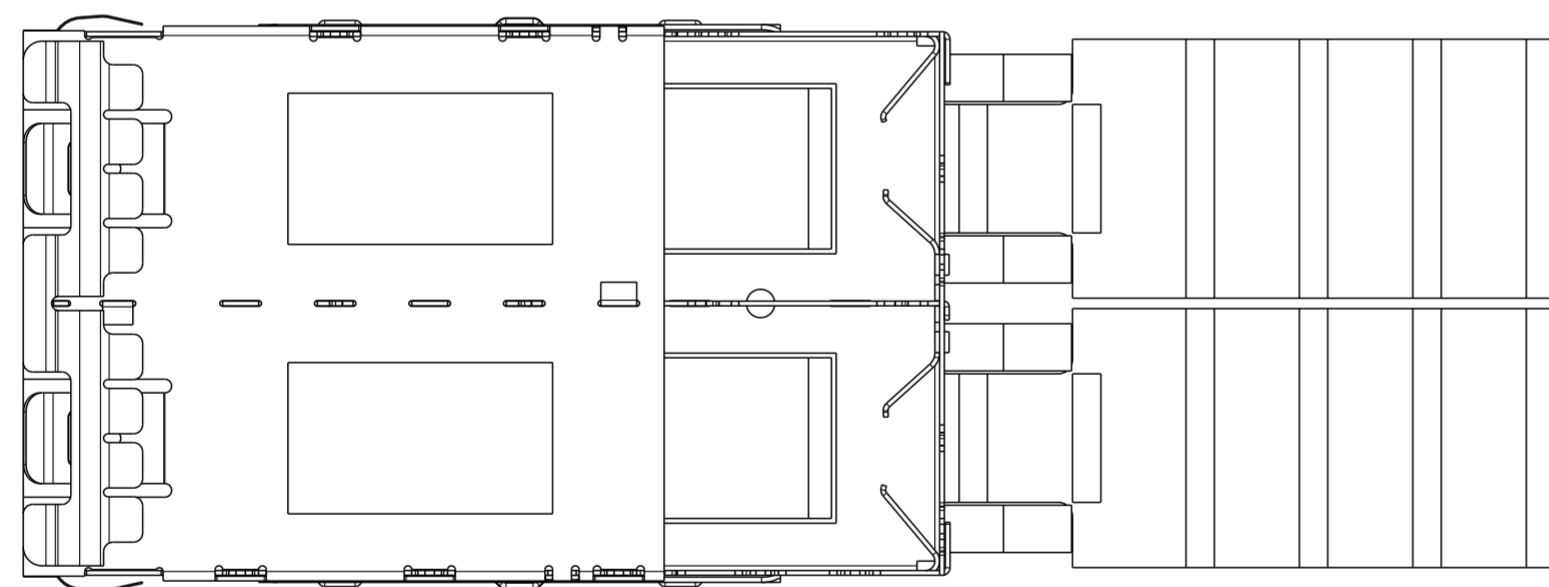
STATUS:Released

Printed: Feb 09, 2015

Product Number	Packaging
10128841-212LF	Tray



SCALE 2:1



SCALE 2:1

THE OTHER DIMENSIONS OF 10128841-212LF ARE SAME TO 10128841-211LF



Copyright FCI.

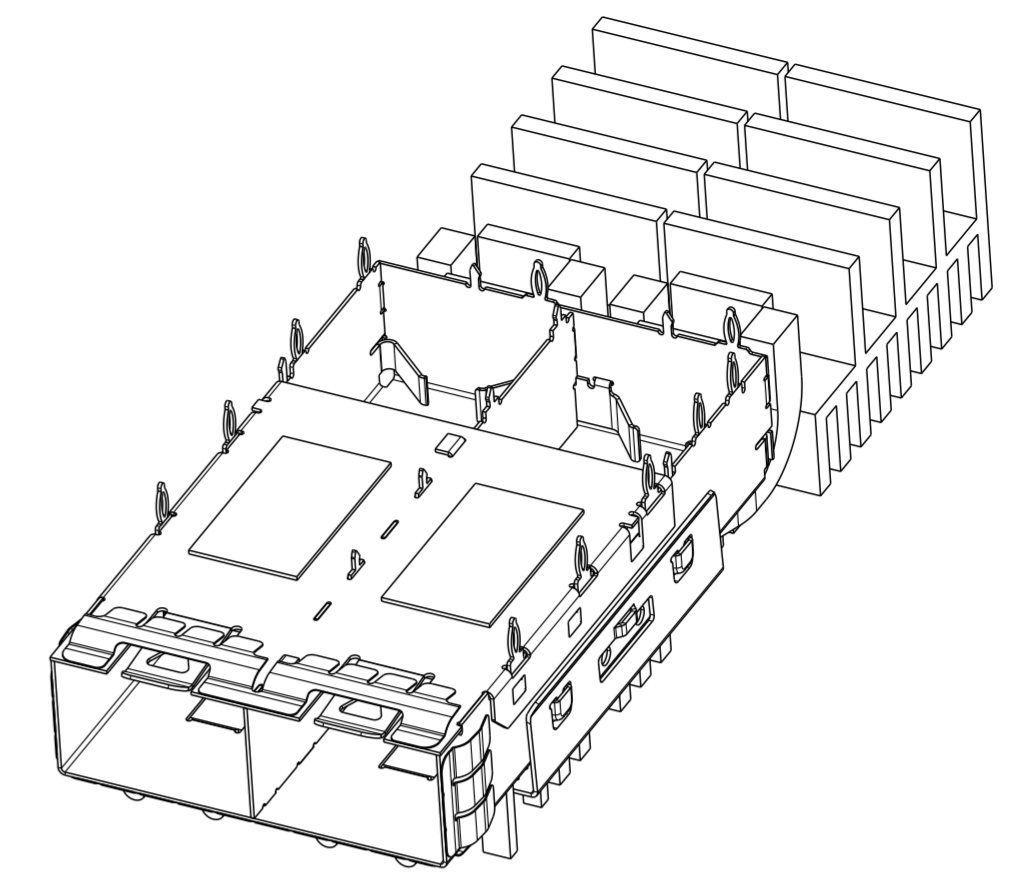
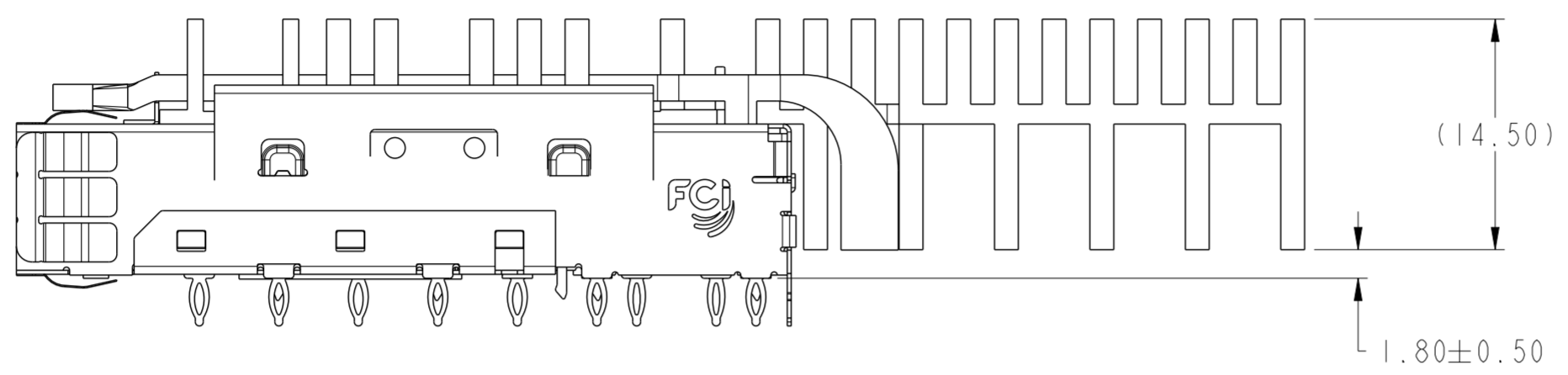
spec ref	dr	Art Lin	2014/04/21	projection	mm	size	A2	scale	1:1
tolerance std	eng	Art Lin	2015/02/09			ecn no	-	rel level	Released
ISO 406 ISO 1101	chr	-	product family						
surface	linear	0.X	±0.25		SFP+ 1X2 CAGE ASSEMBLY LOW PROFILE, SPRING FINGER	dwg no	10128841	rev	A
		0.XX	±0.15						
		0.XXX	±0.05						
ISO 1302	angular	0°	±1°	www.fci.com	cat. no.	-	Product - Customer Drw	sheet 7 of 11	

PDS: Rev :A

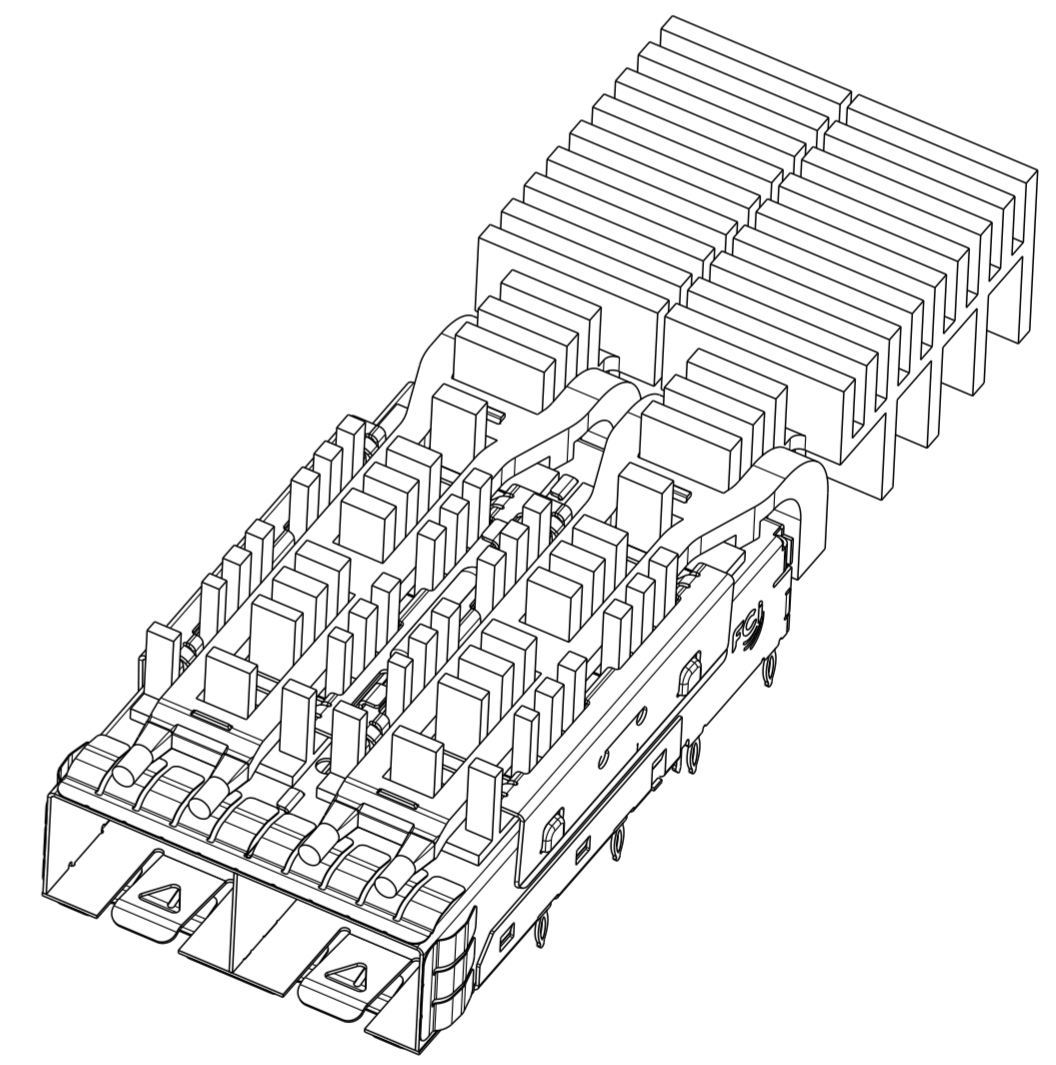
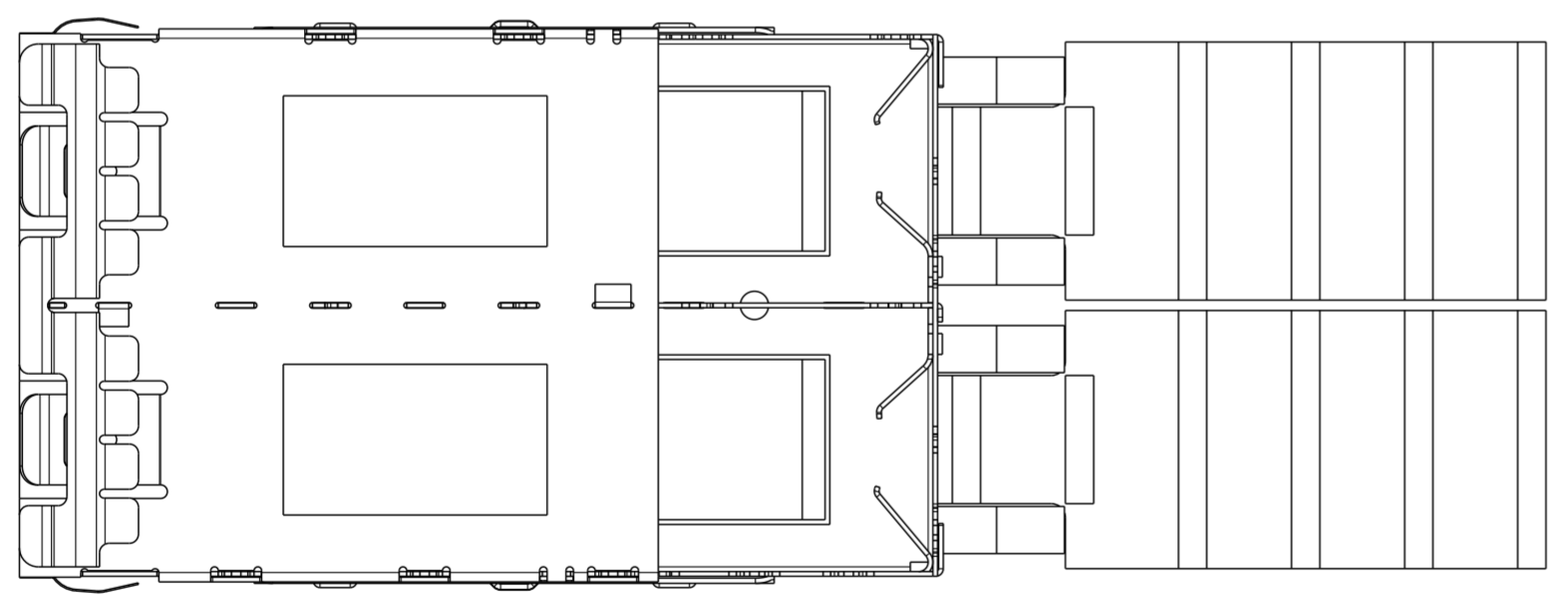
STATUS:Released

Printed: Feb 09, 2015

Product Number	Packaging
10128841-213LF	Tray



SCALE 2:1

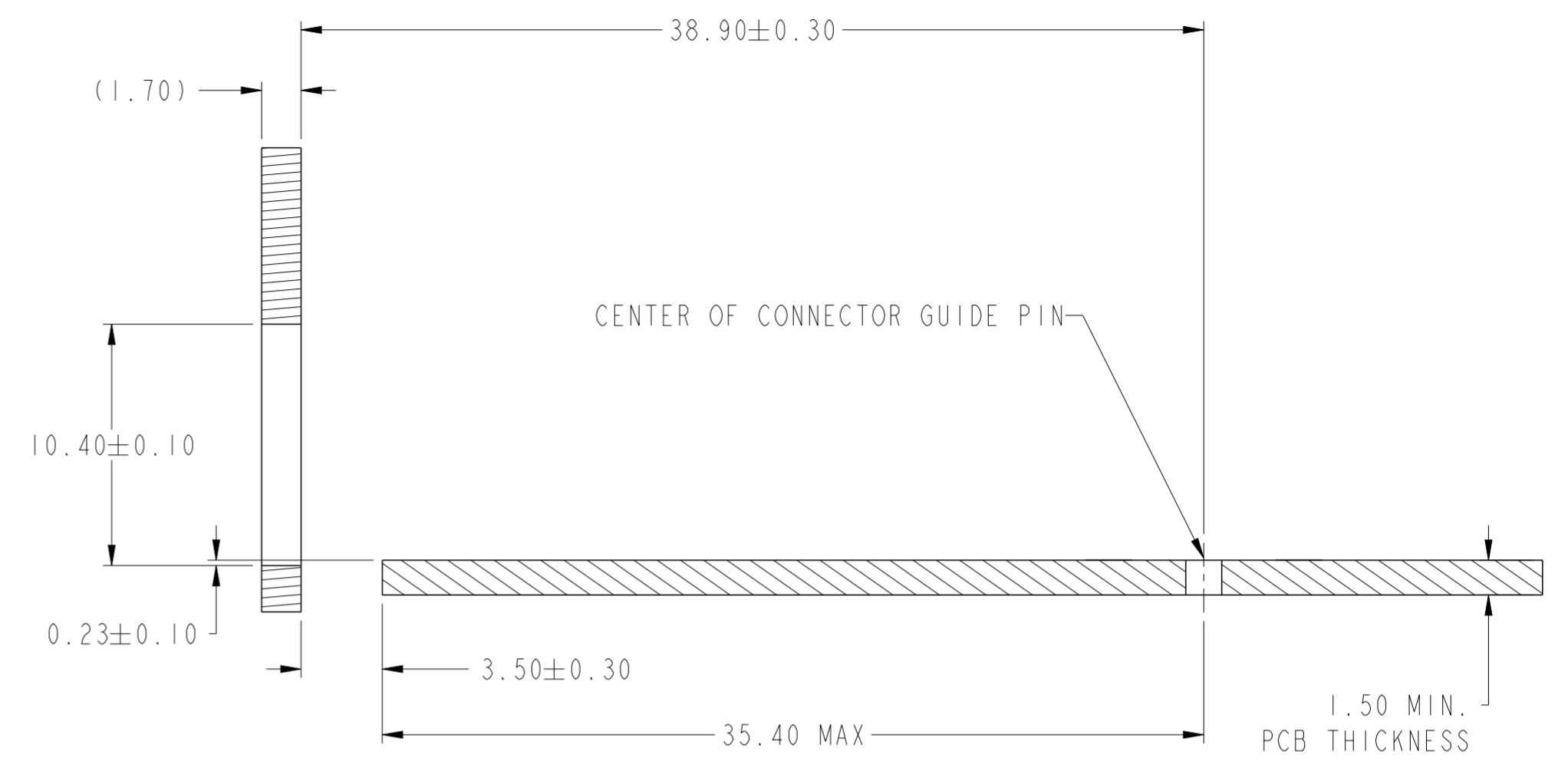
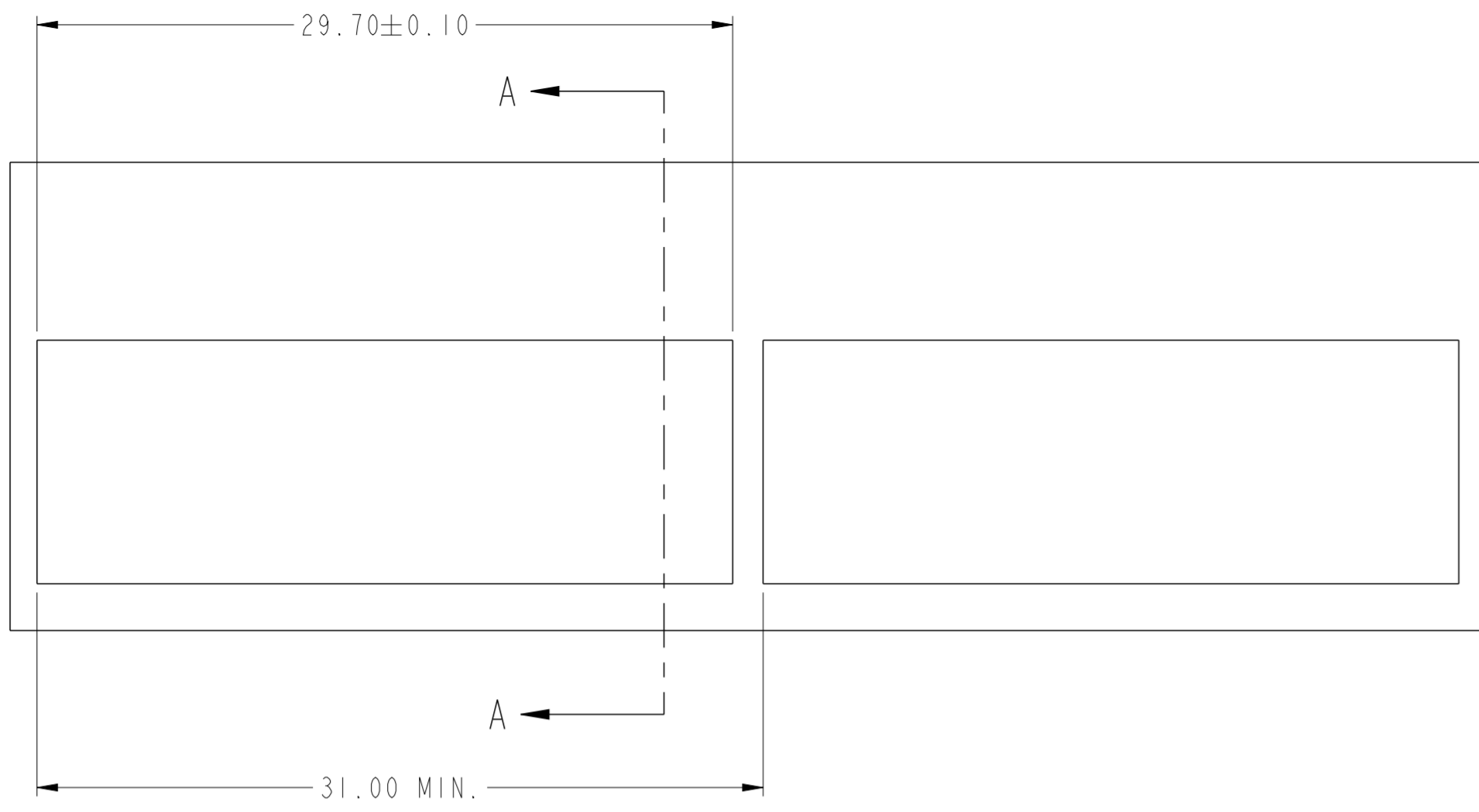


SCALE 2:1

THE OTHER DIMENSIONS OF 10128841-213LF ARE SAME TO 10128841-211LF

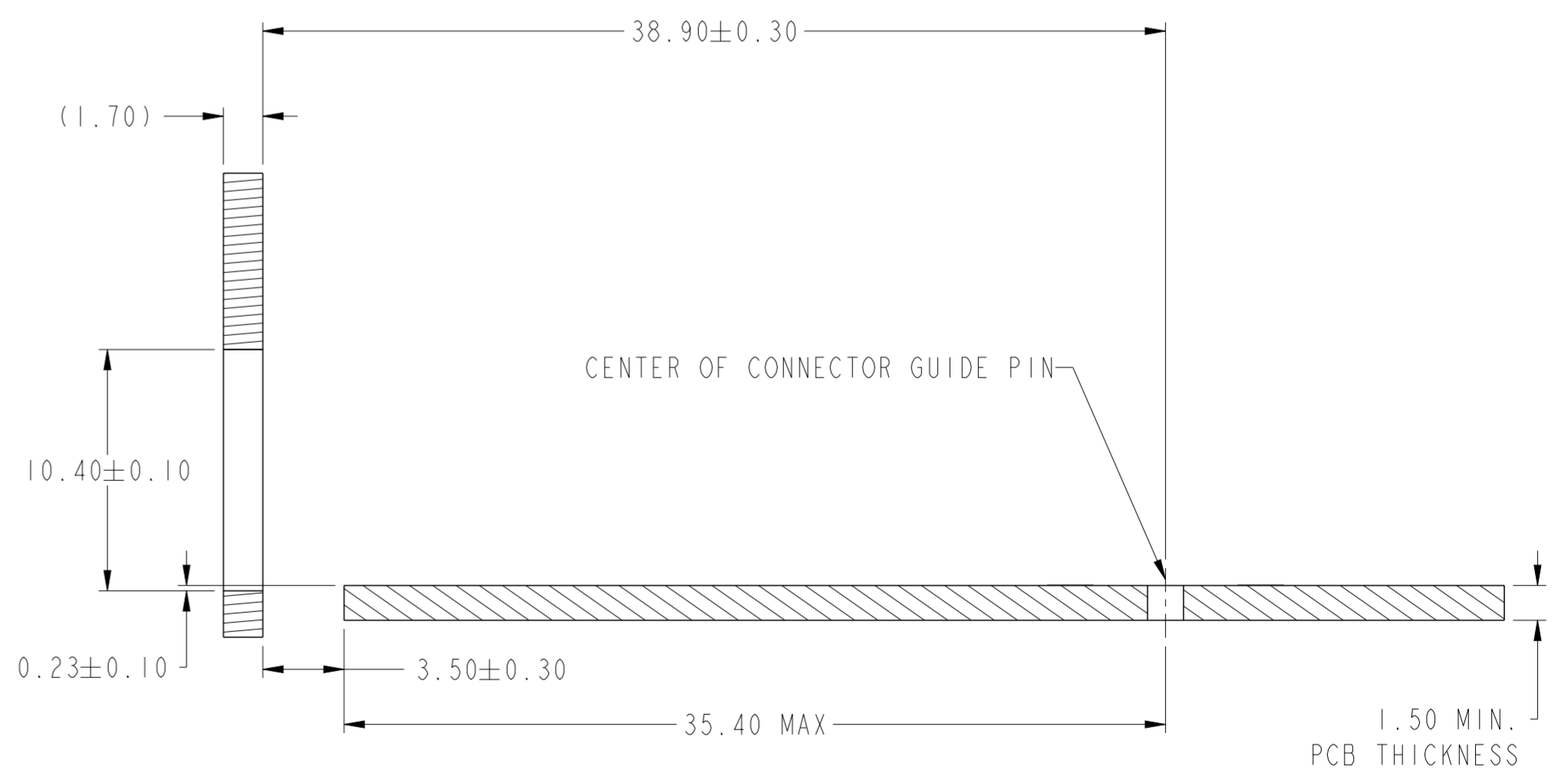
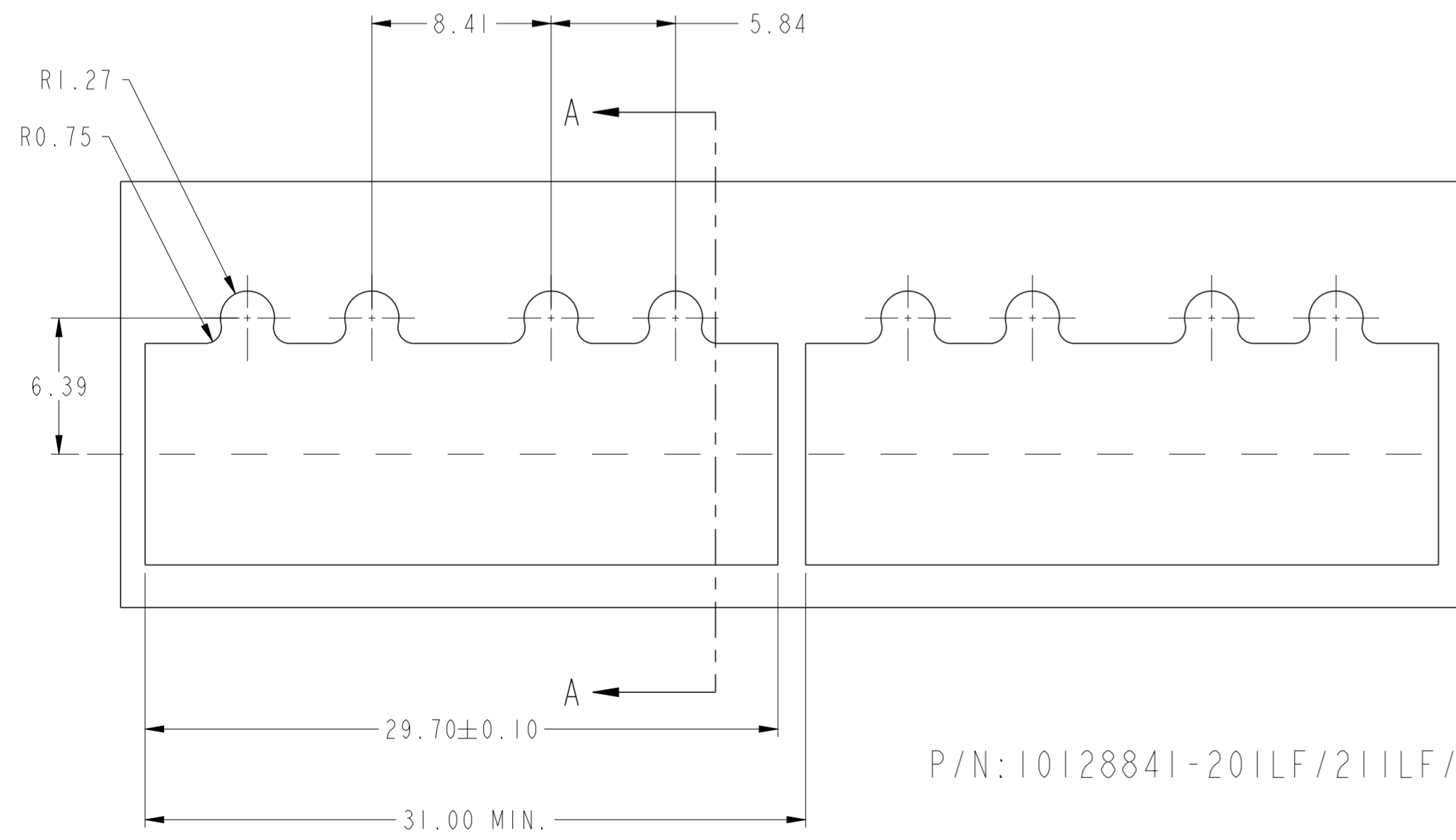
Copyright FCI.

spec ref	dr	Art Lin	2014/04/21	projection	mm	size	A2	scale	1:1													
tolerance std	eng	Art Lin	2015/02/09			ecn no	-	rel level	Released													
ISO 406 ISO 1101	chr	-	product family			-																
surface	appr	Collins Lu	2015/02/09			cat. no.	10128841	rev	A													
ISO 1302	<table border="1"> <tr> <td>linear</td> <td>0.X</td> <td>±0.25</td> </tr> <tr> <td></td> <td>0.XX</td> <td>±0.15</td> </tr> <tr> <td></td> <td>0.XXX</td> <td>±0.05</td> </tr> <tr> <td>angular</td> <td>0°</td> <td>±1°</td> </tr> </table>		linear	0.X	±0.25		0.XX	±0.15		0.XXX	±0.05	angular	0°	±1°	<table border="1"> <tr> <td>title</td> <td>SFP+ 1X2 CAGE ASSEMBLY</td> </tr> <tr> <td></td> <td>LOW PROFILE, SPRING FINGER</td> </tr> </table>		title	SFP+ 1X2 CAGE ASSEMBLY		LOW PROFILE, SPRING FINGER	Product - Customer Drw	sheet 8 of 11
linear	0.X	±0.25																				
	0.XX	±0.15																				
	0.XXX	±0.05																				
angular	0°	±1°																				
title	SFP+ 1X2 CAGE ASSEMBLY																					
	LOW PROFILE, SPRING FINGER																					



P/N: 10128841-001LF/002LF/101LF/102LF

SECTION A-A

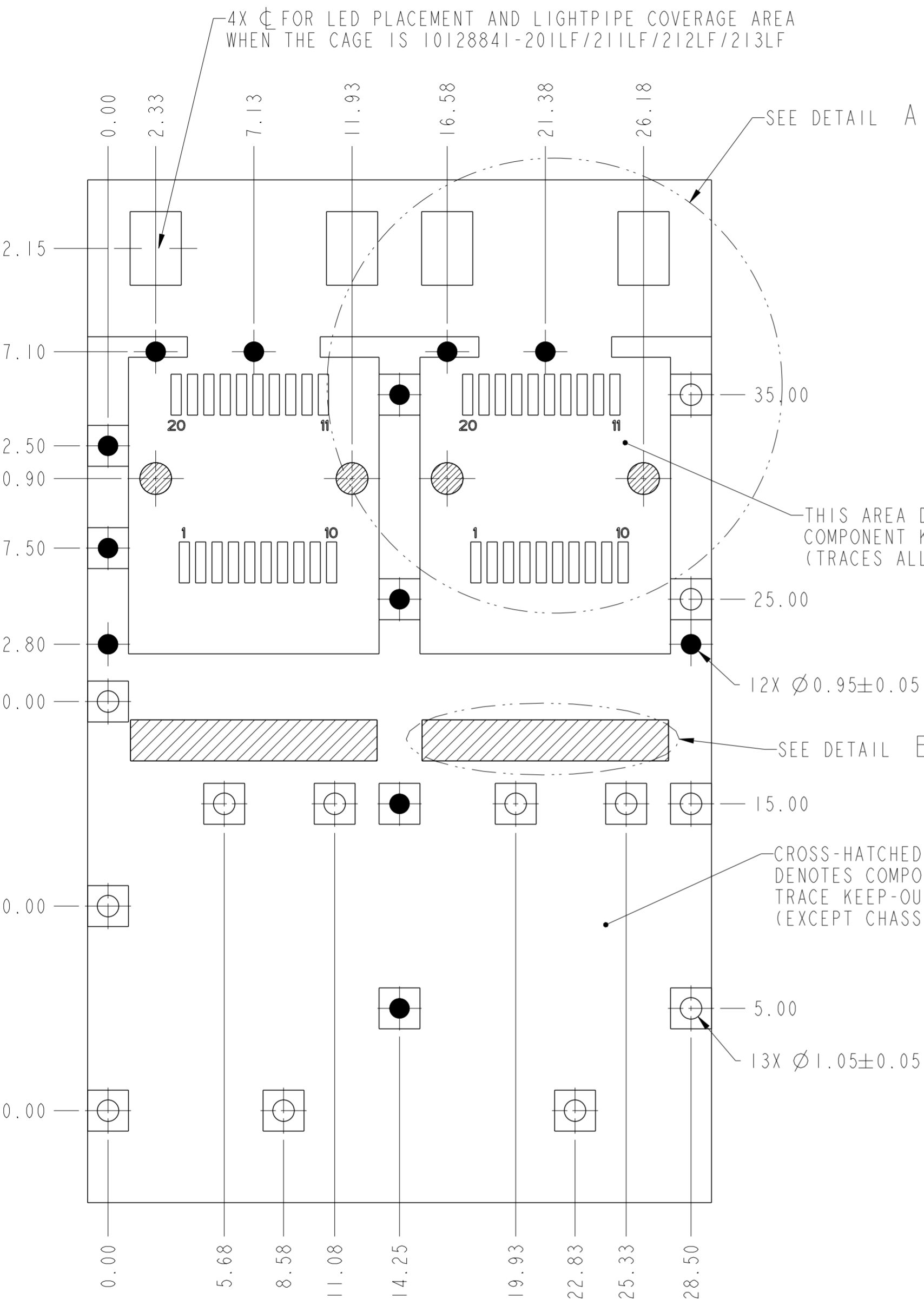


P/N: 10128841-201LF/211LF/212LF/213LF

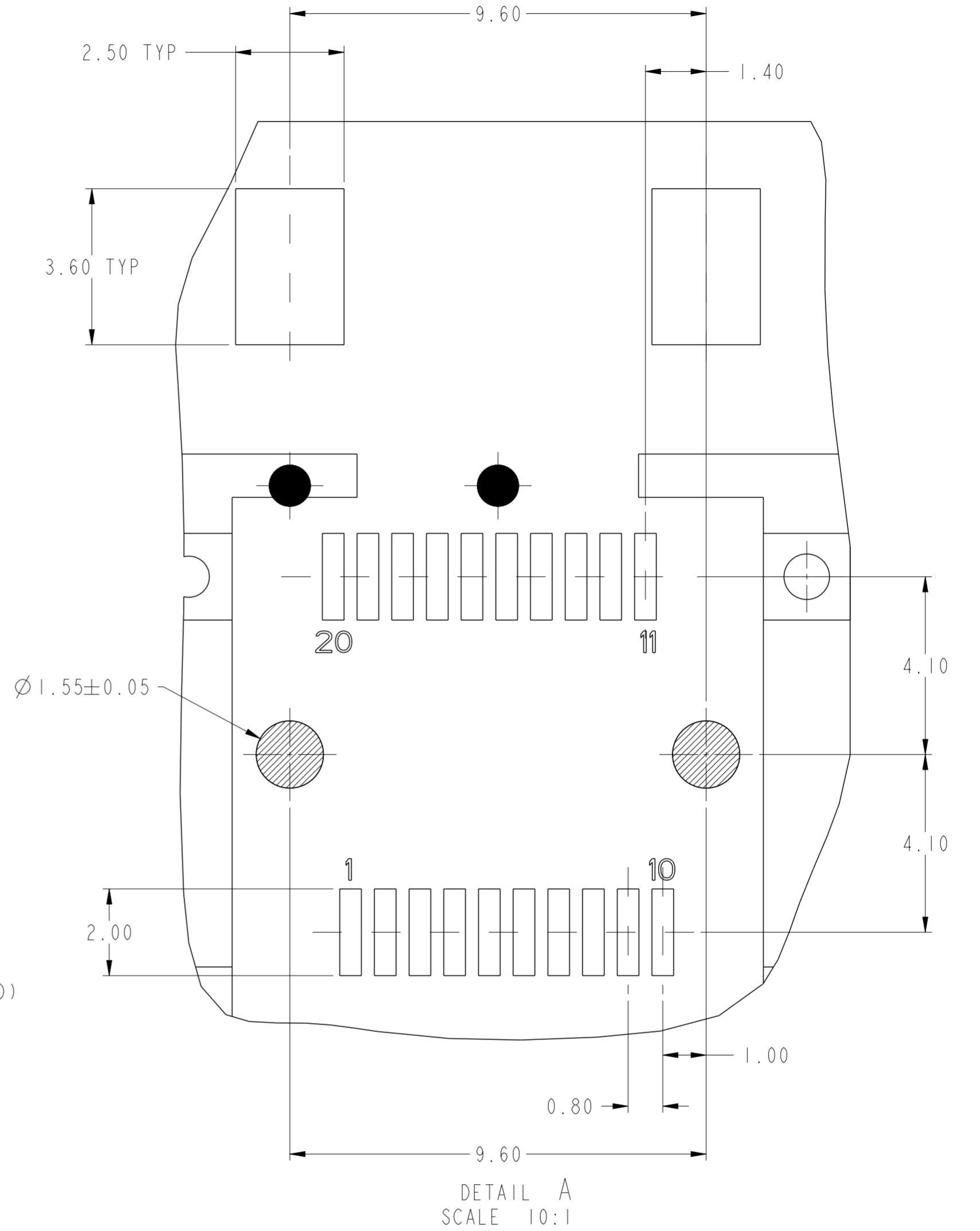
SECTION A-A

spec ref	dr	Art Lin	2014/04/21	projection	mm	size	A2	scale	4:1
tolerance std	eng	Art Lin	2015/02/09		mm	ecn no	-	rel level	Released
ISO 406	chr	-							
ISO 1101	appr	Collins Lu	2015/02/09						
TOLERANCES UNLESS OTHERWISE SPECIFIED				product family	SFP+				
surface	linear	0.X	±0.25			SFP+ 1X2 CAGE ASSEMBLY		dwg no 10128841	rev A
ISO 1302	angular	0°	±1°	www.fci.com		LOW PROFILE, SPRING FINGER		Product - Customer Draw sheet 9 of 11	

Copyright FCI.



PCB CONFIGURATION WITH KEEP-OUT AREAS
(P/N: 10128841-001LF/002LF/101LF/102LF/201LF)

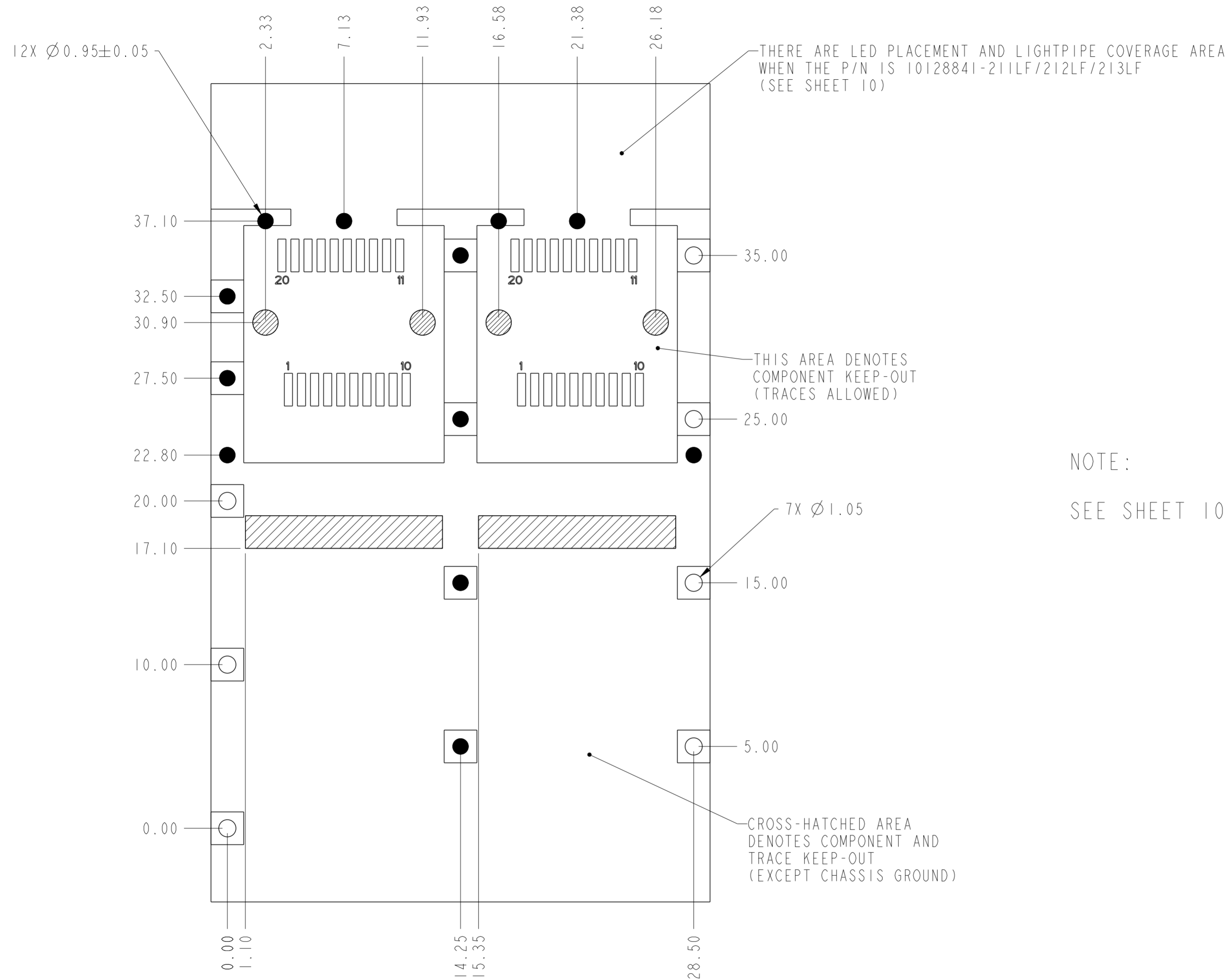


APPLIES TO ALL GANGED LAYOUTS

spec ref	dr	Art Lin	2014/04/21	projection	mm	size	A2	scale	5:1			
tolerance std	eng	Art Lin	2015/02/09	chr	-	ecn no	-	rel level	Released			
ISO 406	chr	-	-	appr	Collins Lu	2015/02/09	product family	-	-			
ISO 1101	appr	Collins Lu	2015/02/09	product family		-	rel level	Released	-			
surface	linear	0.X	±0.25	FCI		TITLE		SFP+ 1X2 CAGE ASSEMBLY	dwg no	10128841	rev	A
ISO 1302	linear	0.XX	±0.15	www.fci.com		cat. no.		-	Product - Customer Drw	sheet 10 of 11	-	
	angular	0°	±1°									

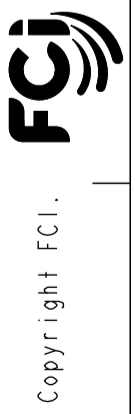


Copyright FCI.



PCB CONFIGURATION WITH KEEP-OUT AREAS
(P/N: 10128841-103LF/211LF/212LF/213LF)

NOTE:
SEE SHEET 10 FOR HOST CONNECTOR LAYOUT



spec ref	dr	Art Lin	2014/04/21	projection	mm	size	A2	scale	1:1
tolerance std	eng	Art Lin	2015/02/09			ecn no	-	rel level	Released
ISO 406 ISO 1101	chr	-	apppr						
surface	linear	0.X	±0.25			title SFP+ 1X2 CAGE ASSEMBLY LOW PROFILE, SPRING FINGER		dwg no 10128841	rev A
ISO 1302	angular	0°	±1°	www.fci.com		cat. no.		Product - Customer Drw sheet 11 of 11	