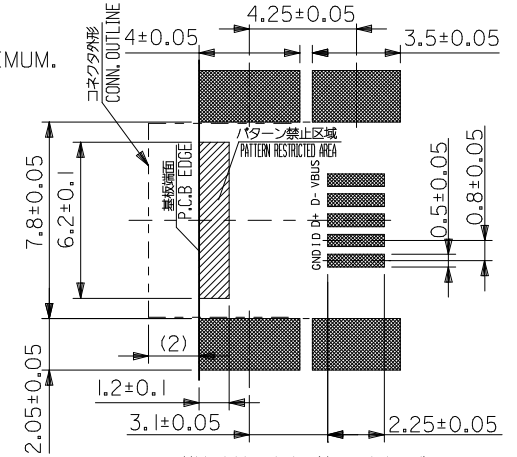


注記 1. 材質
 NOTES MATERIAL
 ハウジング: ポリアミド, ガラス充填, 黒色, UL94V-0
 HOUSING: PA, GLASS FILLED, BLACK, UL94V-0
 ターミナル: 銅合金 (t=0.2)
 TERMINAL: COPPER ALLOY(t=0.2)
 シールド ケース: 銅合金 (t=0.4)
 SHIELD CASE: COPPER ALLOY(t=0.4)
 カバー テープ: ポリイミド (t=0.08)
 COVER TAPE: POLYIMIDE(t=0.08)

2. メッキ仕様
 PLATING
 ターミナル
 TERMINAL
 接点部: 金メッキ 0.75 MICROMETER MIN.
 CONTACT AREA: GOLD 0.75 MICROMETER MINIMUM.
 半田付け部: 錫メッキ 無光沢 1.0 MICROMETER MIN.
 SOLDER TAIL AREA: MATTE TIN 1.0 MICROMETER MINIMUM.
 下地部: ニッケルメッキ 4.0 MICROMETER MIN.
 UNDER PLATING: NICKEL 4.0 MICROMETER MINIMUM.
 シールド ケース
 SHIELD CASE
 : 錫メッキ 半光沢 1.0 MICROMETER MIN.
 : SEMI-MATTE TIN 1.0 MICROMETER MINIMUM.
 下地部: ニッケルメッキ 4.0 MICROMETER MIN.
 UNDER PLATING: NICKEL 4.0 MICROMETER MINIMUM.

3. テール、ネイル平坦度は0.1mm MAX.
 TAIL, NAIL COPLANARITY 0.1mm MAX.
 4. 本製品は54819-0571の鉛フリー品である。
 THIS PRODUCT IS LEAD FREE OF 54819-0571.

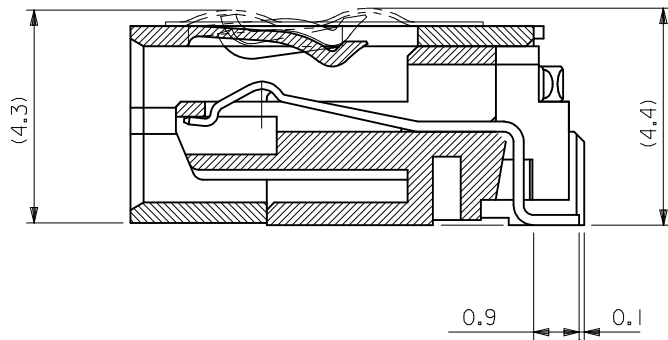


推奨基板寸法 (部品実装側)
 RECOMMENDED P.C.B. PATTERN LAYOUT (PART MOUNT SIDE)

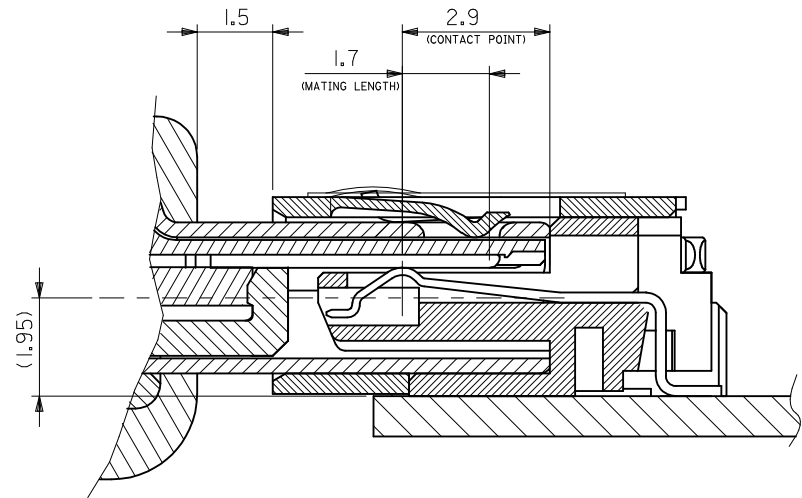
54819-0572	54819-0579
EMBOSSD TAPE	MATERIAL No.
ORDER No.	
MODEL No.54819-**-79	

REVISED EC NO: J2009-1533 DRW: NESATO 2009/06/25 CHKD: MATSUMOTO 2009/06/25 APPR: NUKITA 2009/06/25 REV: C	GENERAL TOLERANCES (UNLESS SPECIFIED)		DIMENSION STYLE	SCALE	DESIGN UNITS	THIRD ANGLE PROJECTION	
			MM ONLY	10:1	METRIC		
	10 UNDER ±0.2		DRAWN BY	DATE	TITLE		
	10 OVER 30 UNDER ±0.25		H. KAWABATA	2004/05/21	USB SERIES MINI-B RECEPTACLE ASS'Y FOR SMT -LEAD FREE-		
	30 OVER ±0.3		CHECKED BY	DATE	MOLEX INCORPORATED		
ANGULAR ±3 °		APPROVED BY	DATE	DOCUMENT NO.			
DRAFT WHERE APPLICABLE MUST REMAIN WITHIN DIMENSIONS		M. SASAO	2004/05/21	SD-54819-027			
		MATERIAL NO.	SEE TABLE				
		SIZE	THIS DRAWING CONTAINS INFORMATION THAT IS PROPRIETARY TO MOLEX INCORPORATED AND SHOULD NOT BE USED WITHOUT WRITTEN PERMISSION				
		A3	SHEET NO. 1 OF 2				

10 9 8 7 6 5 4 3 2 1



SECTION



MATING

MODEL NO. 54819-**79

REVISED EC NO: J2009-1533 DRW:ESATO 2009/06/25 CHK:D:HMATSUMOTO 2009/06/25 APPR:NUKITA 2009/06/25	DESCRIPTION GENERAL TOLERANCES (UNLESS SPECIFIED)	DIMENSION STYLE MM ONLY		SCALE 10:1	DESIGN UNITS METRIC	THIRD ANGLE PROJECTION	
		10 UNDER ±0.2	DRAWN BY H. KAWABATA	DATE 2004/05/21	TITLE USB SERIES MINI-B RECEPTACLE ASS'Y FOR SMT -LEAD FREE-		
		10 OVER 30 UNDER ±0.25	CHECKED BY K. TOJO	DATE 2004/05/21	MOLEX INCORPORATED		
		30 OVER ±0.3	APPROVED BY M. SASAO	DATE 2004/05/21	DOCUMENT NO. SD-54819-027	SHEET NO. 2 OF 2	
ANGULAR ±3 ° DRAFT WHERE APPLICABLE MUST REMAIN WITHIN DIMENSIONS	MATERIAL NO. SEE SHEET 1	THIS DRAWING CONTAINS INFORMATION THAT IS PROPRIETARY TO MOLEX INCORPORATED AND SHOULD NOT BE USED WITHOUT WRITTEN PERMISSION					

10 9 8 7 6 5 4 3 2 1

F

E

D

C

B

A

F

E

D

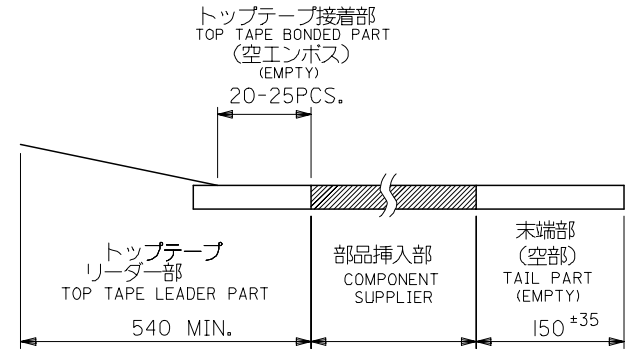
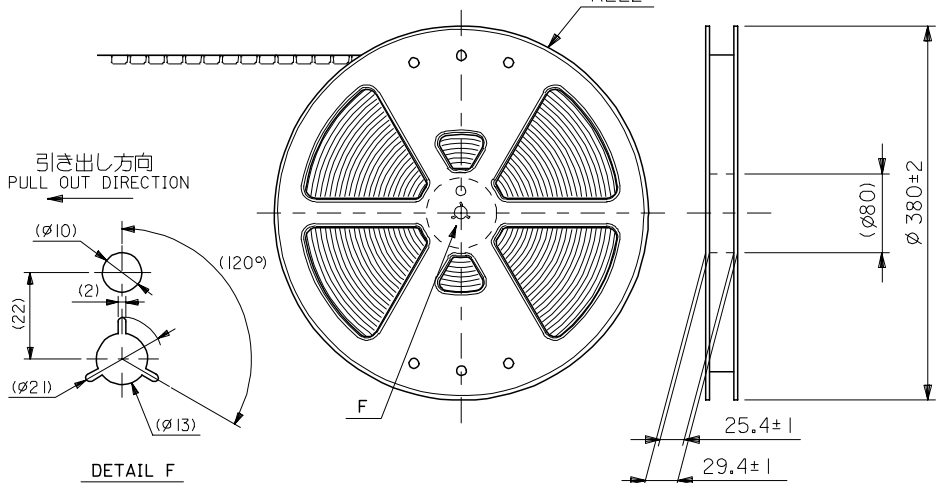
C

B

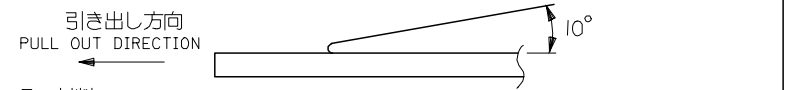
A

NOTES

- 54819-0579の詳細はSD-54819-027参照
IN THE PACKAGE PART NO.54819-0579 DETAILED, SEE SD-54819-027
- 梱包数量: 800 個/リール
NUMBER OF CONNECTORS: 800 PCS/REEL
- リードテープ長さ
LEAD TAPE LENGTH



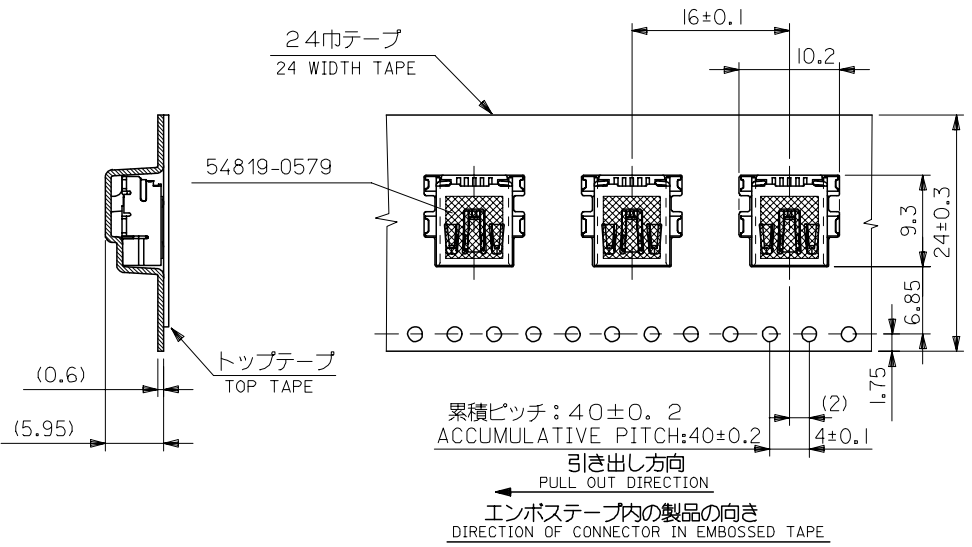
- トップテープの剥離強度: 0.1~ 1.3 N { 10 ~ 130gf }
(剥離方向は下図参照) キャリアテープ幅: 24mm
CARRIER TAPE WIDTH
PEEL-OFF FORCE OF TOP TAPE: 0.1~1.3 N { 10 ~ 130gf }
(PEELING DIRECTION AS SHOWN IN FOLLOWING FIG.)
尚、本規格値は、出荷時に適用。
THIS REQUIREMENT SHOULD BE APPLIED AT SHIPMENT
(但し、輸送時に剥離が発生しない事。)
(PEEL OFF SHOULD NOT BE ALLOWED, DURING TRANSPORTATION)



- 材料
MATERIAL
キャリアテープ: ポリプロピレン
CARRIER TAPE: POLYPROPYLENE
トップテープ: ポリエステル, ポリエチレン
TOP TAPE: POLYESTER, POLYETHLENE
リール: ポリスチレン
REEL: POLYSTYRENE

- 本製品は 54819-0578 の鉛フリー品である。
THIS PRODUCT IS LEAD FREE OF 54819-0578.

54819-0572
MATERIAL NO.



MODEL NO. 54819-**72
SCALE 2:1
DESIGN UNITS METRIC
THIRD ANGLE PROJECTION

REVISED EC NO: J2006-0378 DRWN: YANAGI MOTO 2005/08/03 CHKD: TANAKA 2005/08/03 APPR: NUKITA 2005/08/17	GENERAL TOLERANCES (UNLESS SPECIFIED)		DIMENSION STYLE MM ONLY		TITLE USB SERIES MINI-B REC.HS'G EMBOSSED ASS'Y -LEAD FREE-	
	10 UNDER	±0.2	DRAWN BY H. KAWABATA	DATE 2004/05/21	MOLEX INCORPORATED	
	10 OVER 30 UNDER	±0.25	CHECKED BY K. TOJO	DATE 2004/05/21		
	30 OVER	±0.3	APPROVED BY M. SASAO	DATE 2004/05/21		
	ANGULAR ±3 °		MATERIAL NO. SEE CHART		DOCUMENT NO. SD-54819-028	SHEET NO. 1 OF 1
DRAFT WHERE APPLICABLE MUST REMAIN WITHIN DIMENSIONS		THIS DRAWING CONTAINS INFORMATION THAT IS PROPRIETARY TO MOLEX INCORPORATED AND SHOULD NOT BE USED WITHOUT WRITTEN PERMISSION				