

Minimum wall thickness 1,5mm, alternativ panel cut-out d=16,1

Technical specification:

Rated voltage: 30 V
IEC 61076-2-101

Current rating: 2 A at 40°C
IEC 61076-2-101

Insulation resistance: >=100 MΩ
IEC 60512

Pollution degree: 3/2
IEC 60664-1

Degree of protection: IP 67, in mated condition
IEC 60529

Temperature range: -30°C ... +85°C

Mating cycles: >=100
IEC 60512-9a

Materials:

Contact: CuZn

Contact plating: Nickel, gold plated

Contact carrier: PBT GF, UL 94

Sealing: FPM

Counternut: CuZn, nickel plated

Socket housing: CuZn, nickel plated

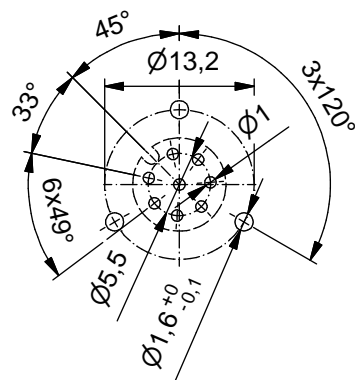
Grouting: Polyurethane-resin, UL 94

Installation specification:

Recommended torque: 1-1,2 Nm

Conec installation tool: Torque wrench: 36-000200
Insert across flats 19: 36-000250

Pin layout PCB



Part no:	Description:	Pos	Length L:
43-01665	SAL - 12S - FKH8 - P6,75	8	6,75mm

DO NOT ALTER CAD DRAWING BY HAND

Directive 2002/95/EC RoHS compliant

Index: a 07.12.12 MG Ä4555
Data sheet revised, technical specification changed, materials corrected

dim. in mm

date	name
drawn 29.09.10	Franz
appd. 29.09.10	Schmidt

general tolerance: 0 ± 0,50mm
0,0 ± 0,25mm
0,00 ± 0,10mm

THIS DRAWING MAY NOT BE COPIED OR REPRODUCED IN ANY WAY, AND MAY NOT BE PASSED ON TO A THIRD PARTY WITHOUT WRITTEN PERMISSION. OWNERSHIP AND COPYRIGHT OF CONEC GmbH



title:
Female socket M12x1 with dip solder shielded, backmounting

dwg no:
43K1A1197

part no:
see table