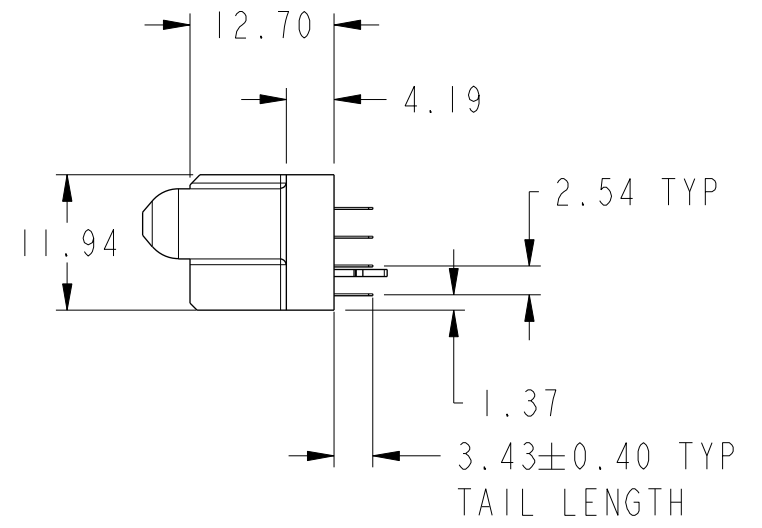
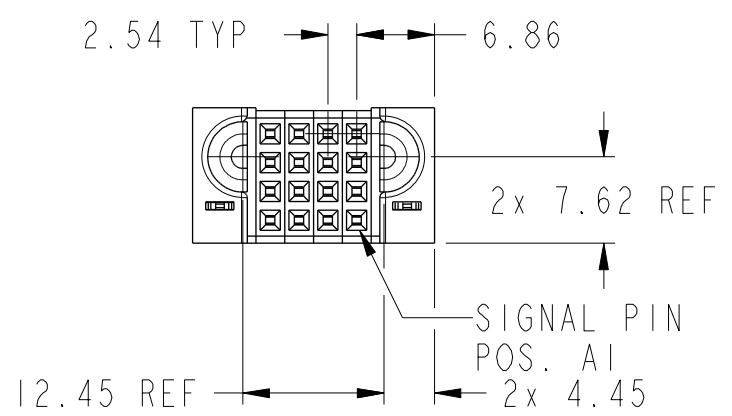
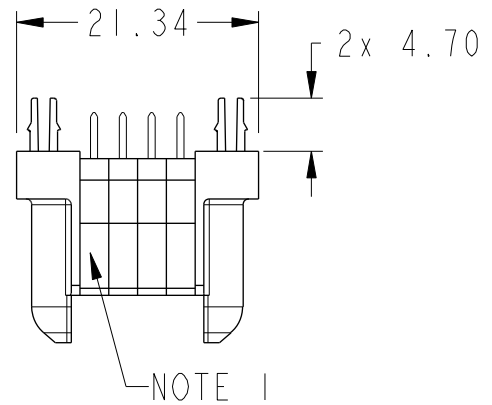
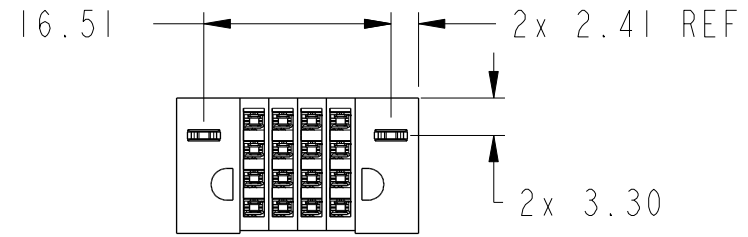


PRODUCT NUMBER SEE SHEET 2

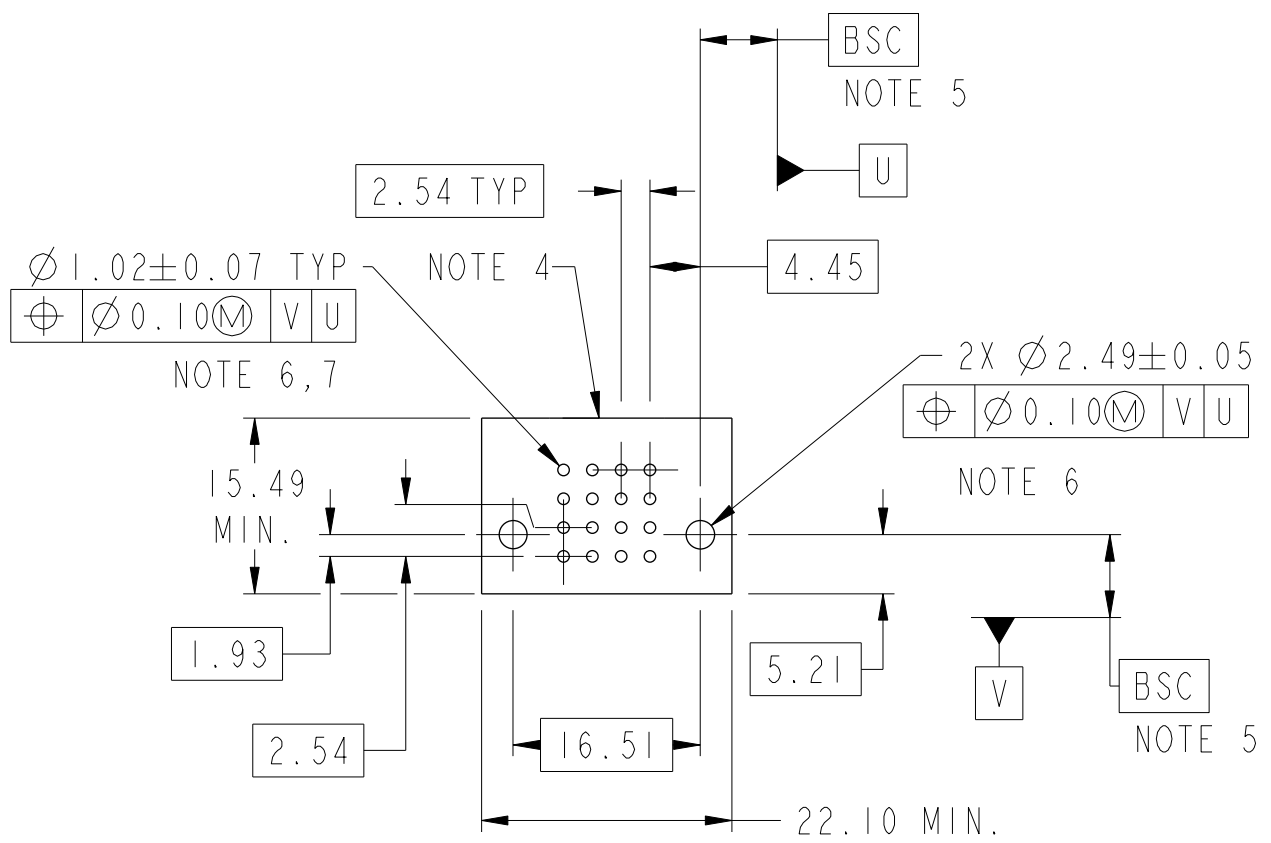


Copyright FCI.

spec ref		dr	Rainbow Zhan	2015/01/07	projection	MM	size	A3	scale	3:2	
tolerance std ASME Y14.5		eng	Rainbow Zhan	2015/01/14			ecn no	-			
TOLERANCES UNLESS OTHERWISE SPECIFIED		chr	-	-	product family	PowerBlade+	rel level		Released		
		appr	Pei-Ming Zheng	2015/01/14			rev		A		
surface	linear	0.X	±0.50	www.fci.com	title	16S	dwg no	10106268-0004001	cat. no.		Product - Customer Drw
		0.XX	±0.25						sheet 1 of 3		
	angular	0°	±2°						PDS: Rev :A		

PRODUCT NO.	ROWS	SIGNAL				
		E1	4	3	2	1
10106268-0004001LF	D C B A					

CODE	DESCRIPTION
E	STD SIGNAL CONTACT
HA	METAL HOLD DOWN



Copyright FCI.

dr	Rainbow Zhan	2015/01/07	projection	MM	size	A3	scale	3:2		
eng	Rainbow Zhan	2015/01/14			ecn no	-				
chr	-	-	product family	PowerBlade+	rel level					
appr	Pei-Ming Zheng	2015/01/14			Released					
www.fci.com		cat. no.	title		16S VT STB RECEPTACLE		dwg no	10106268-0004001	rev	A
Product - Customer Drw				sheet 2 of 3						

1

2

3

4

A

A

NOTES:

- 1) "FCI", PART NUMBER AND DATE CODE TO BE MARKED ON THIS SURFACE.  
THE MARK CAN BE OMITTED IF THERE IS NOT ENOUGH SPACE ON THIS SURFACE.
- 2) MATERIALS:  
-HOUSING - GLASS FILLED WITH HIGH TEMP THERMOPLASTIC, UL94V-0.  
-SIGNAL CONTACT - COPPER ALLOY.  
-POWER CONTACT - HIGH CONDUCTIVITY COPPER ALLOY.
- 3) PLATING SPECIFICATION REFER TO FCI 10116351
- 4) DENOTES CONNECTOR KEEP OUT ZONE.
- 5) DATUM AND BASIC DIMENIONS WERE ESTABLISHED BY CUSTOMER.
- 6) ALL HOLE DIAMETERS ARE FINISHED HOLE SIZES.
- 7) 1.15 ± 0.025MM DRILLED HOLE PLATED WITH 0.00762MM MIN Sn  
OVER 0.0254-0.0762MM Cu PLATING TO ACHIEVE A 1.02 ± 0.07MM HOLE.
- 8) PRODUCT SPECIFICATION REFER TO FCI GS-12-658.  
APPLICATION SPECIFICATION REFER TO FCI GS-20-141.  
PRODUCT PACKAGED IN TRAYS, REFER TO FCI GS-14-1502.
- 9) THE VOID CORING IN BETWEEN POWER MODULES, SIGNAL  
MODULES AND END MODULES ARE OPTIONAL AND THE SHAPE  
MAY BE DIFFERENT FOR OPTIMIZE THE MOLDING PROCESS. THE  
VOID CORING WILL NOT EFFECT TO PRODUCT FUNCTION.

B

B

C

C

D

D



Copyright FCI.

dr	Rainbow Zhan	2015/01/07	projection 	MM 	size	A3	scale	1:1	
eng	Rainbow Zhan	2015/01/14			ecn no	-			
chr	-	-			rel level	Released			
appr	Pei-Ming Zheng	2015/01/14	product family	PowerBlade+					
		title	16S VT STB RECEPTACLE		dwg no	10106268-0004001		rev	A
www.fci.com		cat. no.	Product - Customer Drw		sheet 3 of 3				

2

3