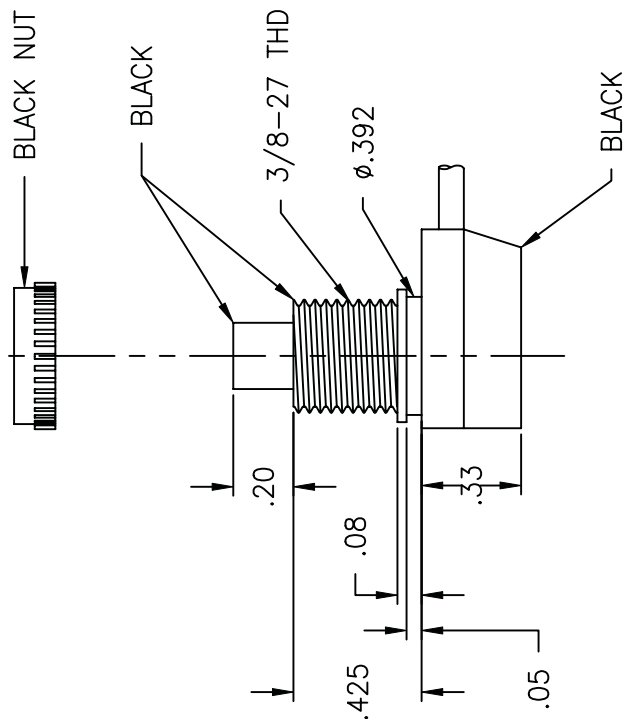
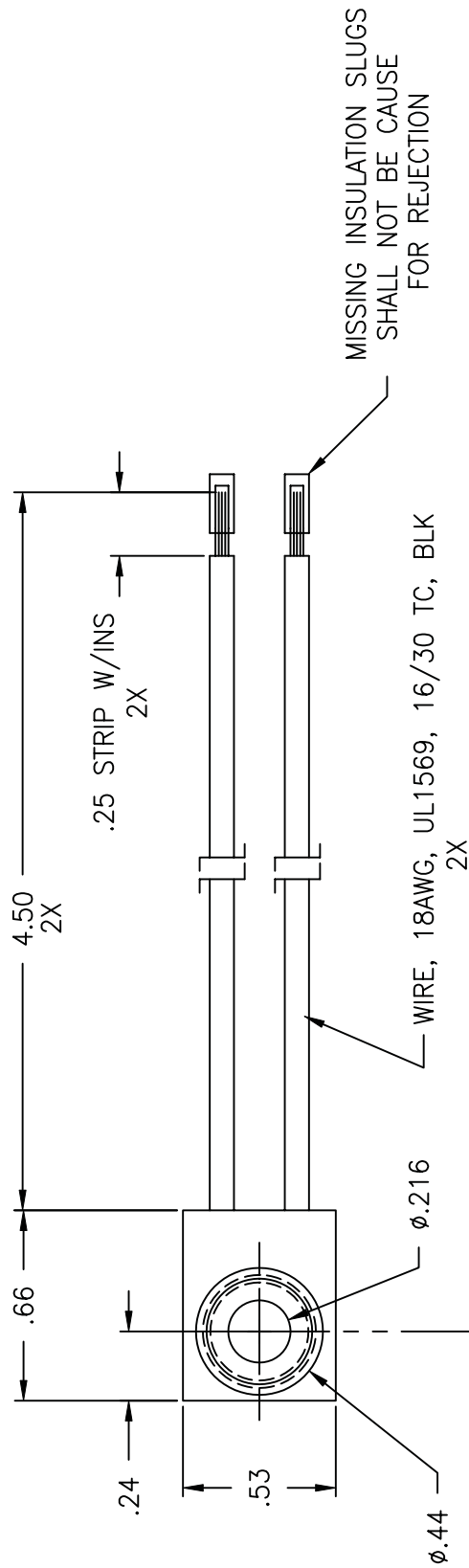
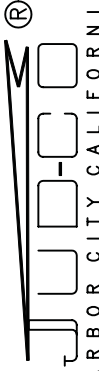


LTR	EN	DESCRIPTION	APPR	BY	DATE
A	-	INITIAL RELEASE	MT	DC	02-23-10



JUDCO INVENTORY NO. 40-4816-00
 SWITCH TYPE: PUSH ON - PUSH OFF, SPST
 GOLD OVER NICKEL PLATING ON COPPER
 TERMINALS AND CUPS.
 NUT INCLUDED

CUSTOMER:
 CUSTOMER P/N:
 APPROVED BY: _____
 DATE: _____

DIMENSIONS IN INCHES DIMENSIONS ARE REFERENCE		 HARBOR CITY CALIFORNIA	
DRAWN:	DC	02-23-10	TITLE
APPR:	KJ	02-23-10	J-188A-1 NON UL
ENG'G:	IS	02-23-10	DWG. NO.
1415U1547A.DWG		SHEET	
1415U1547A.DWG		1415-1547	
1 OF 1		1 OF 1	

This document embodies a product, component, and/or design proprietary to JUDCO MANUFACTURING INC., and which is protected either as a trade secret, by U.S. Patent, or by copyright. It may not be used in any way without written express consent of JUDCO MANUFACTURING INC.