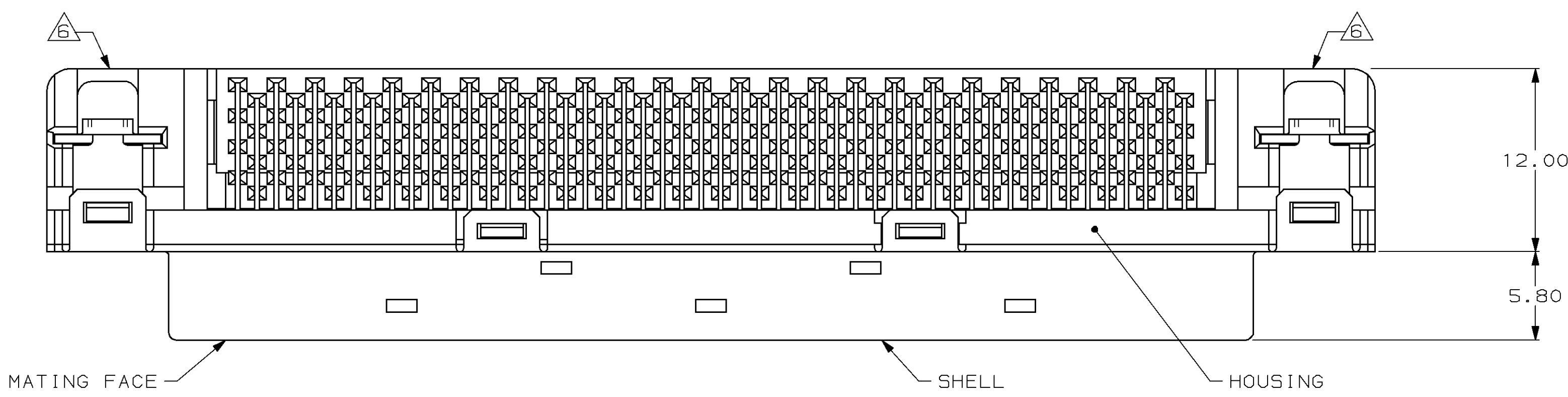
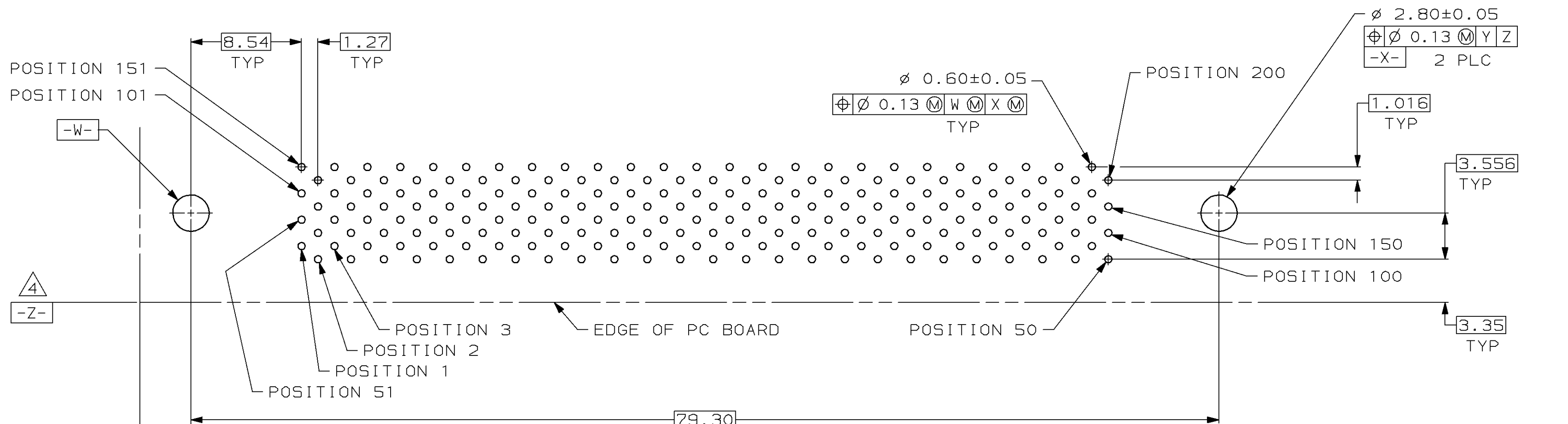
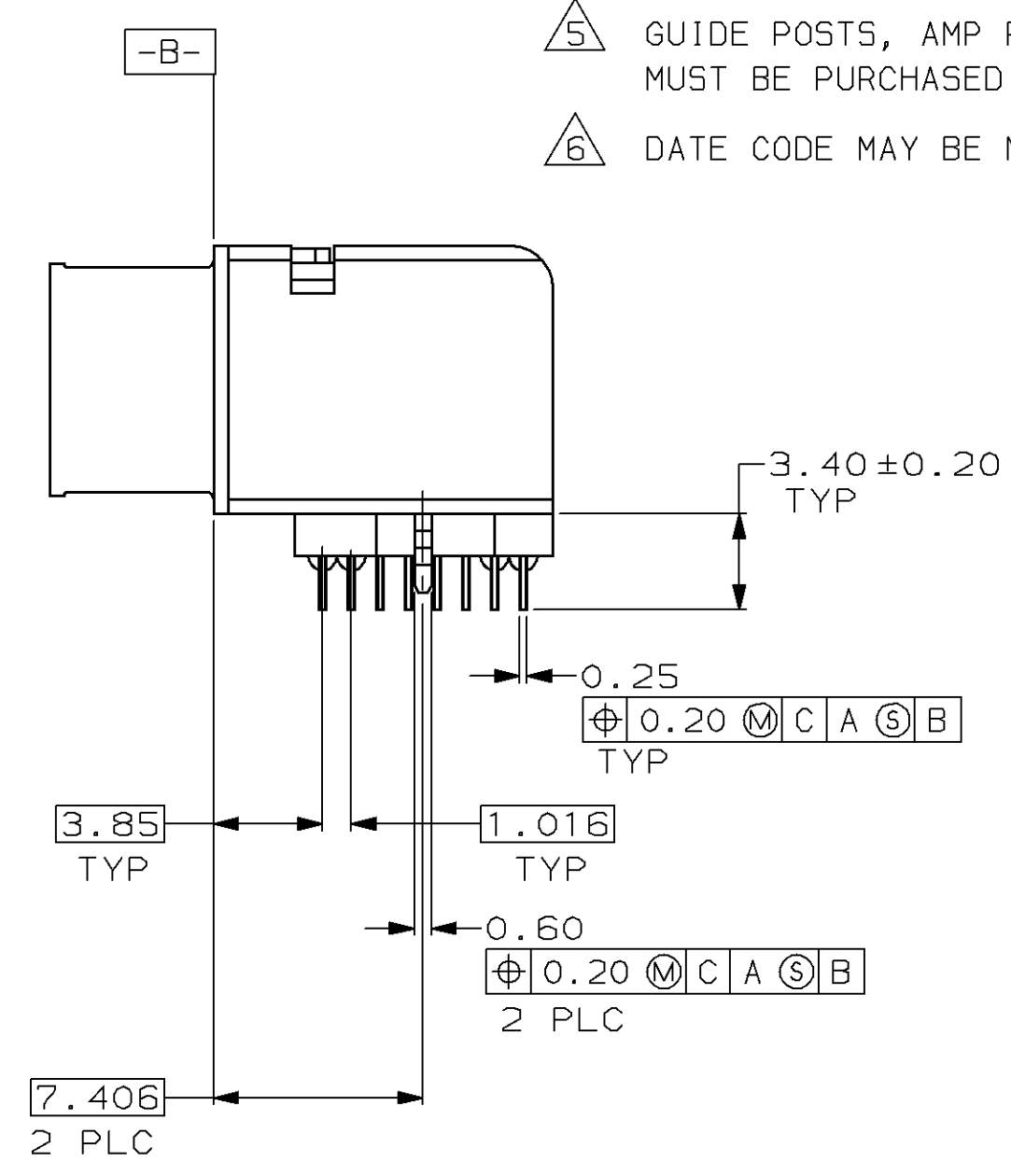
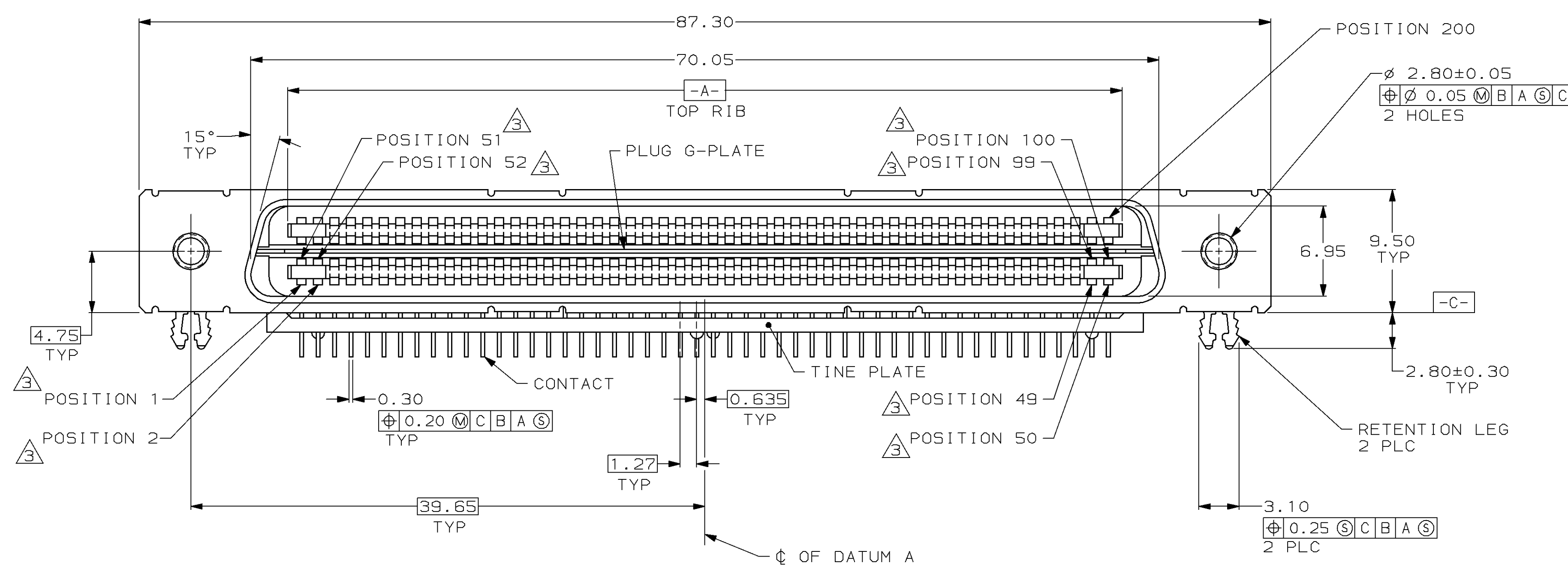


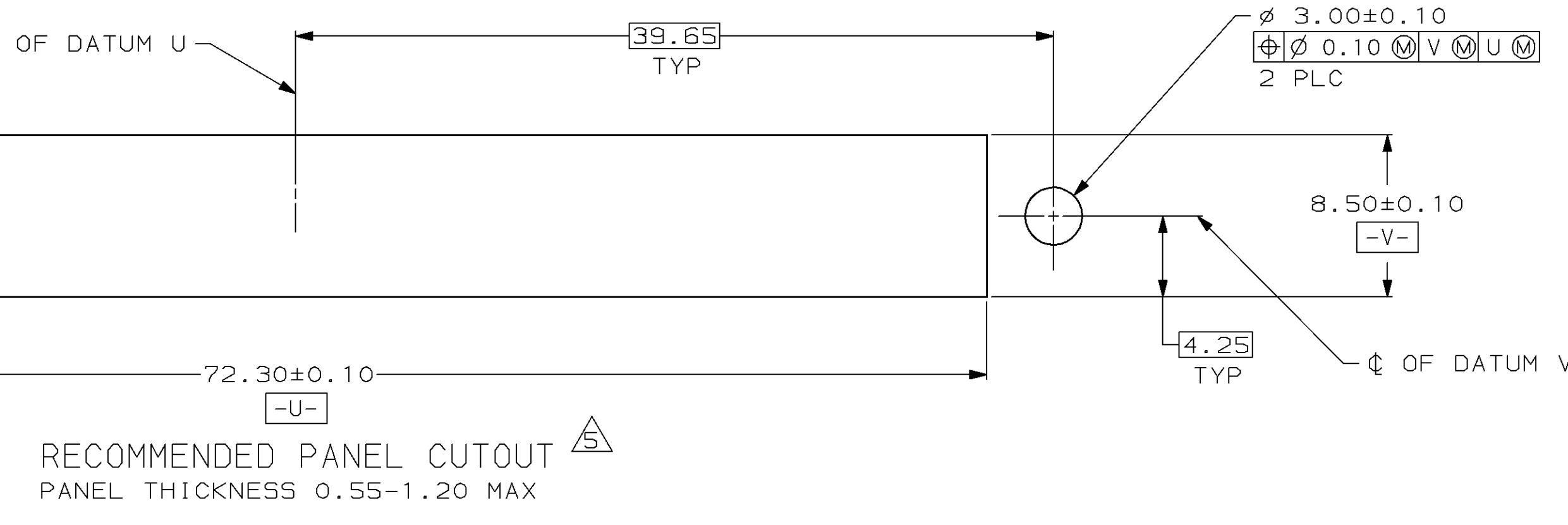
LOC	DIST	REVISIONS			
P	LTR	DESCRIPTION	DATE	DMN	APVD
0		RELEASED PER NPR 5577 WAS 96-1998-5-2	27 SEP 96	-	-
A		REV PER EC 0410-434-97	11 NOV 97	CD	JM



- ① HOUSING AND TINE PLATE: POLYESTER, NATURAL.
CONTACTS: COPPER ALLOY.
SHELL: CARBON STEEL.
RETENTION LEG: BRASS.
PLUG G-PLATE: STAINLESS STEEL.
- ② SHELL: 3.00µm MIN NICKEL OVER 1.30µm MIN COPPER.
RETENTION LEG: 2.00µm MIN TIN-LEAD OVER 1.00µm MIN NICKEL.
CONTACTS: 0.76µm MIN GOLD FOR A LENGTH OF 3.00 MIN FROM MATING END,
2.54 µm MIN TIN-LEAD FOR A LENGTH OF 2.80 MIN FROM OPPOSITE END,
BOTH OVER 1.27µm MIN NICKEL.
- ③ CONTACTS 1,2,49,50,51,52,99 AND 100, ARE SEQUENCED TOWARDS MATING FACE.
- ④ DATUMS AND BASIC DIMENSIONS ESTABLISHED BY CUSTOMER.
- ⑤ GUIDE POSTS, AMP PART NUMBER 177734-1, FOR PANEL MOUNTING
MUST BE PURCHASED SEPARATELY.
- ⑥ DATE CODE MAY BE MARKED ON EITHER END.



RECOMMENDED PC BOARD MOUNTING DIMENSIONS
COMPONENT SIDE



787885-1
PART NUMBER

THIS DRAWING IS A CONTROLLED DOCUMENT.		DMN C. DORWART 27 SEP 96	AMP AMP Incorporated Harrisburg, PA 17105-3508
DIMENSIONS: mm		CHK J. MOSIER 07 OCT 96	
TOLERANCES UNLESS OTHERWISE SPECIFIED:		NAME J. MOSIER 07 OCT 96	PLUG ASSEMBLY, RIGHT ANGLE .050 CHAMP™
0 PLC ± 1 PLC ± 2 PLC ±0.25 3 PLC ± 4 PLC ± ANGLES ±2°		APPLICATION SPEC	
MATERIAL		WEIGHT	SIZE A1
FINISH		CUSTOMER DRAWING	CAGE CODE 00779
			DRAWING NO 787885
			SCALE 4:1
			SHEET 1 OF 1
			REV A