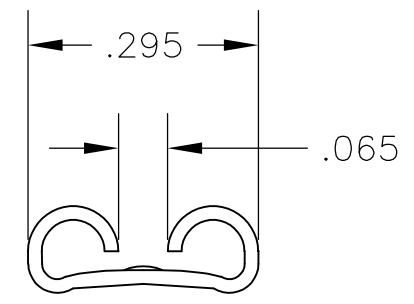


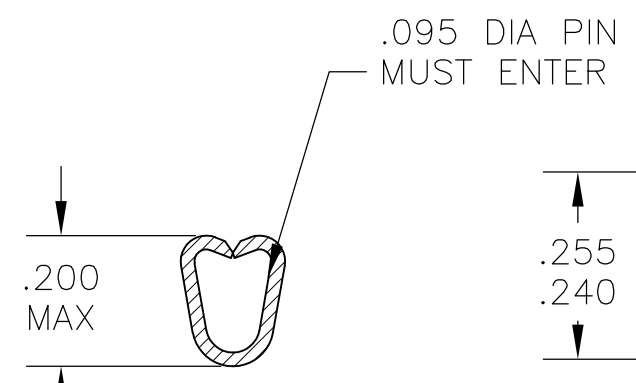
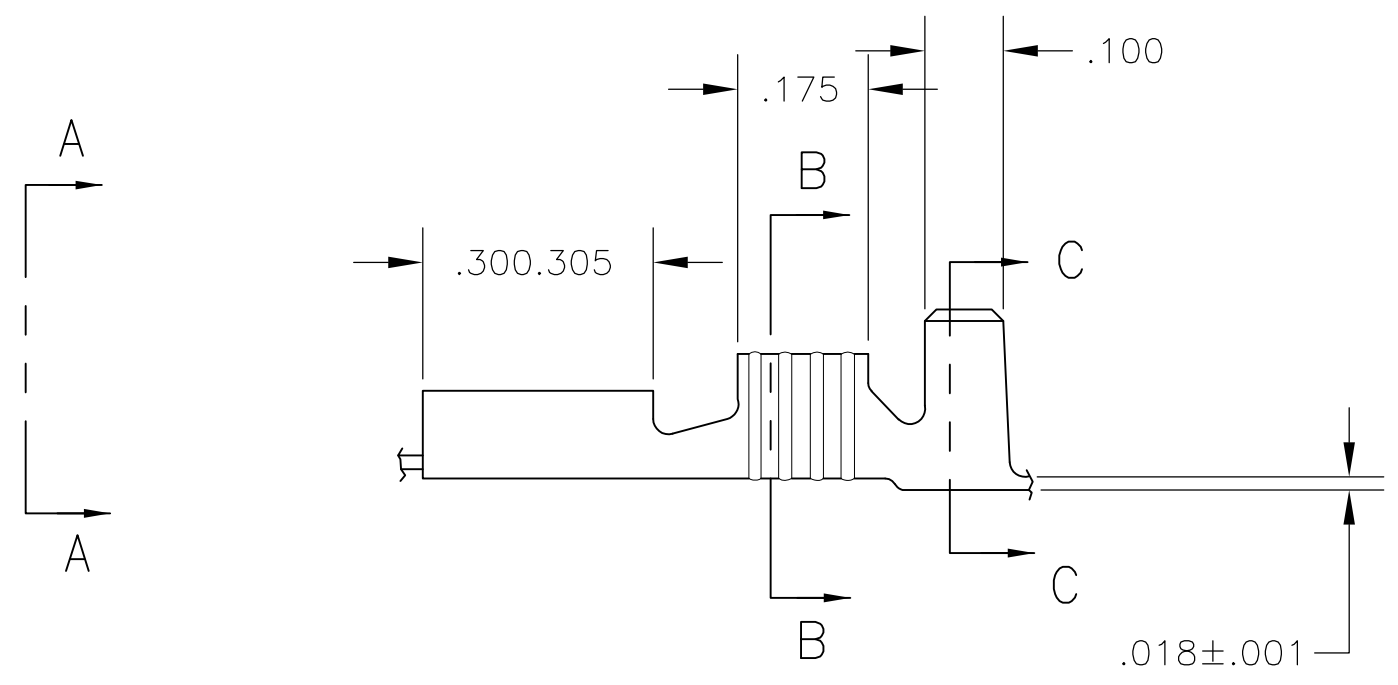
THIS DRAWING IS UNPUBLISHED. RELEASED FOR PUBLICATION
 © COPYRIGHT - By - ALL RIGHTS RESERVED.

LOC	DIST	REVISIONS			
P	LTR	DESCRIPTION	DATE	DWN	APVD
AF	50	B	REVISED PER ECR-12-013445	18OCT12	KH PD

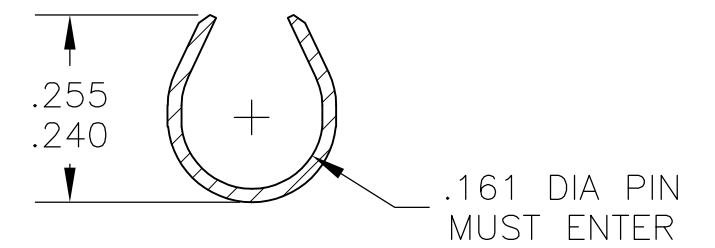
- SUPPLIED IN LOOSE PIECE
- MATING TAB THK IS $.032 \pm .001$
- WIRE SIZE IS #14 - #12 AWG
- INSULATION RANGE IS .160 MAX DIA



VIEW A-A



SECT B-B
PRE-CRIMP WITH
.140 F CRIMPER



SECT C-C
PRE-CRIMP WITH
.210 F CRIMPER

41858-1
PART NO.

THIS DRAWING IS A CONTROLLED DOCUMENT.		DWN JR RUTH 20FEB06	TE Connectivity															
DIMENSIONS: INCHES		CHK P DESANTIS 20FEB06																
TOLERANCES UNLESS OTHERWISE SPECIFIED:		APVD P DESANTIS 20FEB06	NAME RECEPTACLE, FASTON, .250 SERIES, PRE-CRIMP															
<table border="0"> <tr><td>0 PLC</td><td>± -</td></tr> <tr><td>1 PLC</td><td>± -</td></tr> <tr><td>2 PLC</td><td>± .010</td></tr> <tr><td>3 PLC</td><td>± -</td></tr> <tr><td>4 PLC</td><td>± -</td></tr> <tr><td>ANGLES</td><td>± -</td></tr> </table>		0 PLC	± -	1 PLC	± -	2 PLC	± .010	3 PLC	± -	4 PLC	± -	ANGLES	± -	PRODUCT SPEC -	SIZE A3	CAGE CODE 00779	DRAWING NO C-41858	RESTRICTED TO -
0 PLC	± -																	
1 PLC	± -																	
2 PLC	± .010																	
3 PLC	± -																	
4 PLC	± -																	
ANGLES	± -																	
MATERIAL BRASS		FINISH -	WEIGHT -		CUSTOMER DRAWING													
			SCALE 4:1	SHEET 1 OF 1	REV B													