

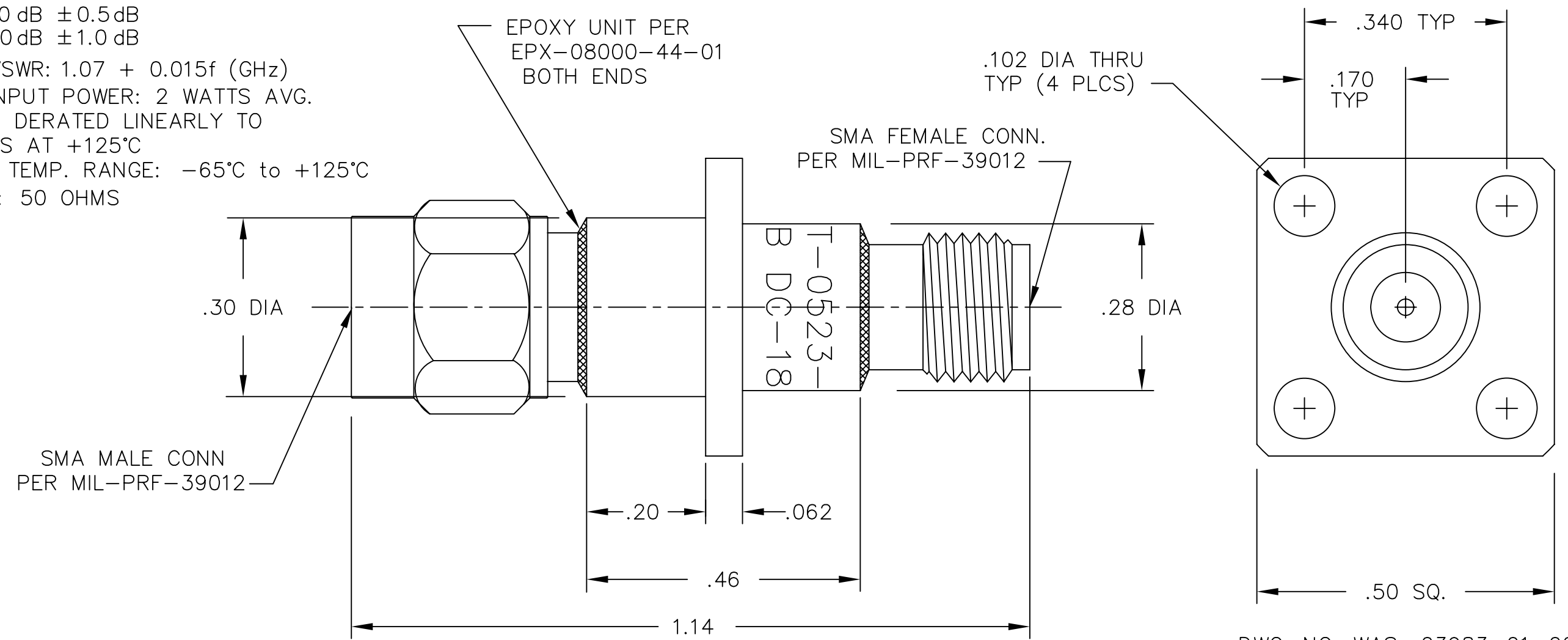
NOTES:

1.0 ELECTRICAL SPECIFICATIONS:

- 1.1 FREQUENCY RANGE: DC to 18.0 GHz
- 1.2 ATTENUATION VALUES: 1 THRU 30dB
IN 1dB INCREMENTS
- 1.3 ATTENUATION ACCURACY:
0dB +0.3/-0dB
1 - 6 dB ±0.30dB
7 - 20 dB ±0.5dB
21 - 30dB ±1.0 dB
- 1.4 MAXIMUM VSWR: 1.07 + 0.015f (GHz)
- 1.5 MAXIMUM INPUT POWER: 2 WATTS AVG.
AT +25°C DERATED LINEARLY TO
0.5 WATTS AT +125°C
- 1.6 OPERATING TEMP. RANGE: -65°C to +125°C
- 1.7 IMPEDANCE: 50 OHMS

2.0 MARKING:

- 2.1 MARK UNIT AS SHOWN
(REF.: INK-04189-27-XX)



DWG. NO. WAS: 03983-01-00

UNLESS OTHERWISE NOTED DIMENSIONS ARE IN INCHES AND TOLERANCES ARE:
 3 PLACE DECIMALS ±.005
 2 PLACE DECIMALS ±.02
 FRACTIONS ±1/64
 PARALLELITY: T.I.R. _____
 FLATNESS: T.I.R. _____
 CONCENTRICITY: T.I.R. _____
 ANGLES AND PERPENDICULARITY: ±1'

FSCM NO.
34078

MIDWEST MICROWAVE

NOTICE: The information contained in this drawing is proprietary and must not be used without the permission of Midwest Microwave

TITLE
ATTENUATOR

DRAWN/DATE
A.BEATTY
7/19/91

ENG./DATE
G.KOZAK
7/19/91

DRAWING NUMBER
ATT-0523-XX-SMA-02

CHECKED/DATE
C.RICKARD
7/19/91

APPROVED/DATE

SCALE: 5=1 SHEET 1 of 1

REV.	DESCRIPTION	DATE
-	RELEASED	5/10/82
A	ECR 1616	8/2/82
B	ECR 3603	5/22/85
C	ECR 6545 (RENUMBER)	7/20/89
D	ECN 10779	7/19/91
E	ECN 11260	11/26/91
F	ECN 12565	4/14/93
G	ECN 13324	2/10/94
G1	ADDED TITLEBLOCK	4/7/05