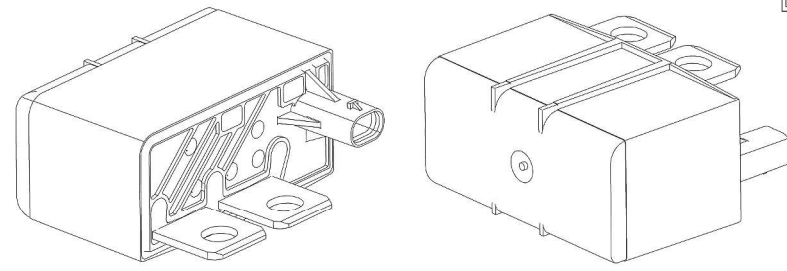
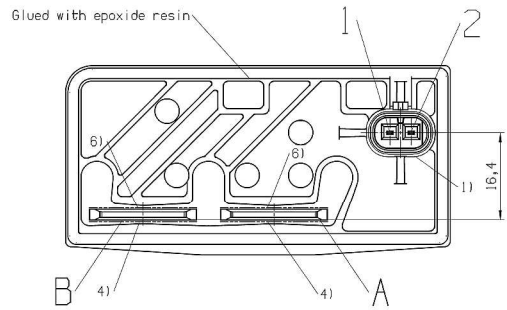
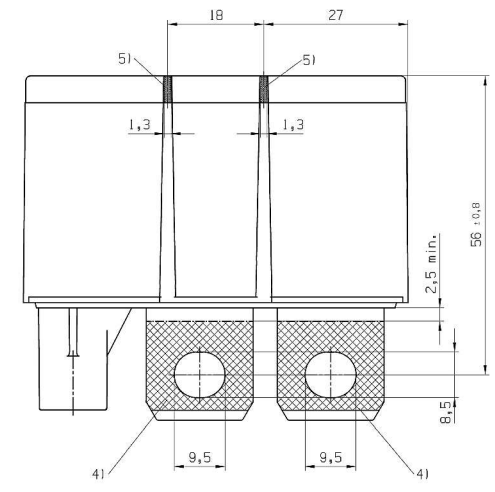
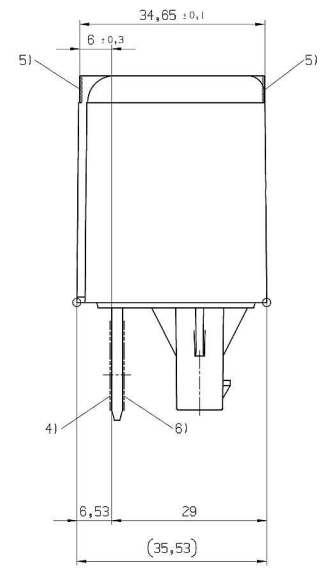
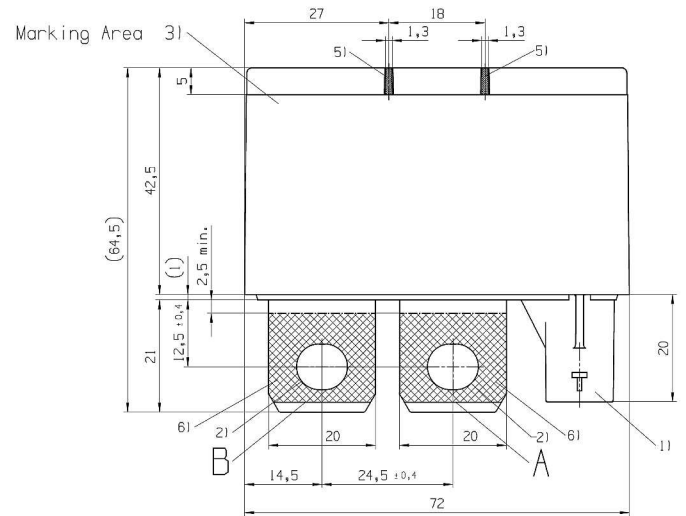
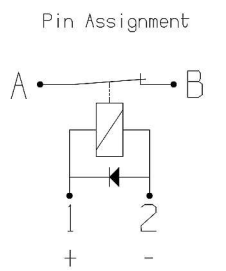
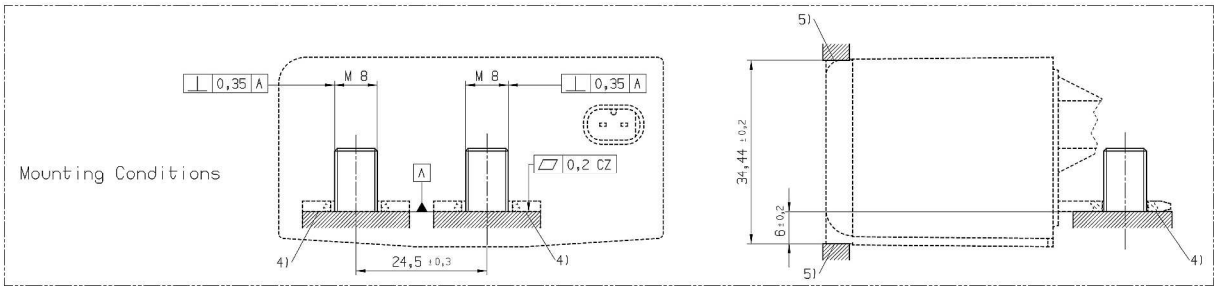


PART	MATERIAL	COLOUR	PLATING
COVER	PA 66 GF25	Ultramarine Blue	
BASE	PA 66 GF25	Black	
COIL TERMINAL 1 and 2	CuSn		Sn
LOAD TERMINAL A and B	Cu		Sn



CHANGE REV. A1:
 Drafting error clarification
 CHANGES REV. A1:
 Initial Release Engineering status changed from PRELIMINARY to RELEASE.
 CHANGES REV. B1:
 Correcting 21.5mm width to 20mm
 See customer request 2008-11-25 / TE answer 2008-11-26.
 See change of dimension 24 to 25 in Table B
 See change of dimension 24 to 18 in Table B10
 REVISIONS 51 up to 70 have not been order/boxed.
 Drawing created with REV. 51
 similar to V23230-D2001-001 REV02_04



- 1) Connector AMP MCP1.2, 2pos. Keying B, appropriate for TE part no. 2-1670916-1
- 2) Permitted Torque: 16,5 Nm max.
- 3) Labelling with following information:
 - TE-Logo and -part number
 - Nominal Voltage
 - Date Code (Day-Month-Year)
 - Circuit Diagram
- 4) Seating Area on Leadframe
- 5) Seating Area in Fusebox
- 6) Contact area for cable lugs. Recommended cable lug: Tubular Cable Lug 50mm², part-no. 16225, supplier: WEITKOWITZ

(...): Auxiliary Dimension

TE PN		PART NUMBER		PAPER SIZE	
I-1414995-0		V23230-D2001-B200		A1	
PROPRIETARY THE REPRODUCTION, TRANSMISSION OR USE OF THIS DOCUMENT OR ITS CONTENTS IS NOT PERMITTED WITHOUT EXPRESSED WRITTEN AUTHORITY. OFFENSES WILL BE LITIGATED FOR ALL DAMAGES, ALL RIGHTS, INCLUDING RIGHTS CREATED BY REGISTERED PATENTS GRANTED FOR A UTILITY MODEL OF DESIGN, ARE RESERVED.			CHANGES TO THIS DRAWING MUST BE DONE ONLY IN CAD		
APPLICABLE SPEC.:			FINISH		
TOLERANCE UNLESS SPECIFIED OTHERWISE ISO 2015, ISO 2768-M			DIMENSIONS UNLESS OTHERWISE SPECIFIED DIMENSIONS IN MM		
DWG. 2008-10-17 APP. 2008-11-22 REV. 1			PART NAME HCR 200 N/C 12V		
AL: Location 71: Internal 51: Internal			DIMENSION 4: Refer to Location LOCATION: Bin P		
REV. CHANGE ORDER DATE APP.			PART NO. V23230-D2001-B200		
			WEIGHT ca. 230g MATERIAL SCALE DIMENSIONS APPLY PLATING		
			CUSTOMER DRAWING SHEET 1 OF 1		