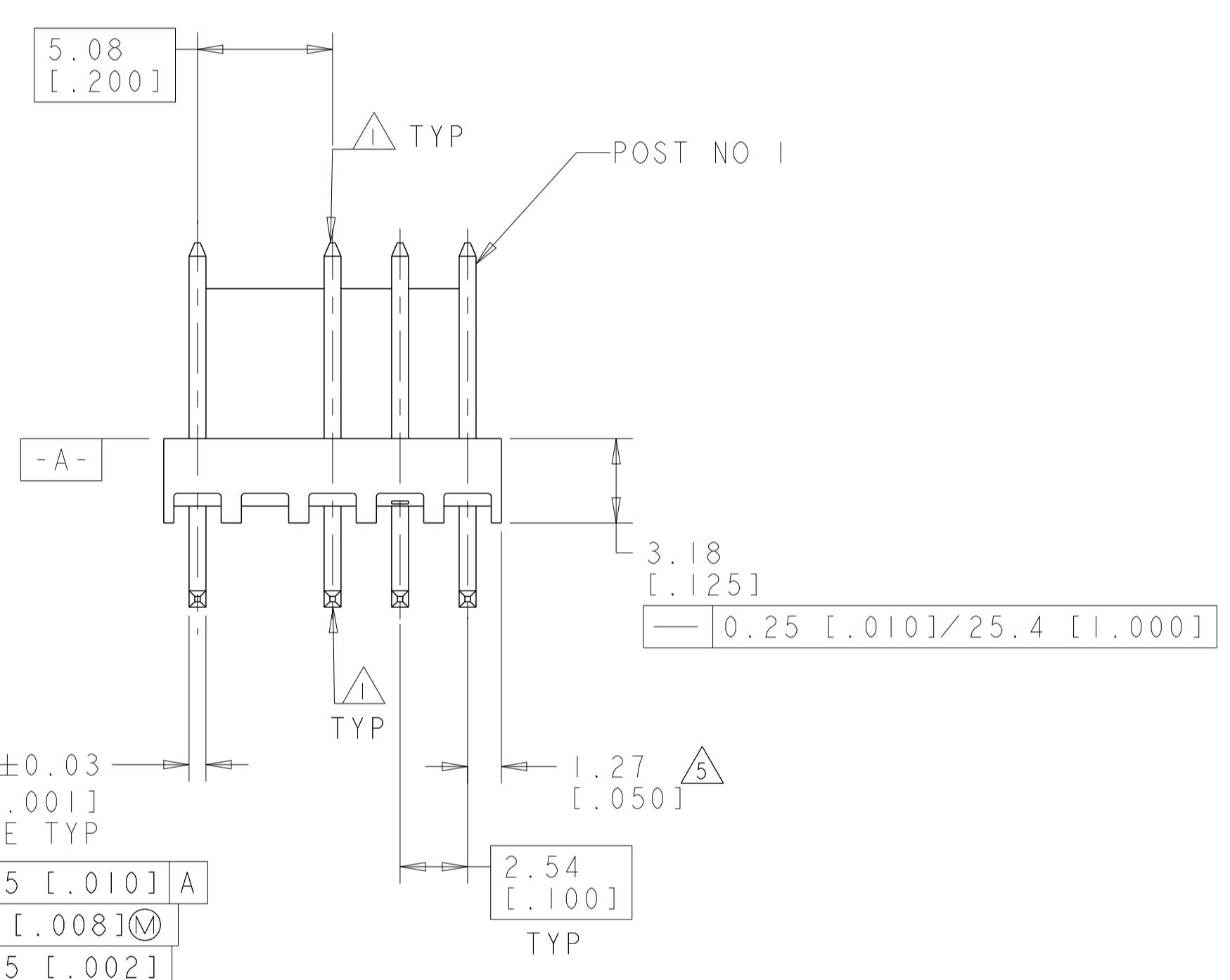
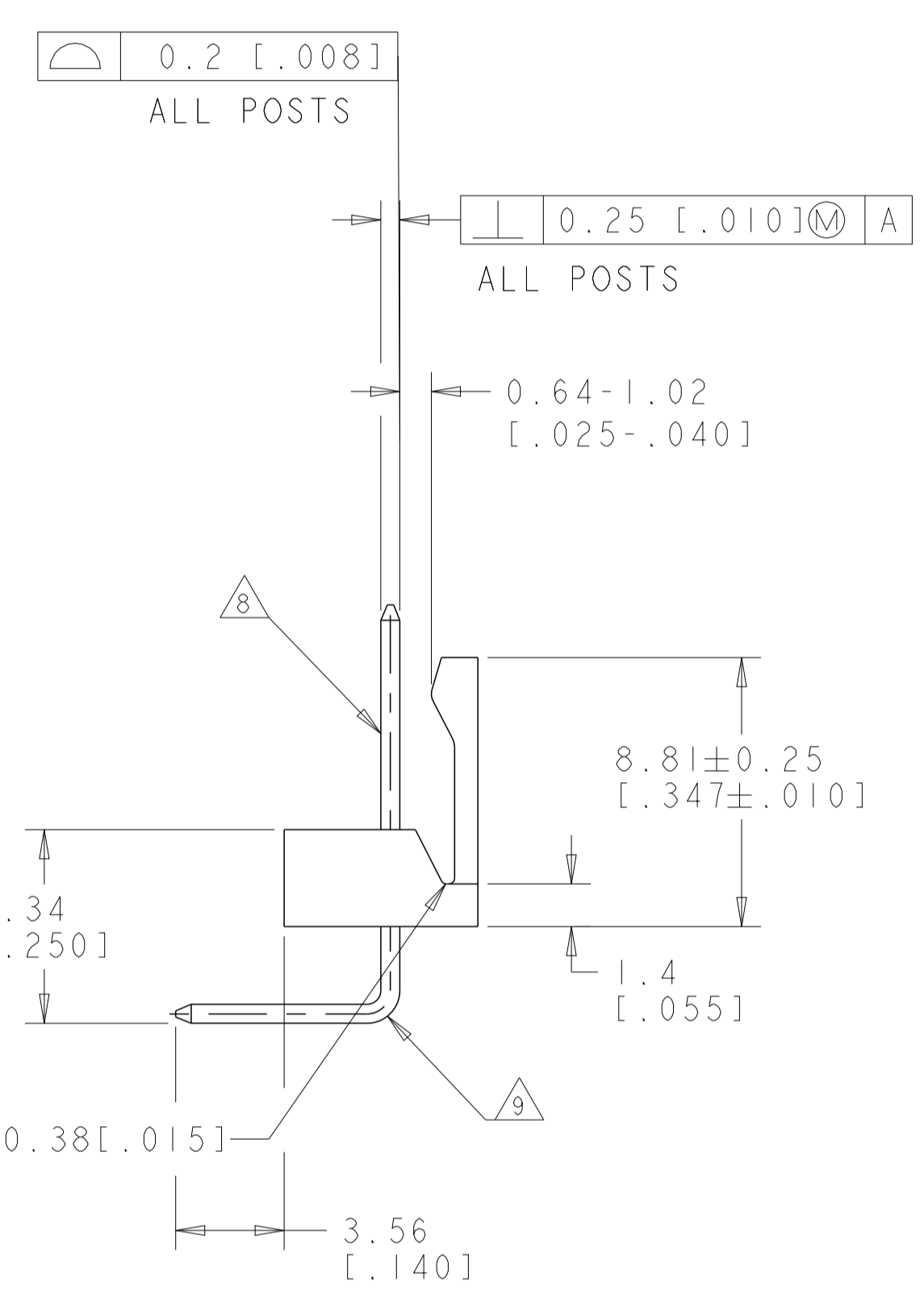
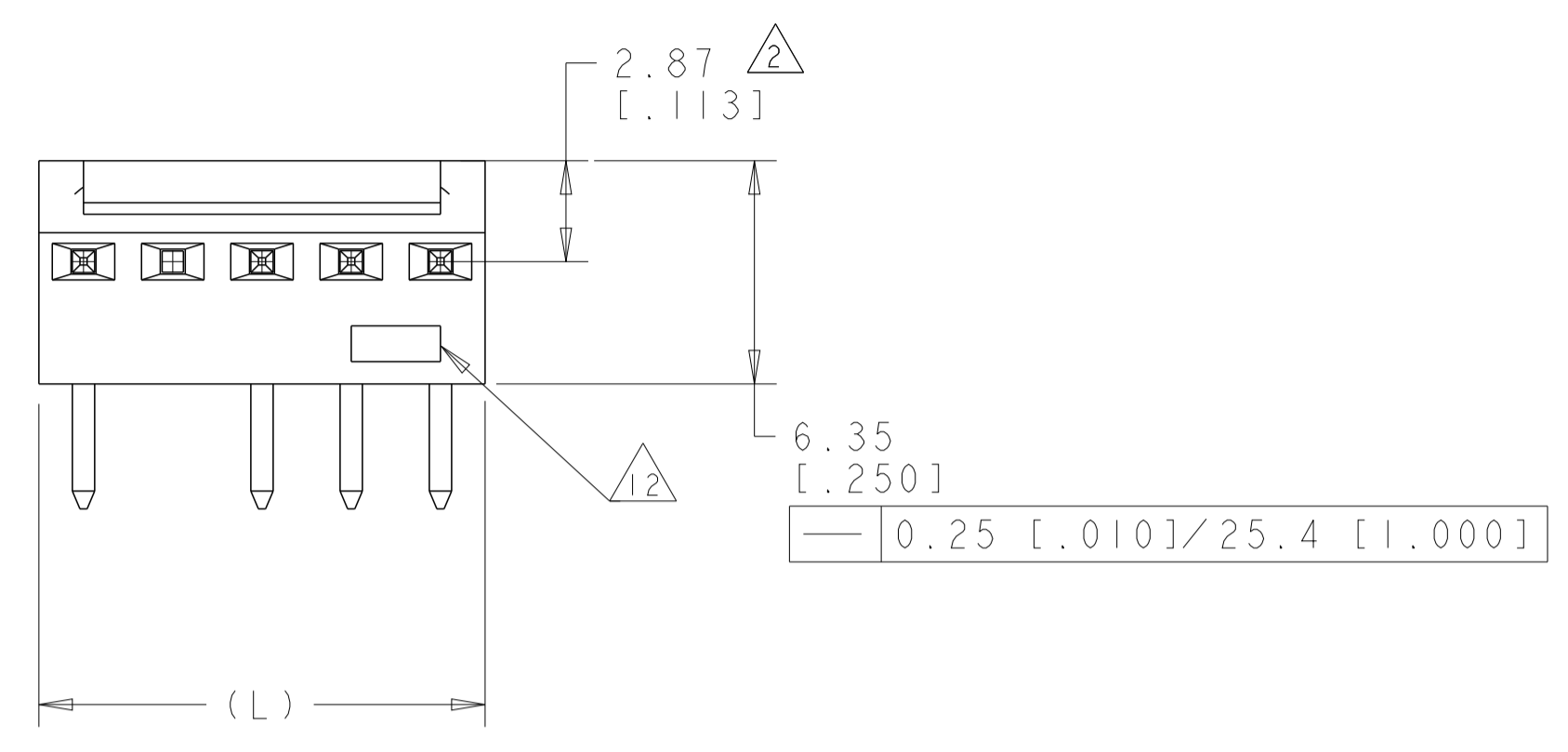
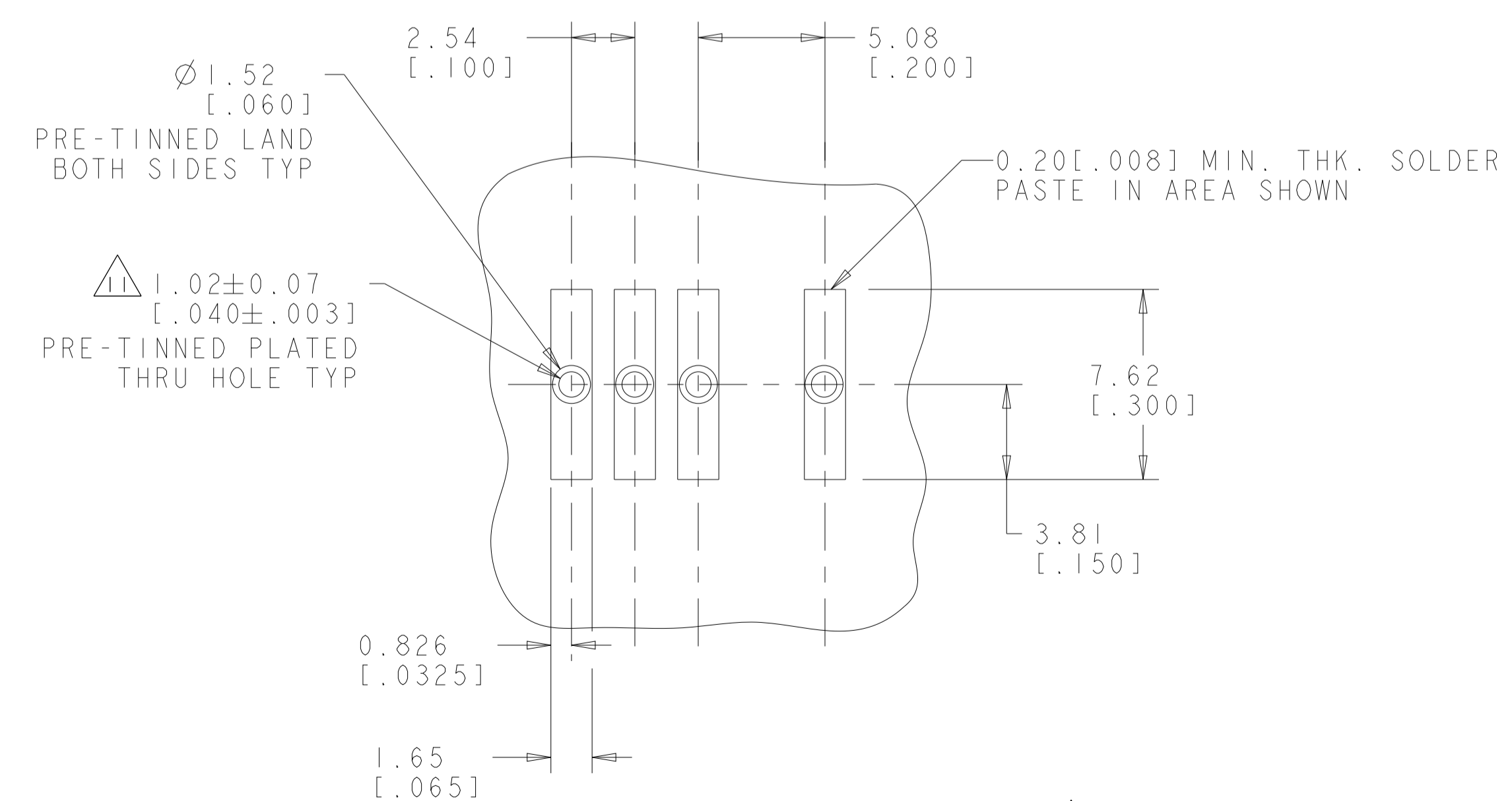


LOC		DIST		REVISIONS			
CM	00	P	LTN	DESCRIPTION	DATE	DWN	APVD
		D		REVISED PER ECO-12-009789	09OCT2012	KH	SM



6	2	0.25 [.010] A
6	6	0.2 [.008] M A
		0.05 [.002]



RECOMMENDED MOUNTING HOLE PATTERN FOR 1.57±0.20 [.062±.008] THICK P.C. BOARD

- 1 POST WITHSTAND 13 NEWTONS (3 LBS) MIN AXIAL FORCE IN DIRECTION SHOWN WITHOUT DISLODGING.
- 2 MEASURED AT [-A-].
- 3. PARTS COMPLY WITH SOLDERABILITY SPEC 109-11-2.
- 4 MATERIAL: HOUSING: NYLON, 4/6, HIGH TEMP, BLACK.
POST: COPPER ALLOY (SEE NOTES 8 & 9 FOR PLATING.)
- 5 COORDINATE DIMENSION APPLIES FROM CENTER OF ACTUAL FEATURE.
- 6 POSTS TO BE MEASURED WHEN STRIP HELD FLAT.
- 7. DIMENSIONS IN BRACKETS ARE IN INCHES.
- 8 PLATING: GOLD PLATE AREA, 0.00038 [.000015] GOLD OR 0.00008 [.000003] MIN GOLD FLASH OVER 0.00030 [.000012] PALLADIUM NICKEL PER TE CONNECTIVITY'S DISCRETION, ALL SIDES, OVER NICKEL UNDERPLATE, 0.00127 [.000050] MIN., ALL SIDES AND ENTIRE LENGTH OF POST.
- 9 PLATING: MATTE TIN PLATE AREA, 0.00381-0.00889 [.000150-.000350] THICK, ALL FOUR SIDES 3.18 [.125].
- 10 TOLERANCES APPLY TO SOLDER SIDE OF BOARD.
- 11 ONE HOLE MAY BE UNDERSIZED 0.81-0.90 [.032-.035] DIAMETER FOR ASSEMBLY RETENTION DURING PROCESSING.
- 12 TE LOGO, UL, AND CSA TRADEMARKS TO APPEAR ON THIS SURFACE.

YES	4	12.70 [.500]	5	1744054-1
LEAD FREE	OMITTED POST(S) NO.	L	NO OF POSN	PART NO

THIS DRAWING IS A CONTROLLED DOCUMENT.

DIMENSIONS: mm [INCHES]

TOLERANCES UNLESS OTHERWISE SPECIFIED:

0 PLC	±
1 PLC	±
2 PLC	±0.131 [.005]
3 PLC	±
4 PLC	±
ANGLES	±0°30'
FINISH	4

MATERIAL: 4

TE Connectivity

NAME: MTA-100 HEADER ASSY, HIGH TEMPERATURE FRICTION LOCK, .025 SQUARE, RIGHT ANGLE, .000015 GOLD, OMIT POST 4

SIZE: A1

WEIGHT: -

CAGE CODE: 1744054

DRAWING NO: 100779

SCALE: 5:1

SHEET: 1 OF 1

REV: D