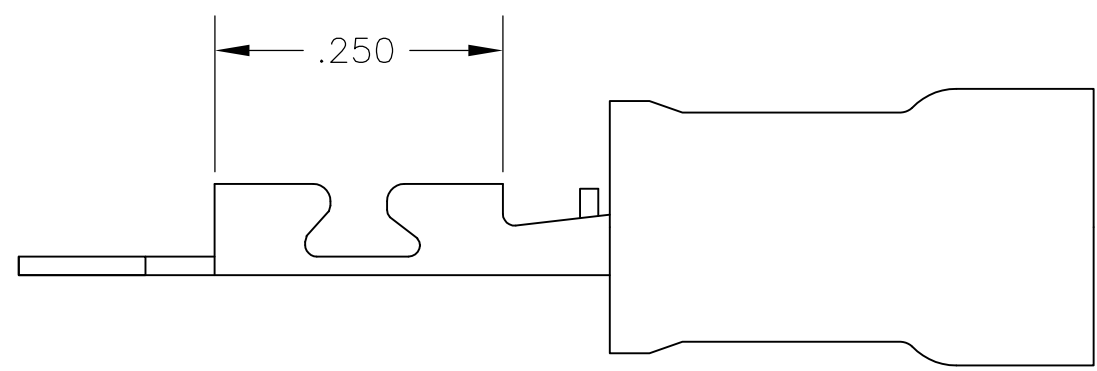
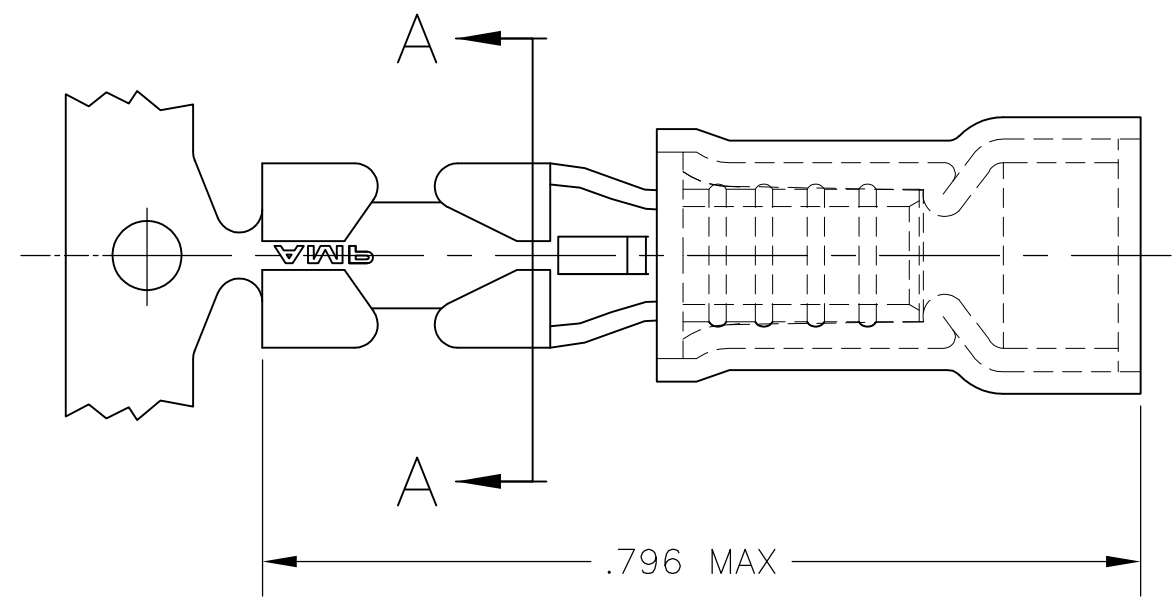
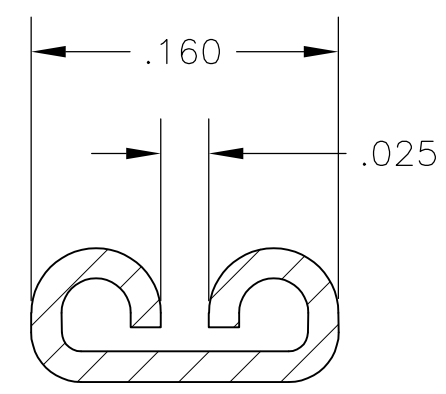


THIS DRAWING IS UNPUBLISHED. RELEASED FOR PUBLICATION
 © COPYRIGHT - By - ALL RIGHTS RESERVED.

LOC	DIST	REVISIONS			
P	LTR	DESCRIPTION	DATE	DWN	APVD
G	14	H2	REVISED PER ECO-12-002697	13FEB12	KH DR



- 1 INSULATION RANGE .135 MAX
- 2 MATES WITH .012±.001 THK TAB
- 3 MATERIAL
BODY - BRASS
SLEEVE - NYLON
- 4 FINISH
BODY - TIN PER ASTM B545



SECT A-A
SCALE 10:1

-	STRIP	350871-1
QTY	PACKAGE TYPE	PART NO

AMP INCORPORATED CUSTOMER SERVICE SYSTEMS		MAX RECOMMENDED OPERATING TEMPERATURE: -
FOR ADDITIONAL PRODUCT INFORMATION OR COPIES OF DRAWINGS AND TECHNICAL DOCUMENTS	PRODUCT INFORMATION CENTER 1-800-522-6752	VOLTAGE RATING: -
FOR APPLICATION TOOLING INFORMATION	TOOLING ASSISTANCE CENTER 1-800-722-1111	CIRCULAR MIL AREA: -
FOR ORDER ENTRY	1-800-526-5142	

THIS DRAWING IS A CONTROLLED DOCUMENT.
 DIMENSIONS: INCHES
 TOLERANCES UNLESS OTHERWISE SPECIFIED:
 0 PLC ± -
 1 PLC ± -
 2 PLC ± .015
 3 PLC ± -
 4 PLC ± -
 ANGLES ± -
 MATERIAL 3
 FINISH 4

DWN L OLMEDA 13NOV95	 TE Connectivity RECEPTACLE, FASTON, P.I.D.G., .110 SERIES WIRE SIZE: 22-18 AWG
CHK M ELLIS 15NOV95	
APVD B BARE 15NOV95	
PRODUCT SPEC	
APPLICATION SPEC	NAME
WEIGHT -	SIZE CAGE CODE DRAWING NO RESTRICTED TO
CUSTOMER DRAWING	A3 00779 C-350871
SCALE NTS	SHEET 1 OF 1
	REV H2