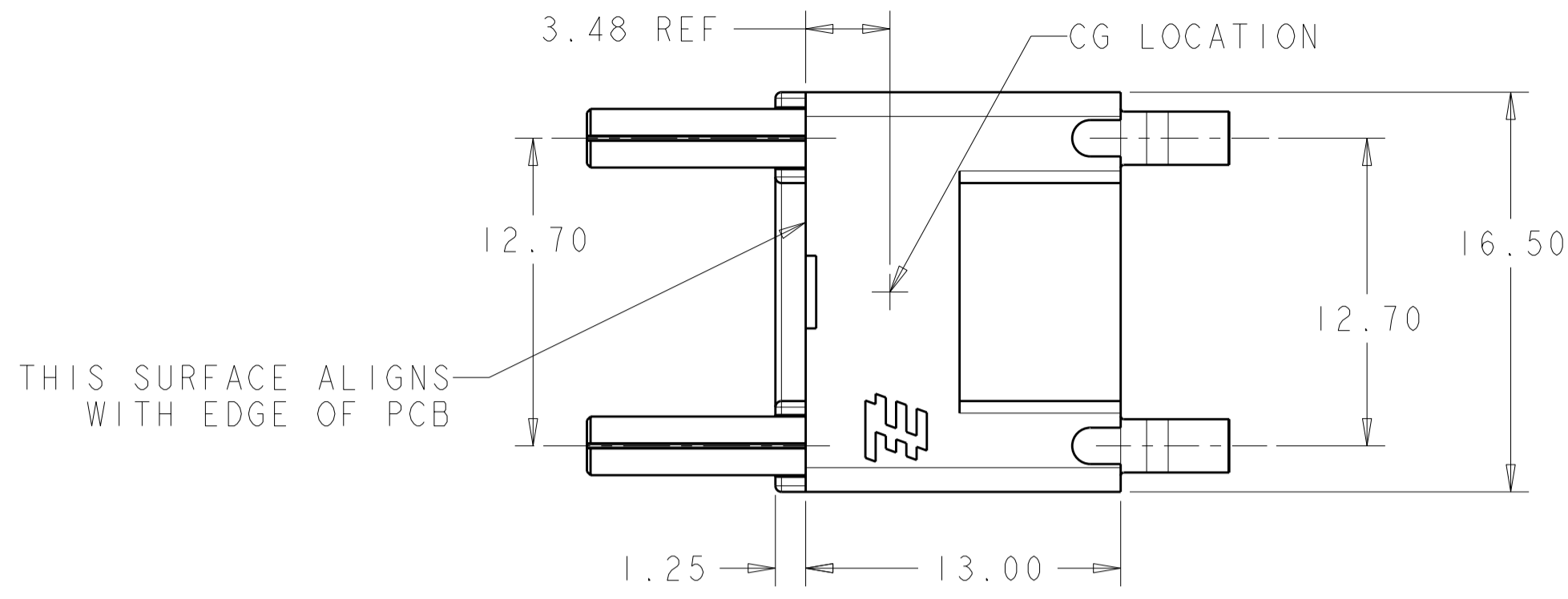
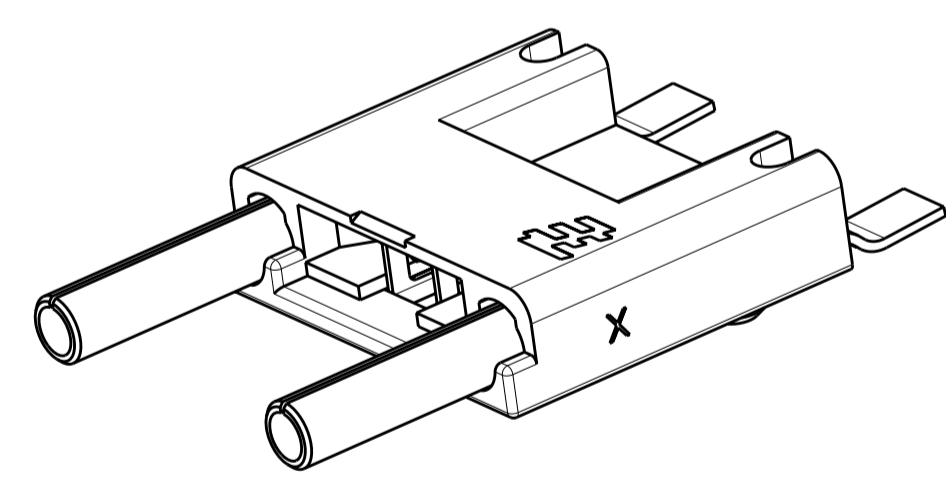
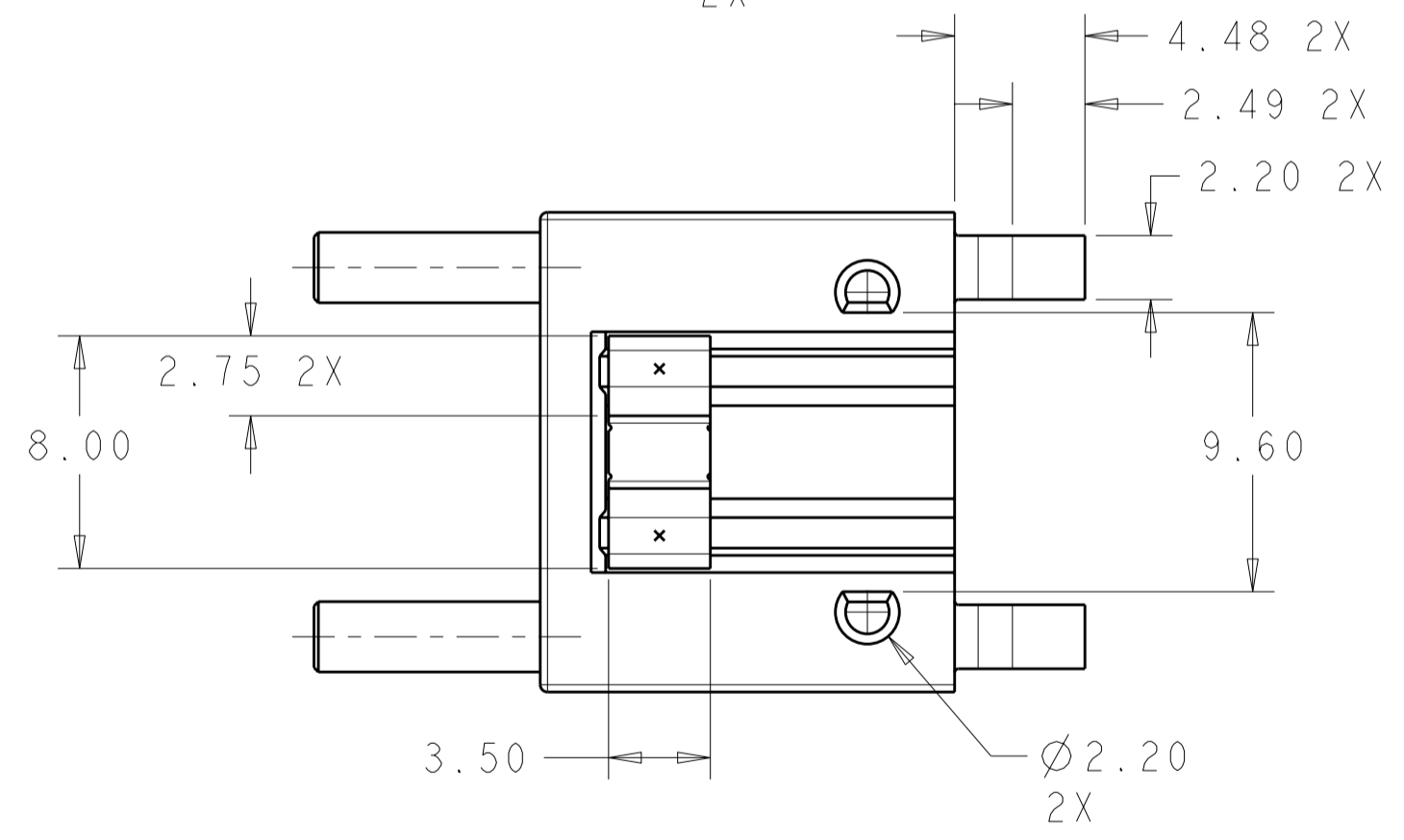
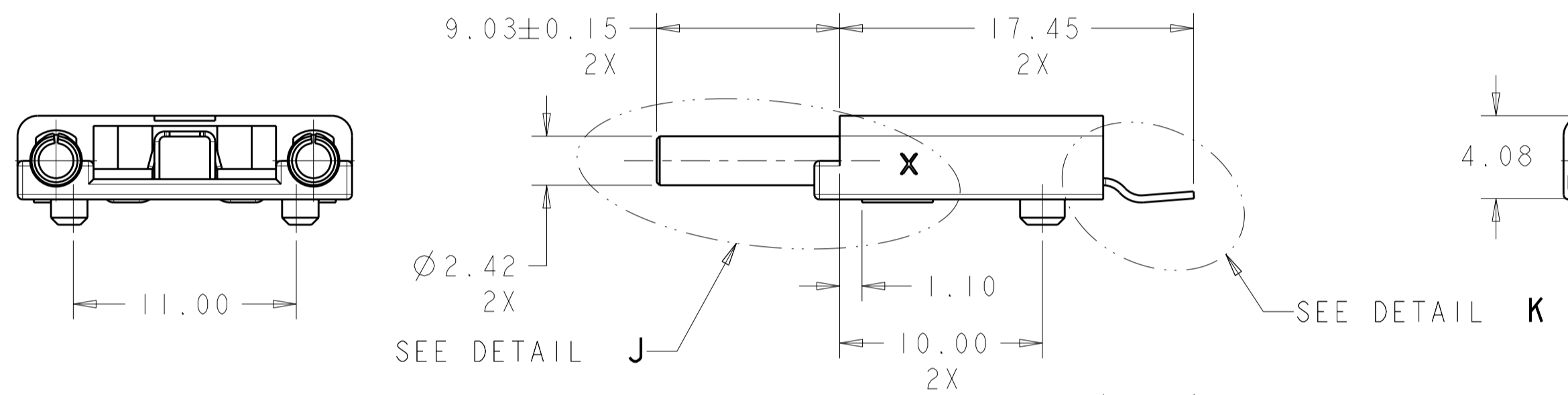


THIS DRAWING IS UNPUBLISHED. RELEASED FOR PUBLICATION 20
 © COPYRIGHT 20 BY - ALL RIGHTS RESERVED.

REVISIONS							
LOC	DIST	P	LTR	DESCRIPTION	DATE	DWN	APVD
-	-		AI	REVISED PER ECO-11-004820	11MAR2011	RK	HMR



- △ MATERIALS AND FINISH:
 -HOUSING: LCP. COLOR: NATURAL
 -CONTACTS: COPPER ALLOY. FINISH: Sn OVER Ni
 -HOLD DOWN: COPPER ALLOY. FINISH: Sn OVER Ni
- MUST COMPLY WITH DIRECTIVE 2002/95/EC (ROHS)
 - THIS PRODUCT HAS NOT COMPLETED VALIDATION TESTING
 - PACKAGED IN TAPE AND REEL PER EIA-481 SPECIFICATION

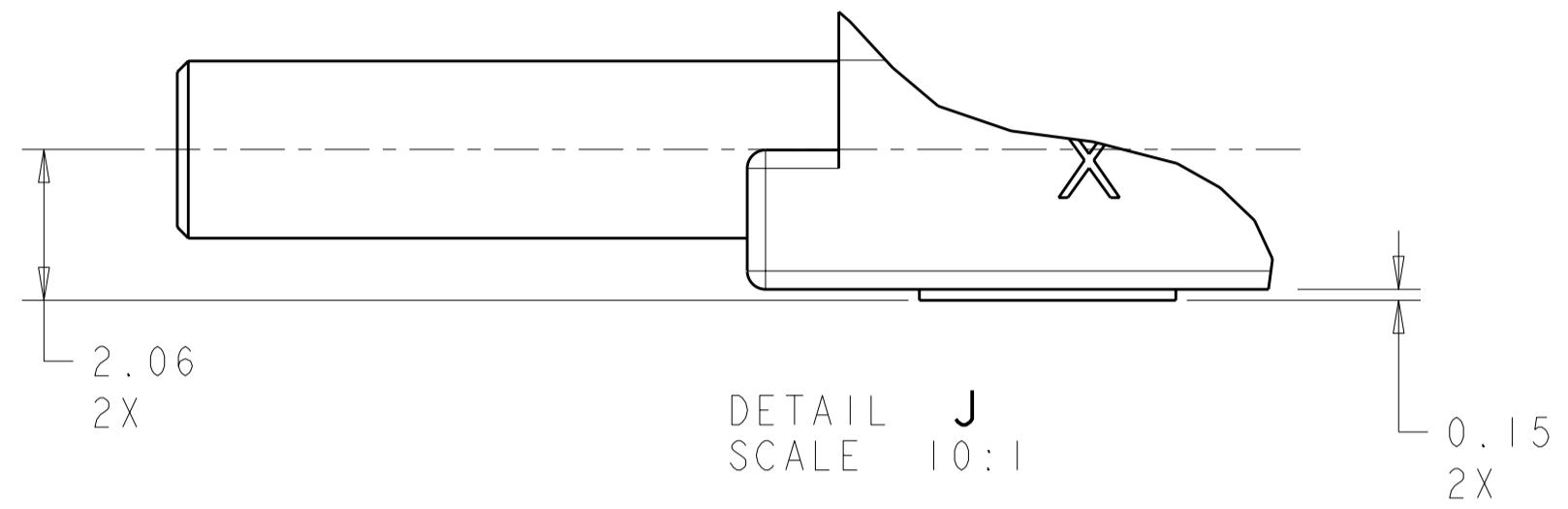


2106150-1
 PART NO.

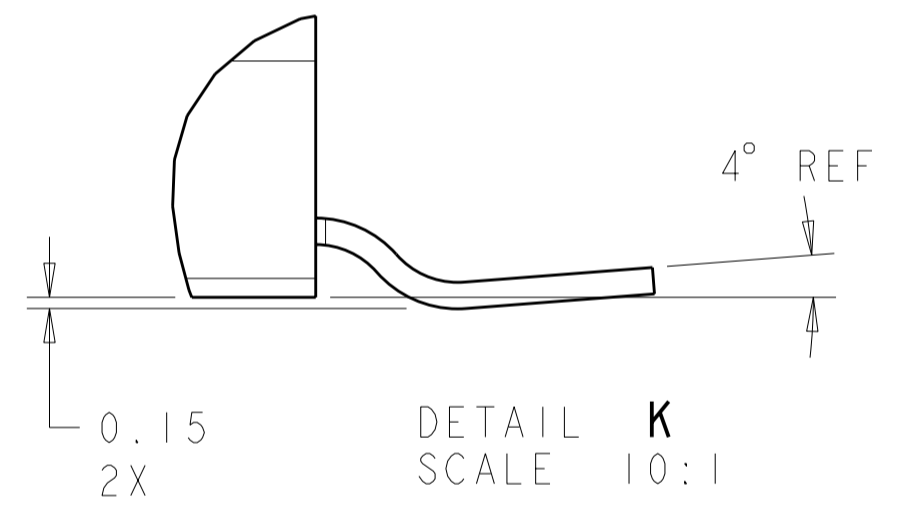
THIS DRAWING IS A CONTROLLED DOCUMENT.		DWN R. BROWN 05FEB2009	TE Connectivity	
DIMENSIONS: mm		CHK C. GINGRICH 05FEB2009		
TOLERANCES UNLESS OTHERWISE SPECIFIED:		APVD -	NAME ASSEMBLY, END CAP CONNECTOR, G13 STYLE, SMT	
0 PLC ± 1 PLC ± 2 PLC ±0.13 3 PLC ± 4 PLC ± ANGLES ± FINISH		PRODUCT SPEC 114-13255	SIZE A200779	
MATERIAL		APPLICATION SPEC 108-2393	CAGE CODE C-2106150	DRAWING NO. 2106150
△ -		WEIGHT -	RESTRICTED TO -	
CUSTOMER DRAWING		SCALE 4:1		SHEET 1 OF 2 REV AI

THIS DRAWING IS UNPUBLISHED. RELEASED FOR PUBLICATION 20
 © COPYRIGHT 20 BY - ALL RIGHTS RESERVED.

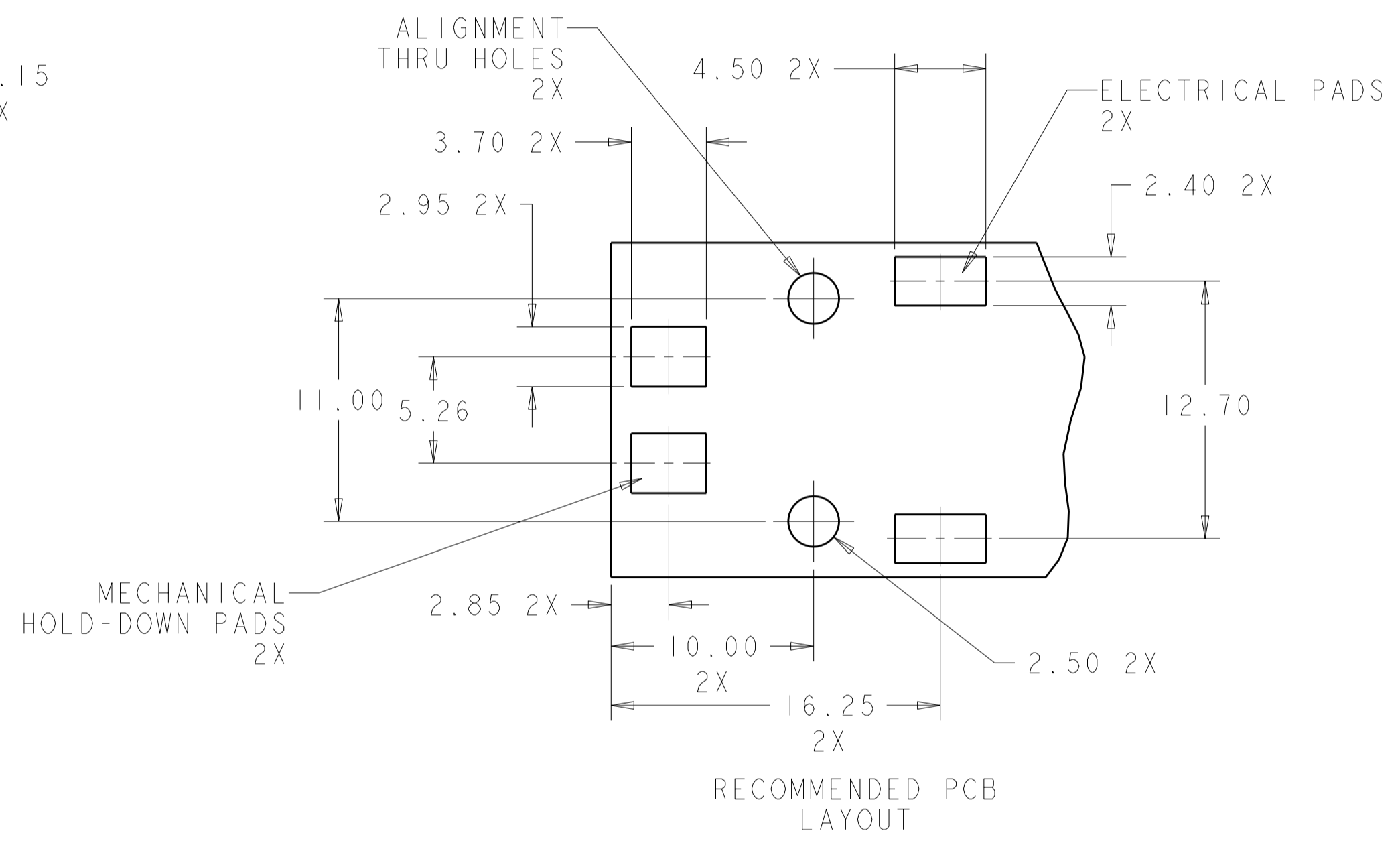
LOC	DIST	REVISIONS			
P	LTR	DESCRIPTION	DATE	DWN	APVD
-	-	SEE SHEET 1	-	-	-




DETAIL J
SCALE 10:1



DETAIL K
SCALE 10:1



RECOMMENDED PCB LAYOUT

THIS DRAWING IS A CONTROLLED DOCUMENT.		DWN R. BROWN 05FEB2009	 TE Connectivity	
DIMENSIONS: mm		CHK C. GINGRICH 05FEB2009		
TOLERANCES UNLESS OTHERWISE SPECIFIED:		APVD -	NAME ASSEMBLY, END CAP CONNECTOR, G13 STYLE, SMT	
0 PLC ± 1 PLC ± 2 PLC ±0.13 3 PLC ± 4 PLC ± ANGLES ± FINISH		PRODUCT SPEC 114-13255	SIZE A200779	CAGE CODE C-2106150
MATERIAL		APPLICATION SPEC 108-2393	DRAWING NO.	RESTRICTED TO
-		WEIGHT -	SCALE 4:1	SHEET 2 OF 2
-		CUSTOMER DRAWING	REV A1	