

DETAILS

| | |
|------------------------|----------------------|
| Product Number | CA13270_LAURA-SS-WAS |
| Family | Laura |
| Type | Assembly |
| Color | white |
| Diameter | 21,6 x 21,6 mm |
| Height | 12,9 mm |
| Style | square |
| Optic Material | PMMA |
| Holder Material | |
| Fastening | tape |
| Status | production ready |
| ROHS Compliant | Yes |
| Date Updated | 25/02/2013 |



OPTICAL PROPERTIES

| LED | Viewing Angle | Light Beam | Efficiency | cd/lm | Connector |
|--------------|----------------|------------|------------|--------|-----------|
| LUXEON Rebel | Asymmetric deg | Asymmetric | 92 % | 13.300 | - |
| LUXEON A | Asymmetric deg | Asymmetric | 92 % | 9.450 | - |

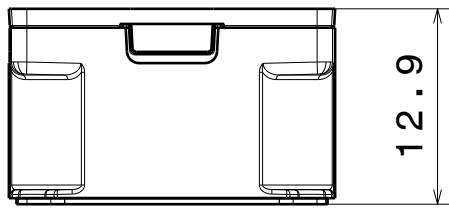
D

C

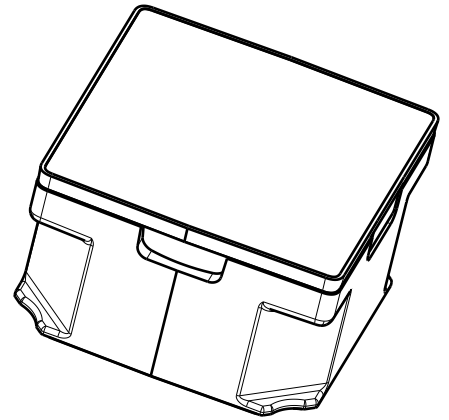
B

A

4



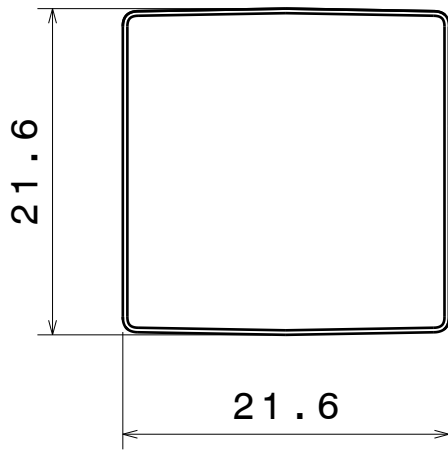
Front View



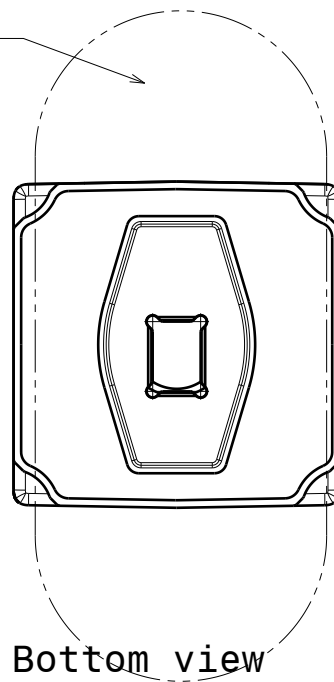
Isometric view

Oval Beam Direction

3



Top view



Bottom view

2

2

This drawing is our property.
It can't be reproduced
or communicated without
our written agreement.



Ledil Oy
Salorankatu 10
FIN 24240 SALO
Finland

DRAWING TITLE

Mechanical Drawing

DRAWN BY

ks

DATE

08.11.2012

LAURA-RE

CHECKED BY

as

DATE

-

SIZE

A4

PART NUMBER

REV

001

DESIGNED BY

-

DATE

-

SCALE

2:1

WEIGHT

SHEET

1/1

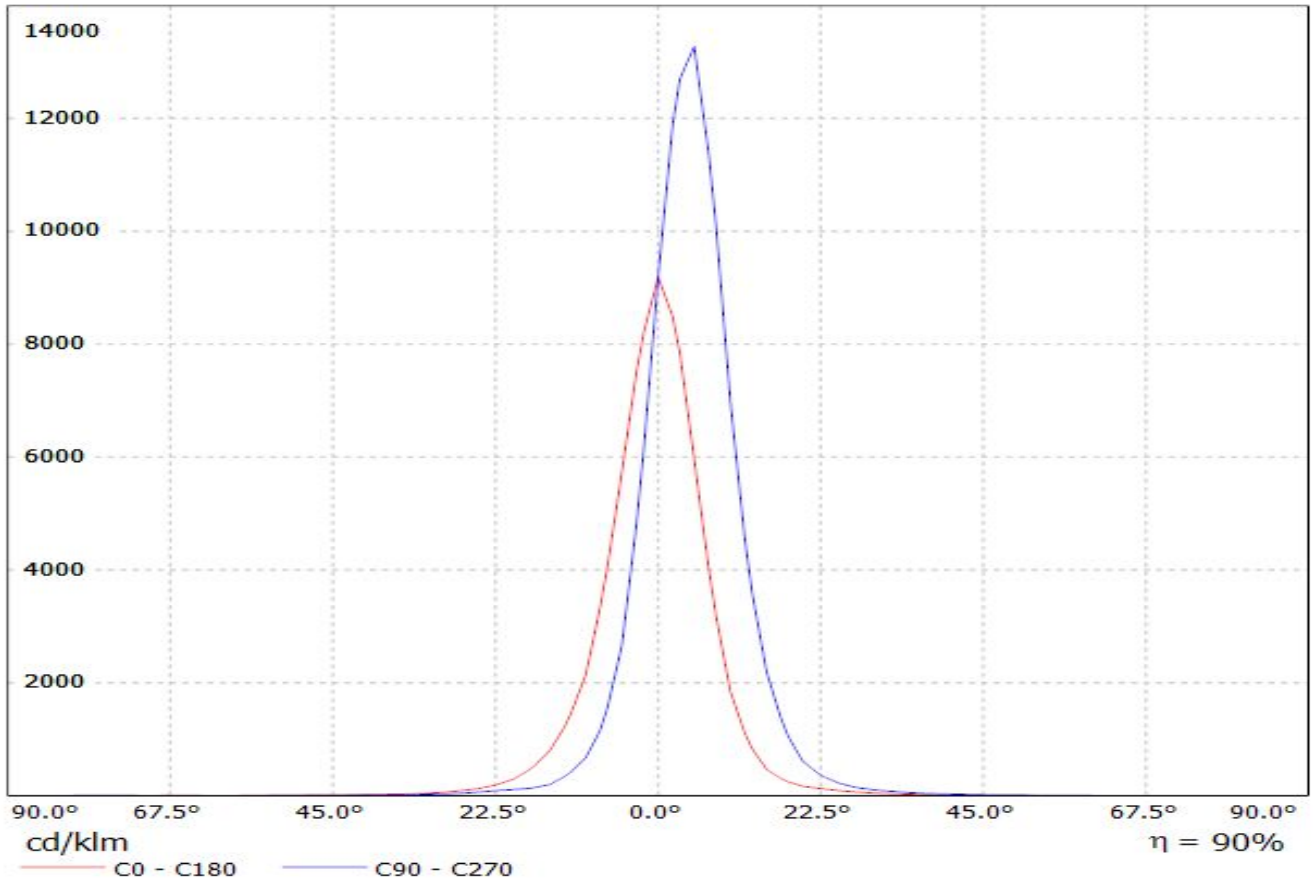
1

1

D

A

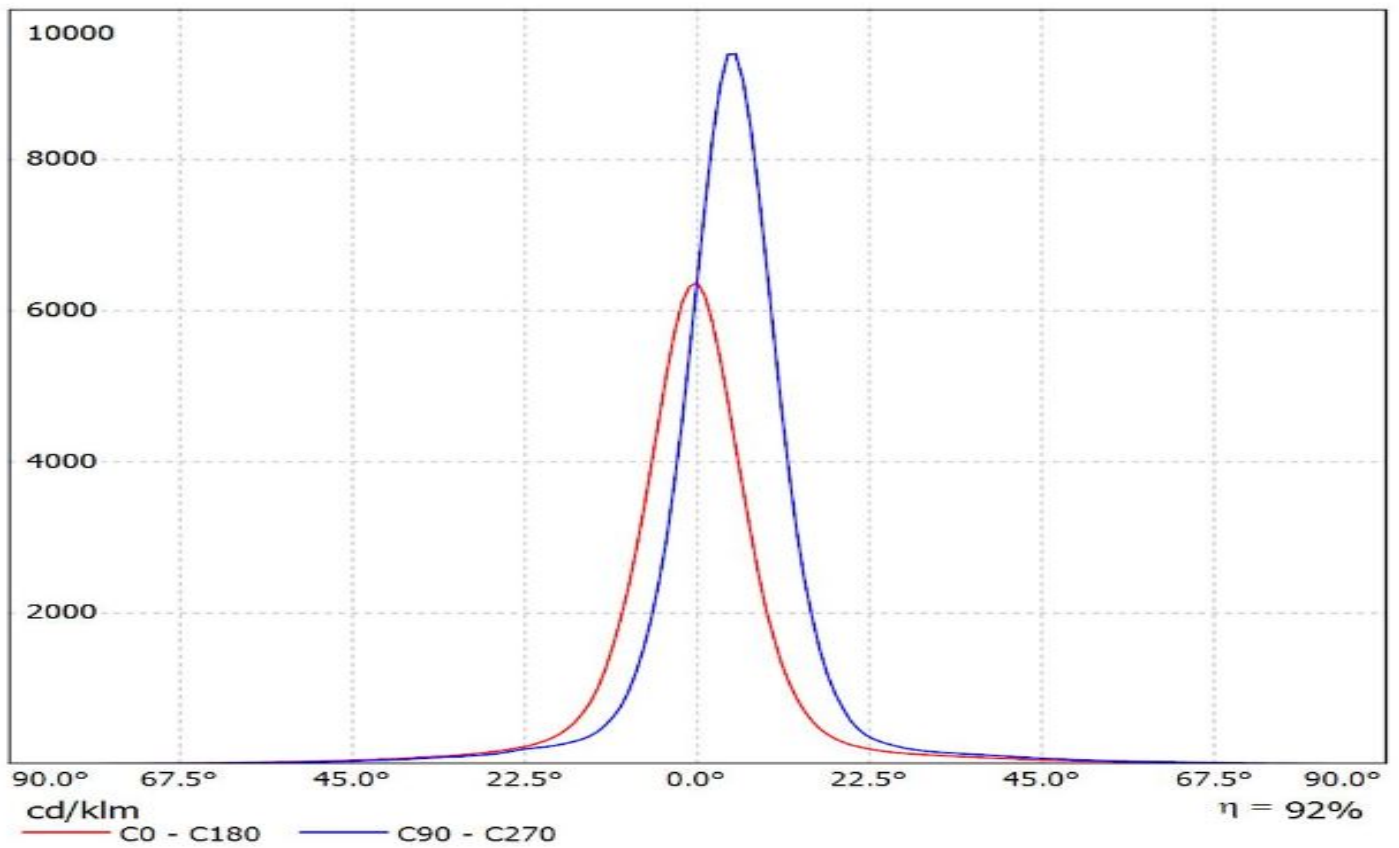
Luminaire: Ledil Oy CA13270_LAURA-SS-WAS_(Rebel) Efficiency=92%
Lamps: 1 x Luxeon Rebel 80lm @ 250mA



Ledil CA13270_LAURA-SS-WAS_(LUXEON_A) / LDC (Linear)

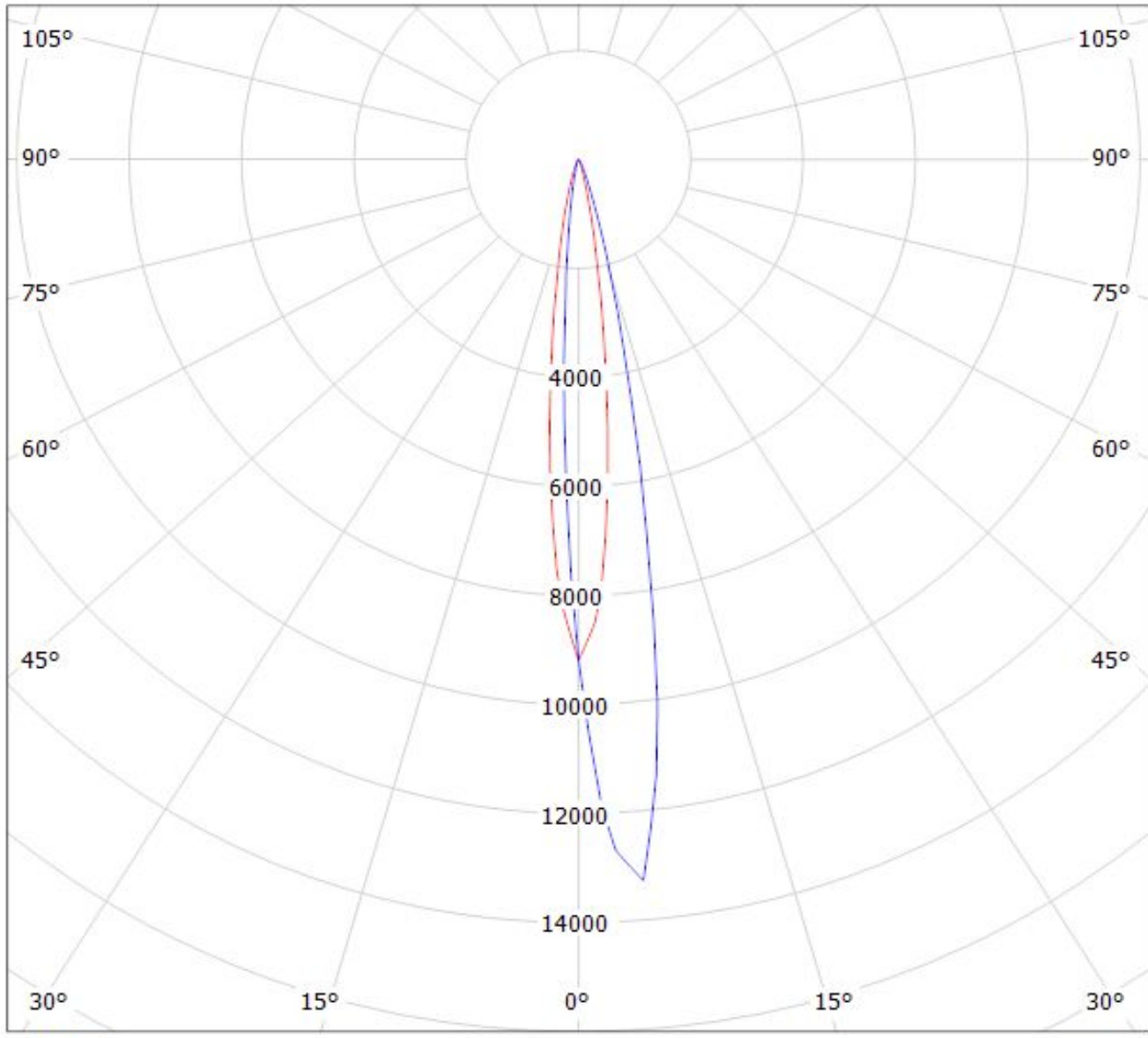
Luminaire: Ledil CA13270_LAURA-SS-WAS_(LUXEON_A)

Lamps: 1 x LUXEON_A_80lm@250mA_CCT=2933K_P=0.77W_I=0.25A



Luminaire: Ledil Oy CA13270_LAURA-SS-WAS_(Rebel) Efficiency=92%

Lamps: 1 x Luxeon Rebel 80lm @ 250mA



cd/klm

— C0 - C180

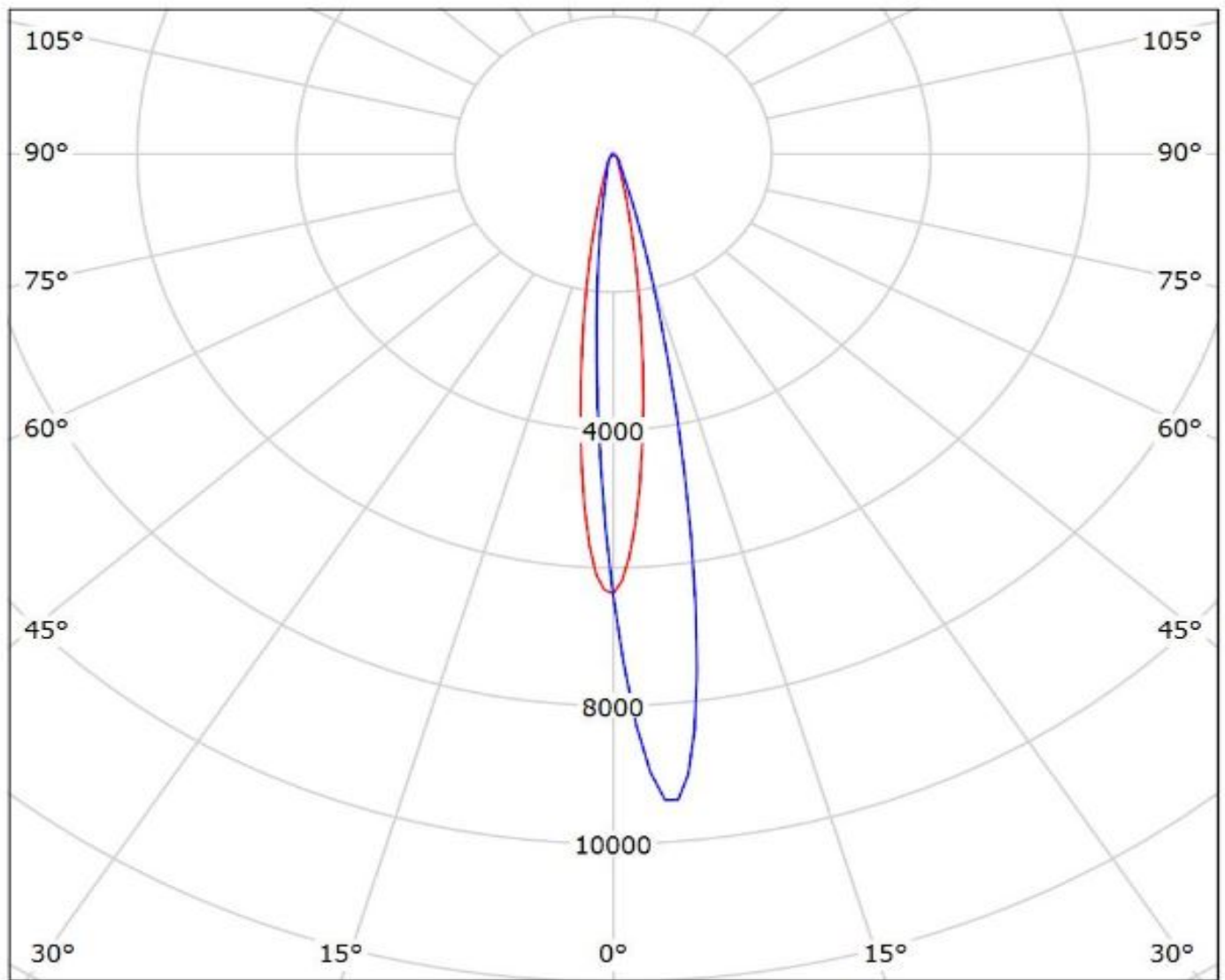
— C90 - C270

$\eta = 90\%$

Ledil CA13270_LAURA-SS-WAS_(LUXEON_A) / LDC (Polar)

Luminaire: Ledil CA13270_LAURA-SS-WAS_(LUXEON_A)

Lamps: 1 x LUXEON_A_80lm@250mA_CCT=2933K_P=0.77W_I=0.25A



cd/klm

— C0 - C180 — C90 - C270

$\eta = 92\%$

NOTE: The typical divergence will be changed by different color, chip size and chip position tolerance. The typical total divergence is the full angle measured where the luminous intensity is half of the peak value.