

DETAILS

Product Number	FP11958_LISA2-WWW-CLIP
Family	Lisa
Type	Assembly
Color	black
Diameter	9,9 mm
Height	6,6 mm
Style	round
Optic Material	PMMA
Holder Material	
Fastening	clips, glue
Status	production ready
ROHS Compliant	Yes
Date Updated	15/04/2016



OPTICAL PROPERTIES

LED	Viewing	Light	Effi-	cd/lm	Connector
	Angle	Beam	ciency		
Oslo SSL 80	70 deg	WWW-class	77 %	0.700	-
Oslo SSL 150	94 deg	WWW-class	70 %	0.400	-
SFH 4770S	sim: 55	WWW-class	sim: 96 %	-	-

D

C

B

A

4

4

3

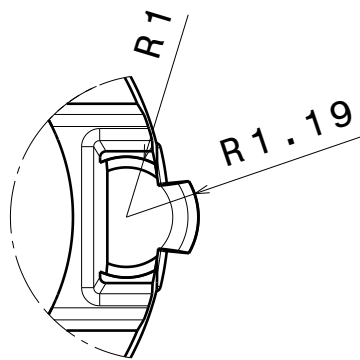
3

2

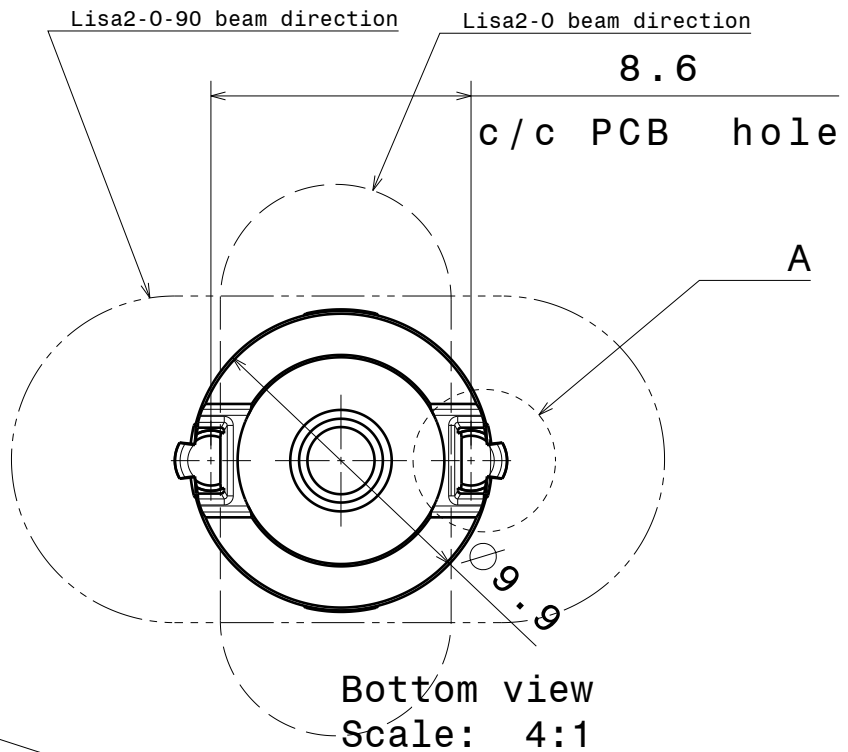
2

1

1



Detail A
Scale: 8:1

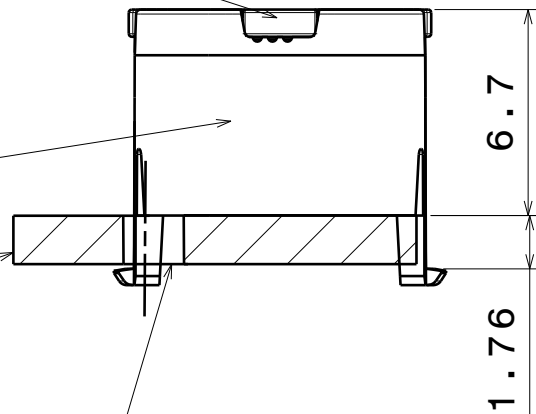


Bottom view
Scale: 4:1

Lens

Holder

Reference PCB



Front view
Scale: 4:1

Materials:
Lens PMMA
Holder PC

Note:
Take tolerances
into account
when specifying
positioning
holes for PCB

This drawing is our property.
It can't be reproduced
or communicated without
our written agreement.



Ledil Oy
Tehdaskatu 13
FIN-24100 SALO
Finland

DRAWING TITLE

Datasheet Lisa2-clip16-0SL series Assy

DRAWN BY

ch

DATE

20.7.2011

CHECKED BY

sn

DATE

20.7.2011

DESIGNED BY

hh

DATE

19.10.2009

SIZE

A4

DRAWING NUMBER

REV

2

SCALE

4:1

WEIGHT (g)

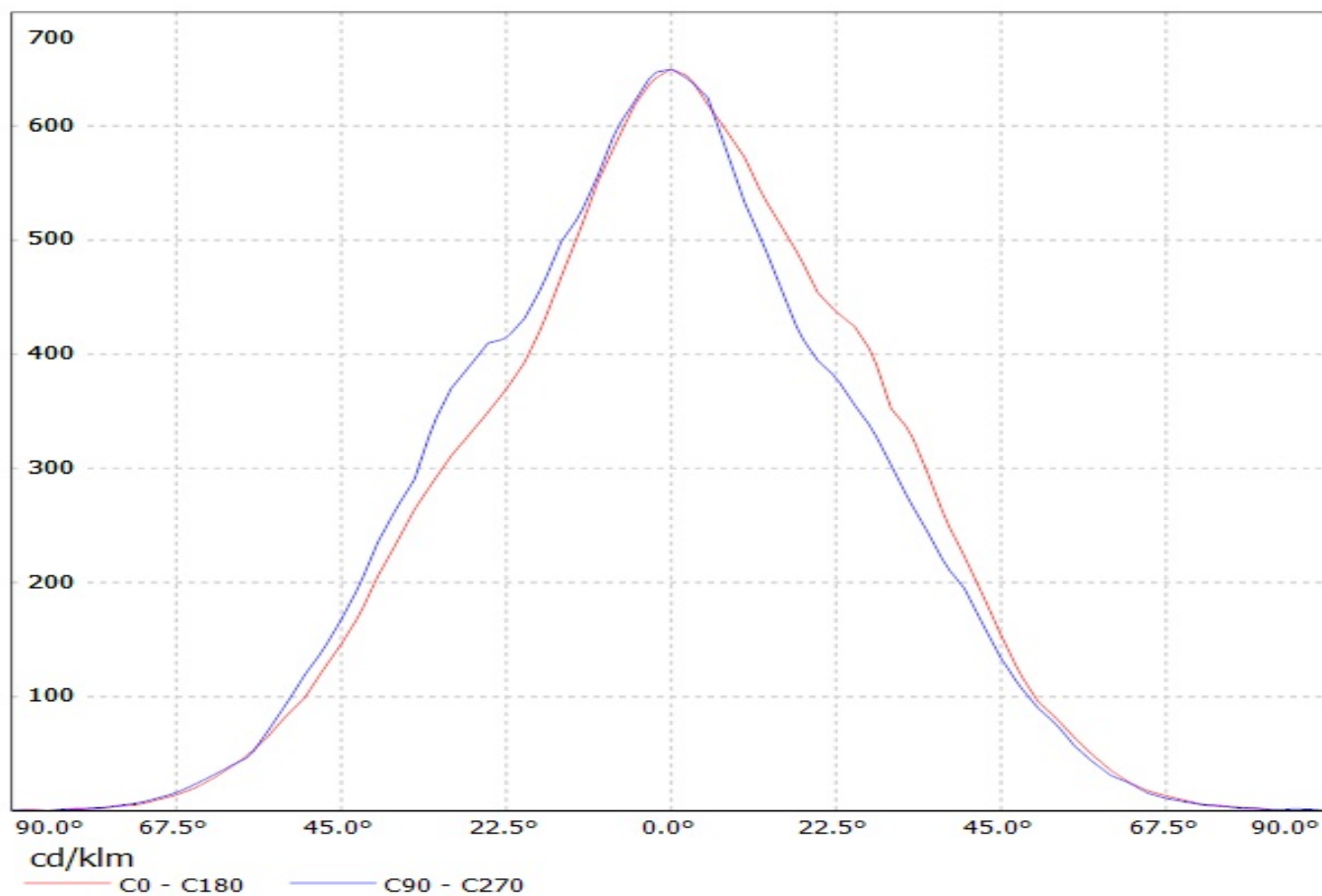
SHEET

1/1

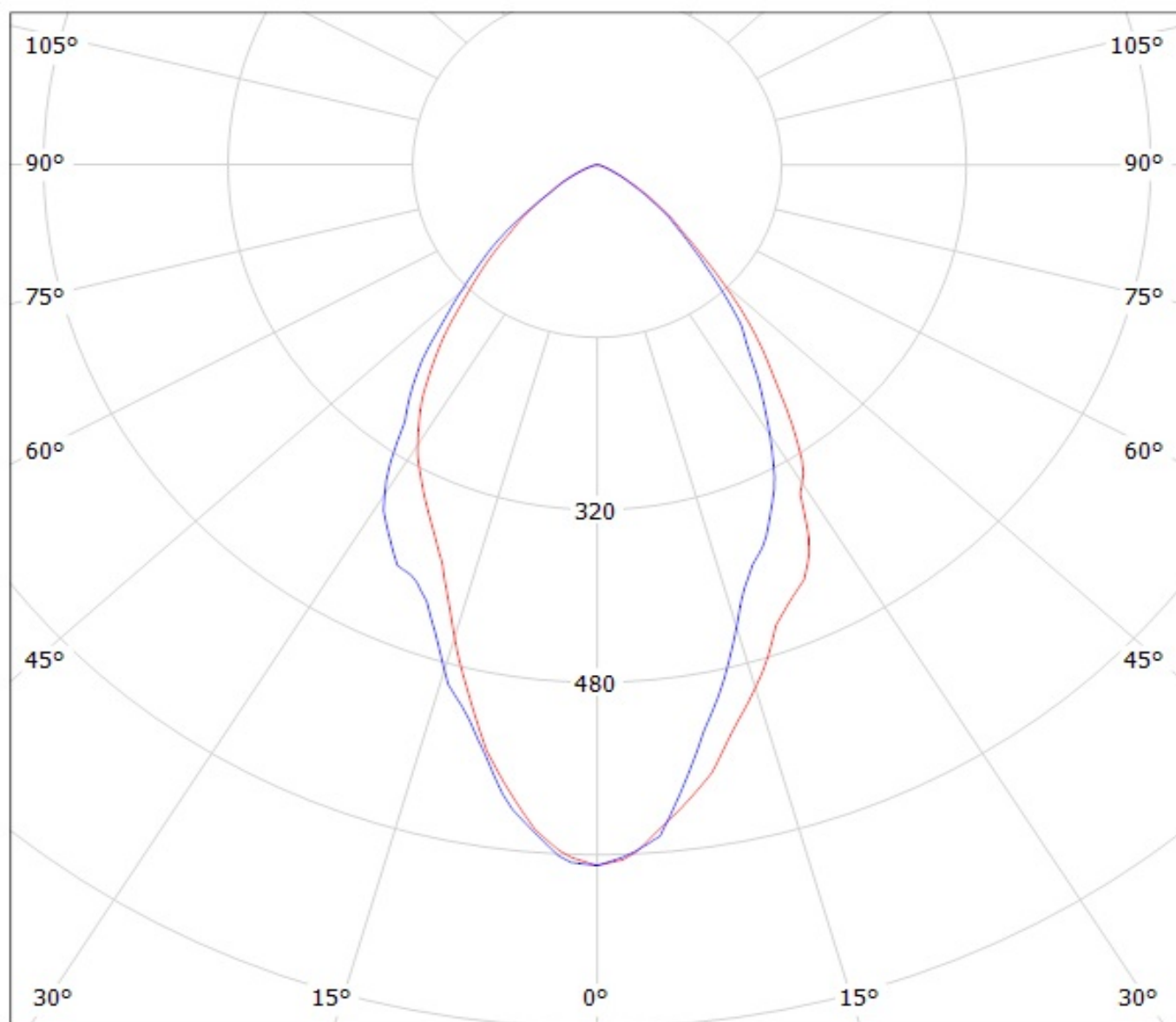
D

A

Luminaire: Ledil Oy FP11957 & FP11958_LISA2-WWW (Osram Oslon 80 79lm @ 250mA) Efficiency=74%
Lamps: 1 x Osram Oslon 80 79lm @ 250mA



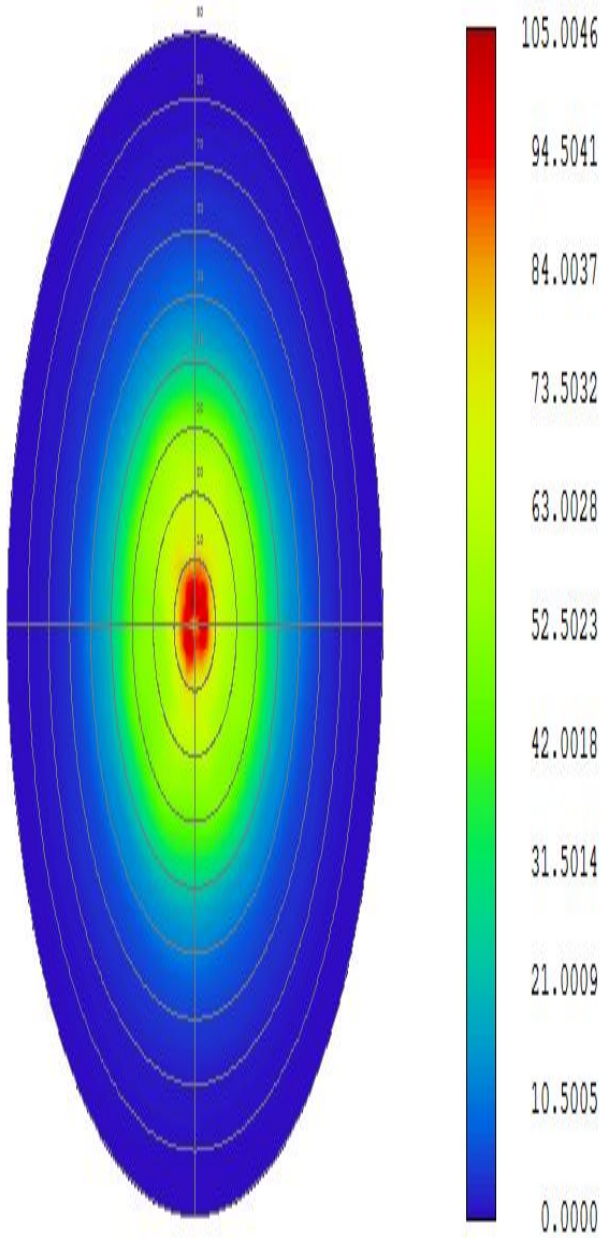
Luminaire: Ledil Oy FP11957 & FP11958_LISA2-WWW (Osram Oslon 80 79lm @ 250mA) Efficiency=74%
Lamps: 1 x Osram Oslon 80 79lm @ 250mA



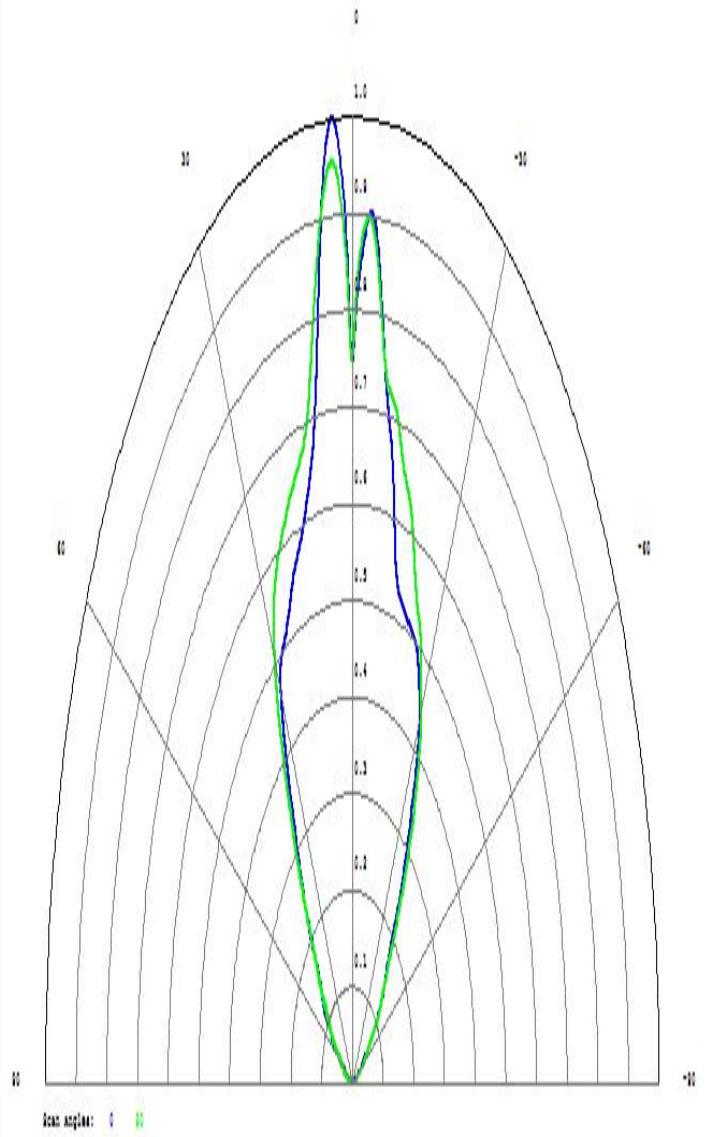
cd/klm

— C0 - C180

— C90 - C270



Detector Image: Radiant Intensity



Detector Image: Radiant Intensity

NOTE: The typical divergence will be changed by different color, chip size and chip position tolerance. The typical total divergence is the full angle measured where the luminous intensity is half of the peak value.