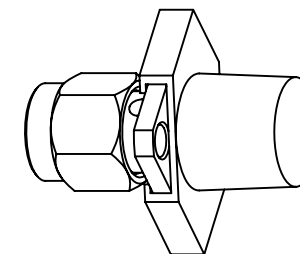


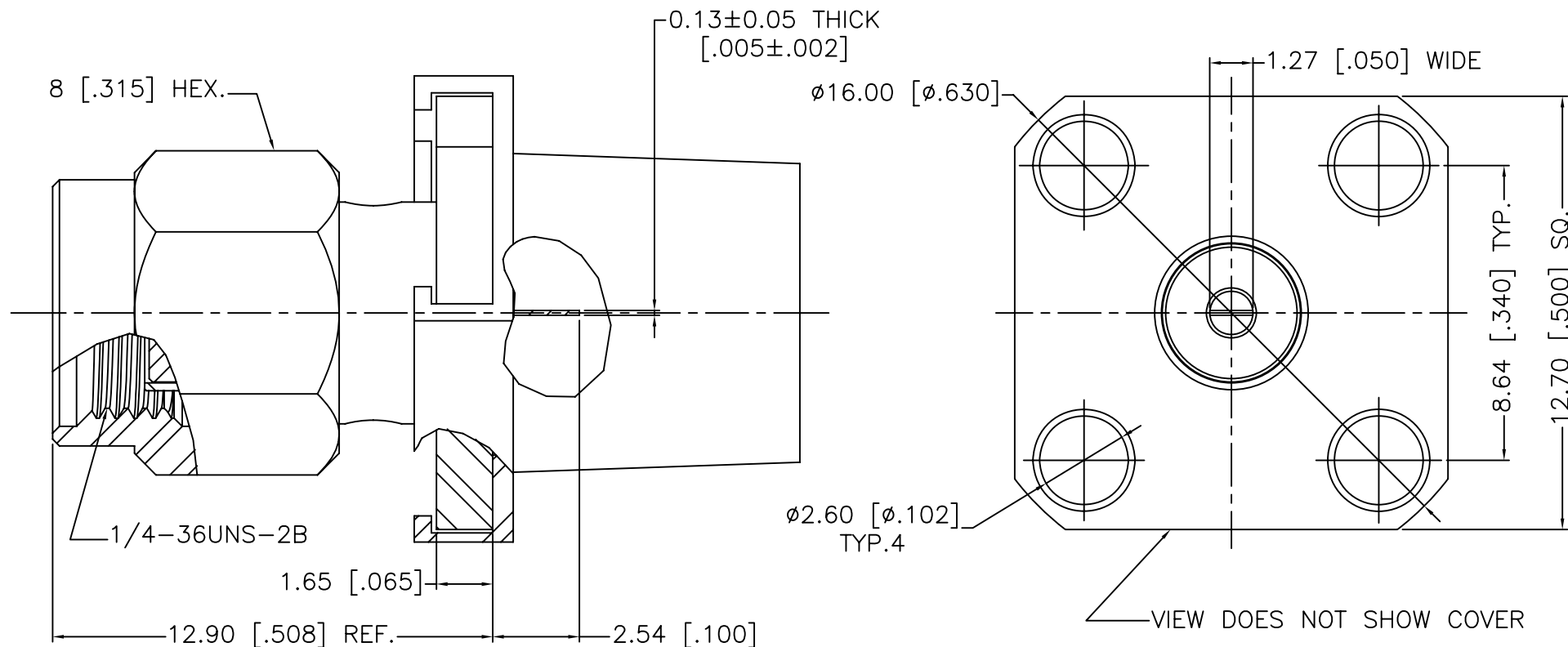
NOTES:

1. IMPEDANCE: 50 OHM
2. FREQUENCY RANGE: 0-18 GHz.
3. DIELECTRIC WITHSTANDING VOLTAGE: 1000 VRMS. MIN.
4. DURABILITY: 500 CYCLES MIN.
5. TEMPERATURE RANGE: -65°C TO +165°C

REV.	DATE	ECR NO.	DESCRIPTION
A	05/02/12	2309	UPDATE DRAWING FORMAT



SCALE 0.300



7	COVER	PE	NATURAL	1
6	GASKET	SILICON RUBBER	RED	1
5	RETAINER RING	SUS 304	NATURAL	1
4	CONTACT PIN	BERYLLIUM COPPER	GOLD	1
3	INSULATOR	PTFE	NATURAL	1
2	BODY	BRASS	GOLD	1
1	SHELL	BRASS	GOLD	1
	DESCRIPTION	MATERIAL	FINISH	QTY

UNLESS OTHERWISE SPECIFIED DIMENSIONS ARE IN MILLIMETERS. DIMENSIONS IN [] ARE IN INCHES AND FOR CUSTOMER REFERENCE ONLY.

UNLESS OTHERWISE SPECIFIED TOLERANCES FOR MILLIMETERS ARE:
 0.5 - 8mm ± 0.20mm
 8 - 30mm ± 0.40mm
 30 - 120mm ± 0.50mm

UNLESS OTHERWISE SPECIFIED TOLERANCES FOR INCHES ARE:
 .020 - .315 = ± 0.007"
 .315 - 1.180 = ± 0.015"
 1.180 - 4.724 = ± 0.020"

DO NOT SCALE DRAWING

APPROVALS		DATE
DRAWN	S.LI	05/02/12
CHECKED		
ISSUED		
SHEET	1 OF 1	
CAD FILE	F:\DWG\CONNEX\132164.DWG	

Amphenol Connex			
PART DESCRIPTION			
SMA PANEL RECEPT. PLUG			
PART NO.			
132164			
DWG. NO.	132164.DWG	REV.	A
SIZE	A	SCALE	NA