

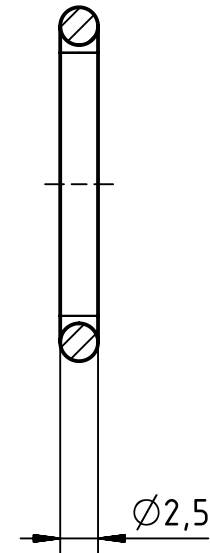
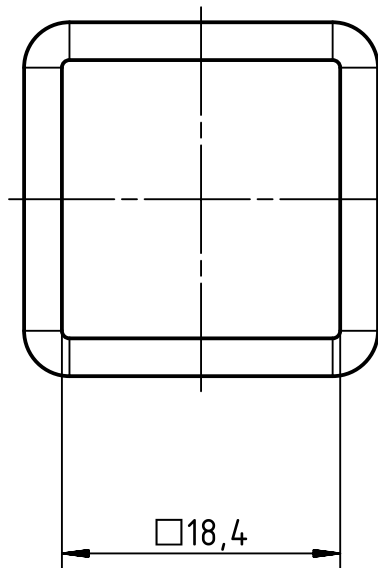
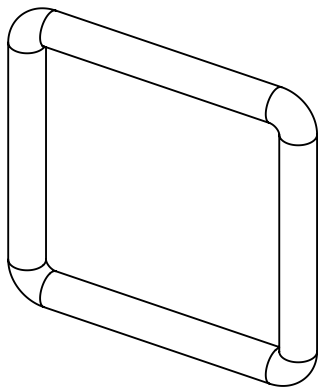
1 2 3 4 5 6


A

B

C

D



	All rights reserved Department EL PD - DE	All Dimensions in mm Original Size DIN A4		Scale 2:1	Free size tol.		Ref.		
		HARTING Electric GmbH & Co. KG D-32339 Espelkamp		Created by SCHULZI	Inspected by BERGHORN	Standardisation TIEMANNA	Date 2014-02-03	State Final Release	
Title FPM Seal for Han 3A Insert							Doc-Key / ECM-Nr. 100080892/UGD/008/A 500000071193		
Type TB			Number 09 21 000 9906				Rev. A	Page 1/1	