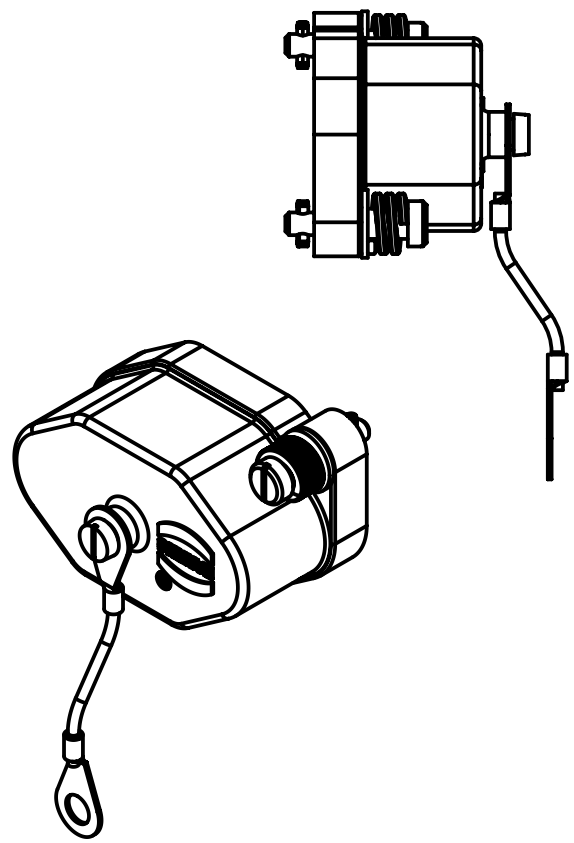
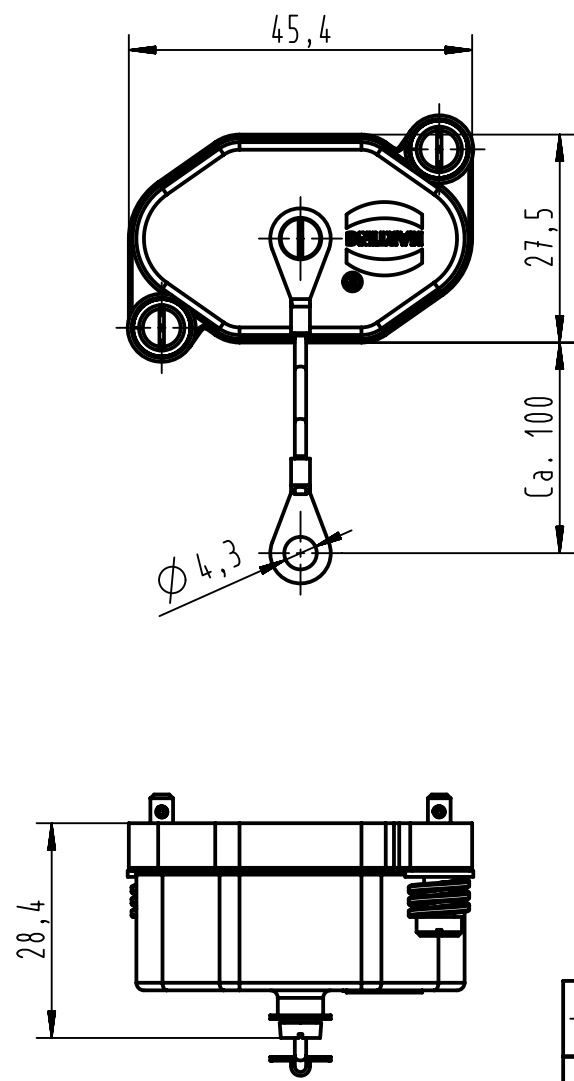



1 2 3 4 5 6

A  
B  
C  
D



	All rights reserved Department EL PD - CN HARTING Electric GmbH & Co. KG D-32339 Espelkamp	All Dimensions in mm Original Size DIN A4		Scale 1:1	Free size tol.	Ref. Sub.
		Created by LONGL	Inspected by LONGA	Standardisation SCHMIDTM	Date 2013-01-22	State Final Release
Title Han 3HPR Cover toggle W Powder Coating					Doc-Key / ECM-Nr. 100217516/UGD/004/B	
Type TB			Number 09 40 703 5402		Rev. B	Page 1/1