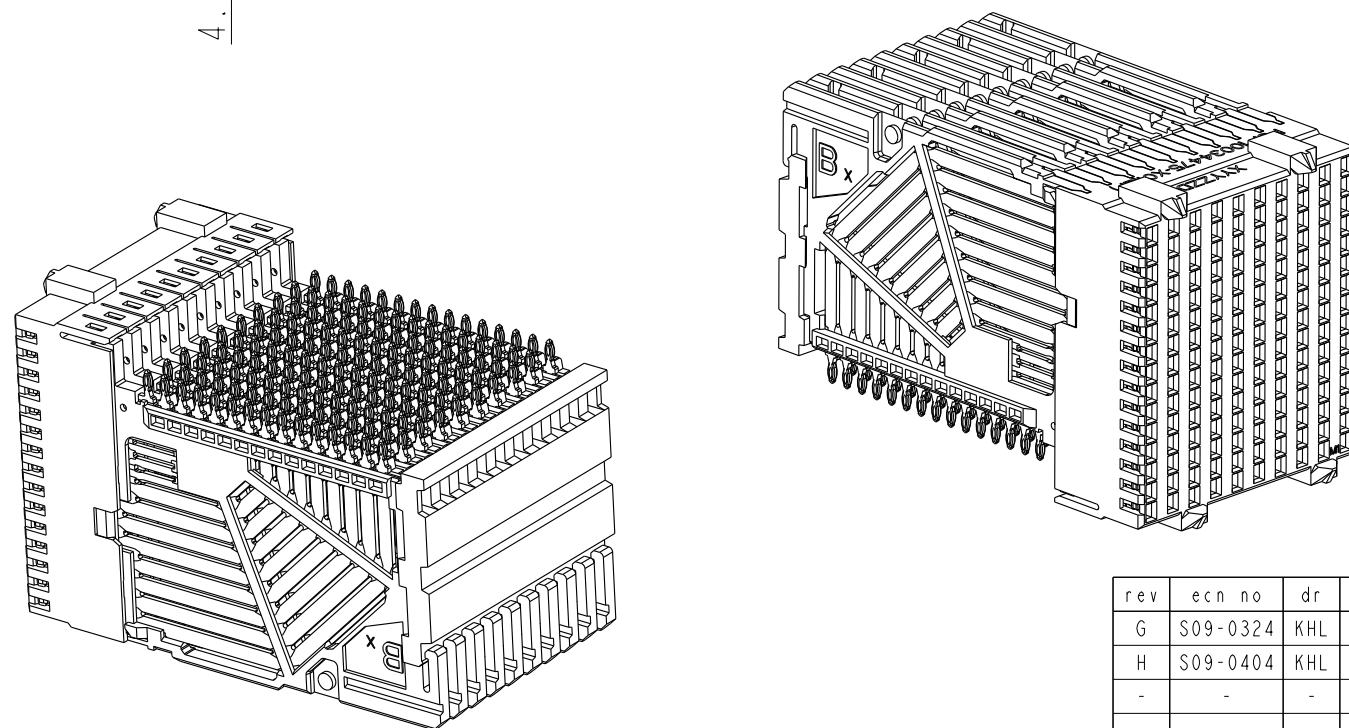
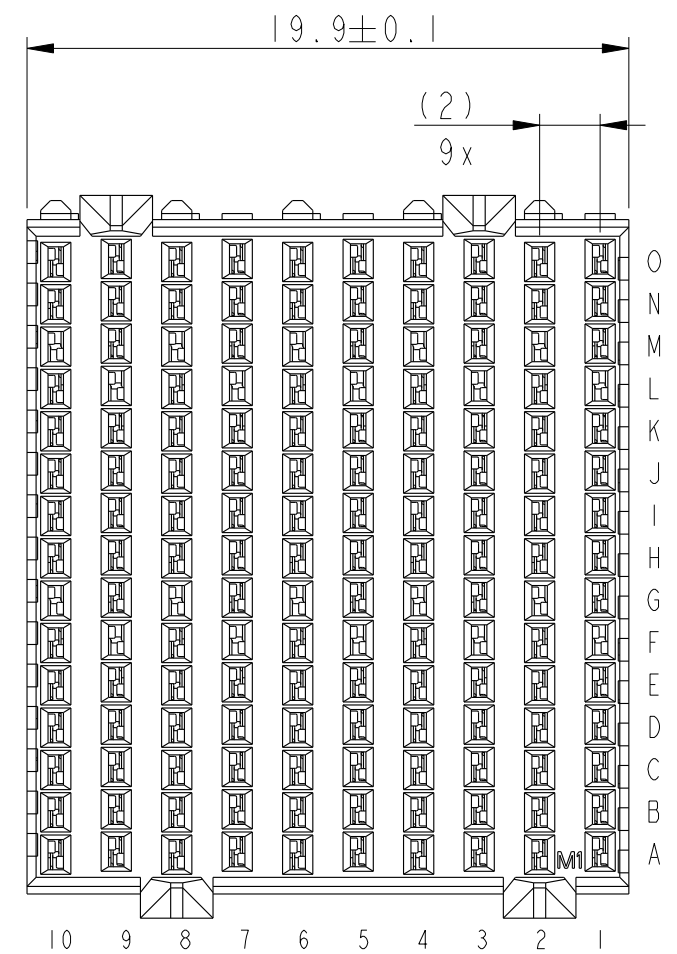
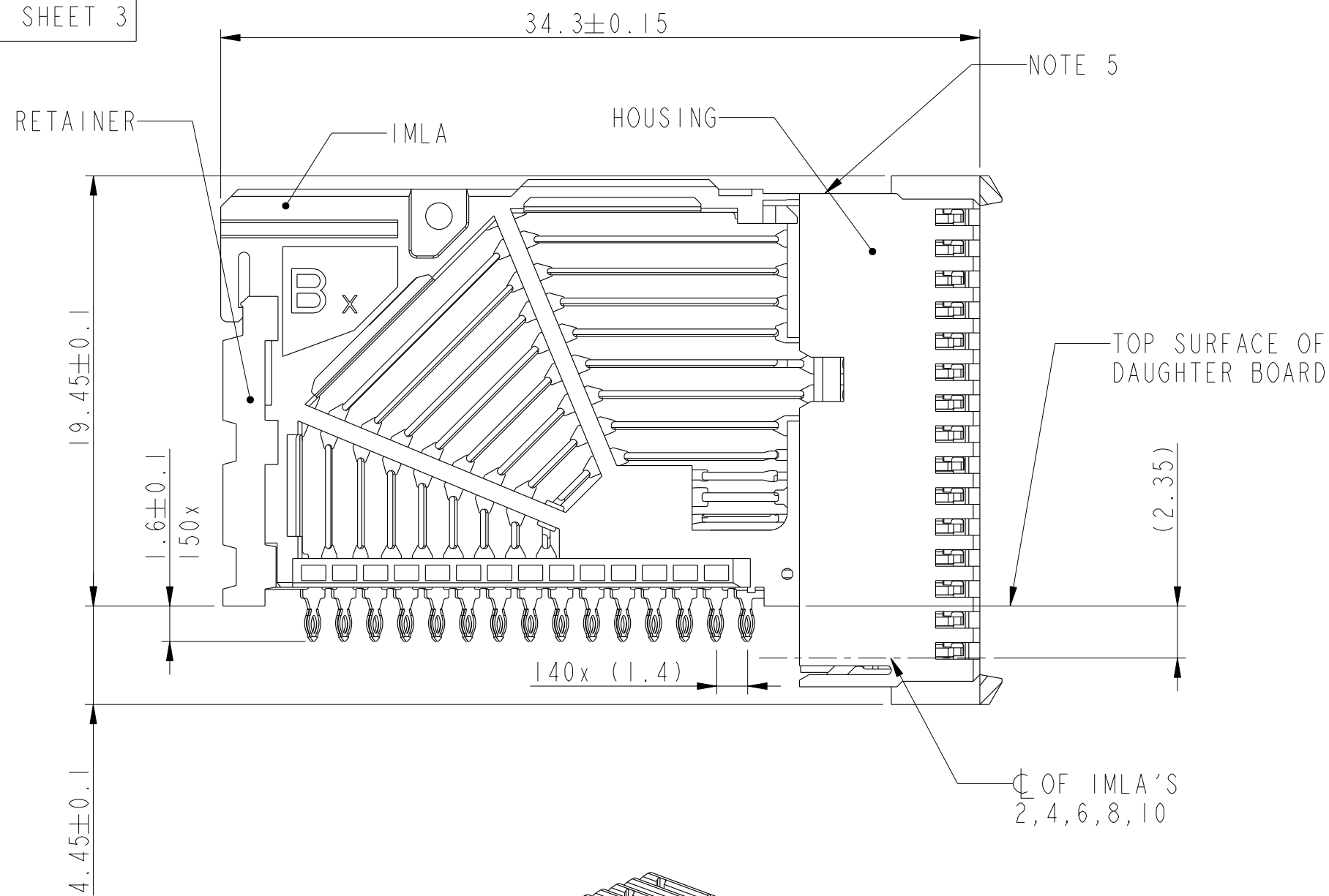


Product-number
SEE TABLE, SHEET 3



www.fciconnect.com		surface - ✓ ASME Y14.5	tolerance std ASME Y14.5	projection A3	mm ← →
TOLERANCES UNLESS OTHERWISE SPECIFIED					
Dr	H V WOENSEL	2004-10-02	ANGULAR	0.X	±0.3
Eng	L.S NGWE	2008-07-31	LINEAR	0.XX	±0.10
Chr	KH LEE	2009-12-10	0° ±°	0.XXX	±0.050
Appr	JOEY NG	2009-12-10	Product family	-	Spec ref
Title			AirMax VS R.A. Recept		Rev.
Ass'y, 5 pair, 150pos, 2mm, 10IMLA			10034475		H
catalog no			CUSTOMER		sheet 1 of 3

rev	ecn no	dr	date
G	S09-0324	KHL	2009-10-20
H	S09-0404	KHL	2009-12-10
-	-	-	-
-	-	-	-
E	S08-0036	LS	2008-02-13
F	S08-0252	LS	2008-07-31

Copyright FCI. **FCI**

I

2

3

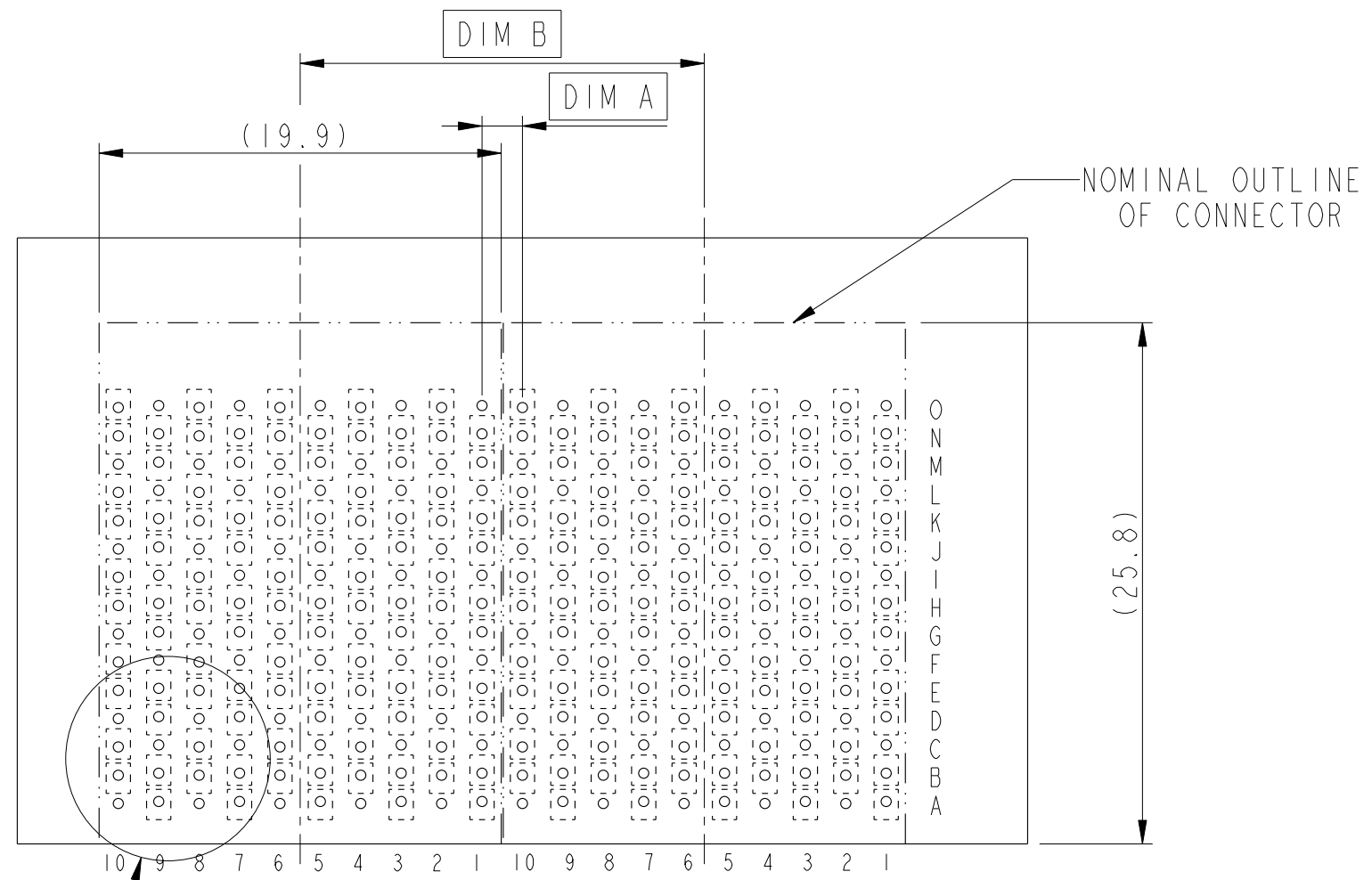
4

A

B

A

B



SEE DETAIL A

RECOMMENDED PCB LAYOUT
FOR DIFFERENTIAL APPLICATIONS
COMPONENT SIDE
(TWO ADJACENT FOOTPRINTS SHOWN)



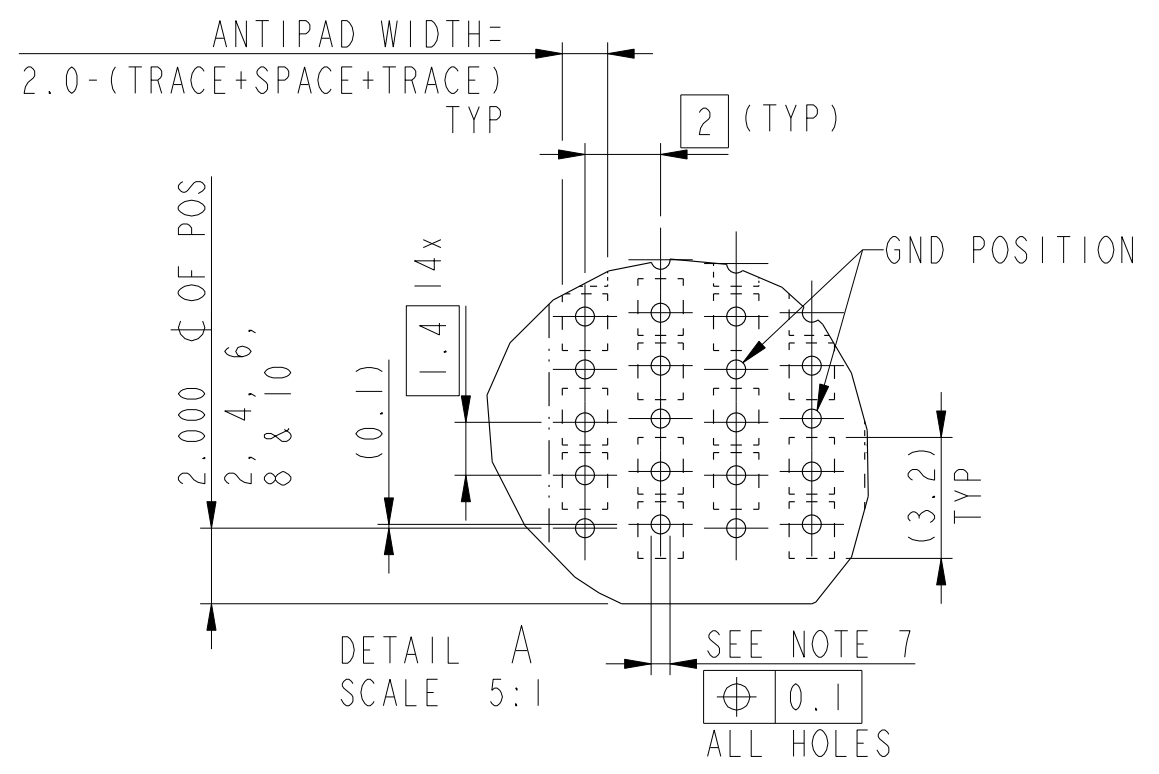
Copyright FCI.

C

D

C

D



ADJACENT HEADER WIDTH	DIM A	DIM B
20MM/20MM	2MM	20MM
20MM/22MM	3MM	21MM
22MM/22MM	4MM	22MM

	Title AirMax VS R.A. Receipt		dwg no 10034475	Rev. H
	Ass'y, 5 pair, 150pos, 2mm, 101MLA			
catalog no -		CUSTOMER	sheet 2 of 3	

I

2

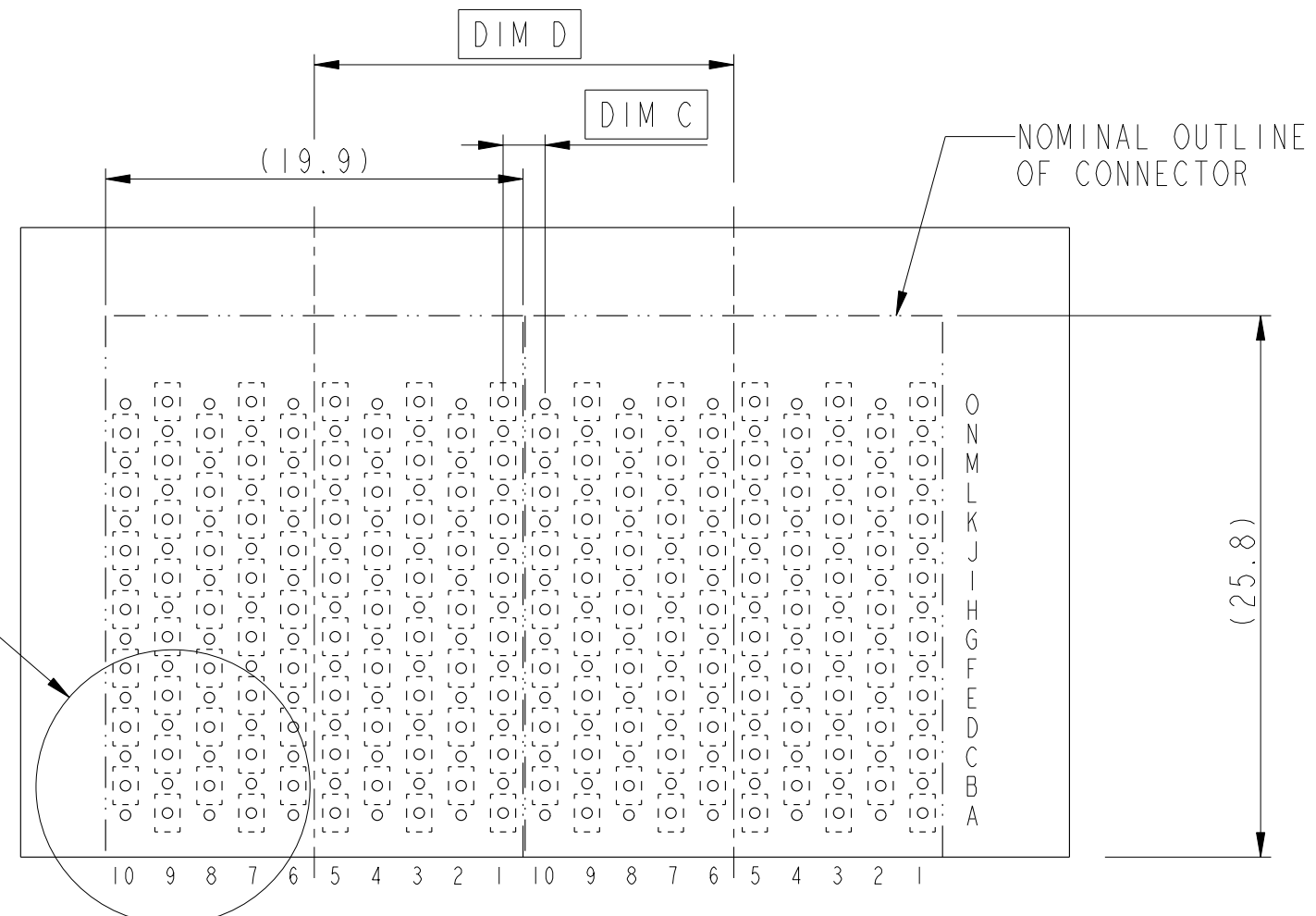
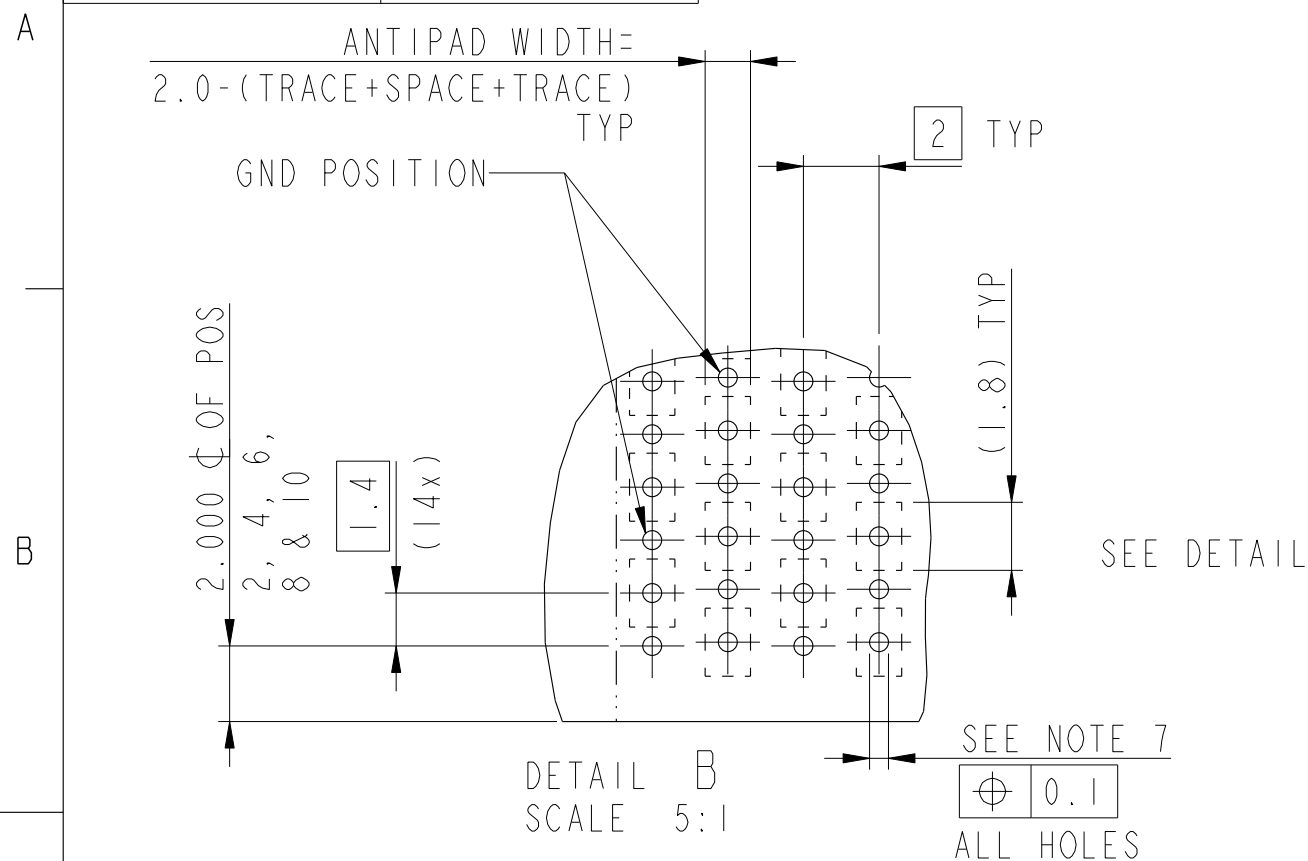
3

PDM: Rev:H

STATUS: Released

Printed: Nov 30, 2010

PART NUMBER	PRESS FIT TAIL PLATING TYPE
10034475-101	TIN/LEAD ALLOY OVER NICKEL
10034475-101LF	LEAD FREE



NOTES:

- CONNECTOR MATERIALS:
HOUSING & RETAINER: HIGH TEMP THERMOPLASTIC, NATURAL, UL94V-0
IMLA PLASTIC: HIGH TEMP PLASTIC, BLACK, UL94V-0
CONTACT: COPPER ALLOY.
- CONTACT PLATING:
SEPARABLE INTERFACE: PERFORMANCE BASED PLATING, QUALIFIED TO MEET THE REQUIREMENTS OF FCI PRODUCT SPECIFICATION GS-12-239, INCLUDING TELCORDIA GR-1217-CORE (NOV 1995) CENTRAL OFFICE TEST SEQUENCE.
PRESS-FIT TAILS: SEE TABLE
- PRODUCT SPECIFICATION: GS-12-239
- APPLICATION SPECIFICATION: GS-20-035
- PRODUCT MARKING, (PARTNUMBER & LOT CODE), ON THIS SURFACE
- THERE IS NO GROUND BUSSING WITHIN THE CONNECTOR SYSTEM.
- SEE CUSTOMER DRAWING 10045979 FOR INFORMATION ON PCB HOLE DIAMETER AND PLATING OPTIONS
- THIS PRODUCT MEETS EUROPEAN UNION DIRECTIVES AND OTHER COUNTRY REGULATIONS AS DESCRIBED IN GS-22-008.
- THE HOUSING WILL WITHSTAND EXPOSURE TO 260 °C PEAK TEMPERATURE FOR 40 SECONDS IN A CONVECTION, INFRA-RED OR VAPOR PHASE REFLOW OVEN.
- PACKAGE MEETS GS-14-920 LEAD FREE LABELLING SPEC.
- A \triangle H SYMBOL WILL BE NEXT TO ANY DIMENSION, VIEW, OR NOTE WHICH HAS BEEN MODIFIED WITH THE CURRENT DRAWING REVISION.

RECOMMENDED PCB LAYOUT
FOR SINGLE ENDED APPLICATIONS
COMPONENT SIDE
(TWO ADJACENT FOOTPRINTS SHOWN)

ADJACENT HEADER WIDTH	DIM C	DIM D
20MM/20MM	2MM	20MM
20MM/22MM	3MM	21MM
22MM/22MM	4MM	22MM

FCI	Title	AirMax VS R.A. Receipt	dwg no	10034475	Rev.	H
	Ass'y	5 pair, 150pos, 2mm, 10IMLA		CUSTOMER		sheet 3 of 3
	catalog no	-				