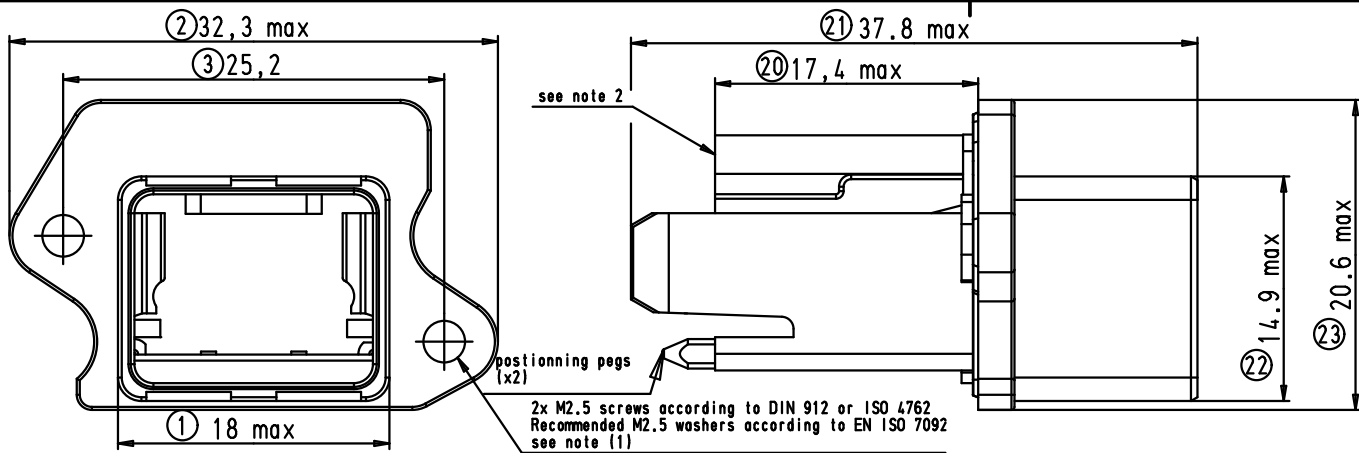
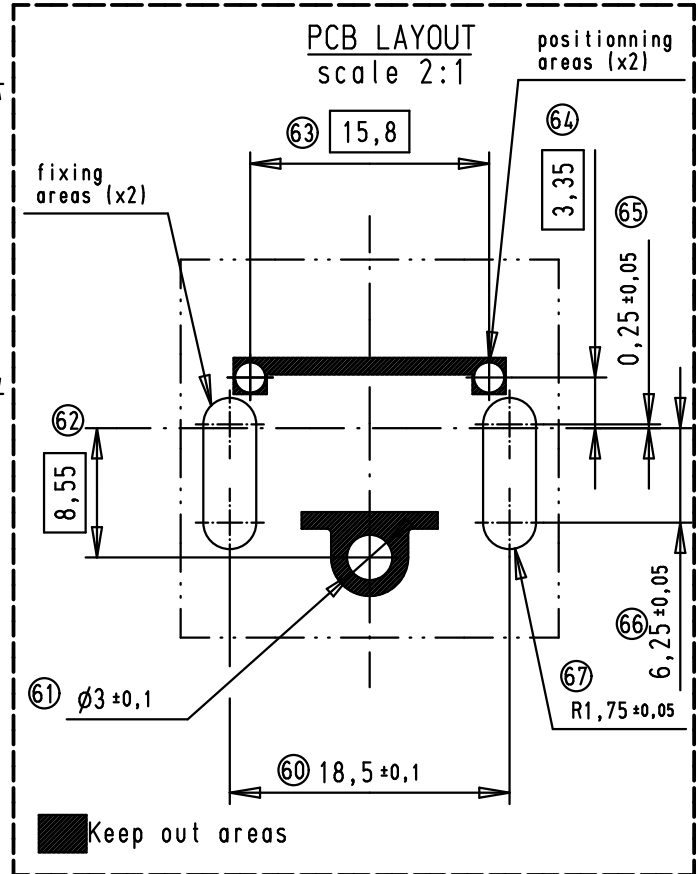
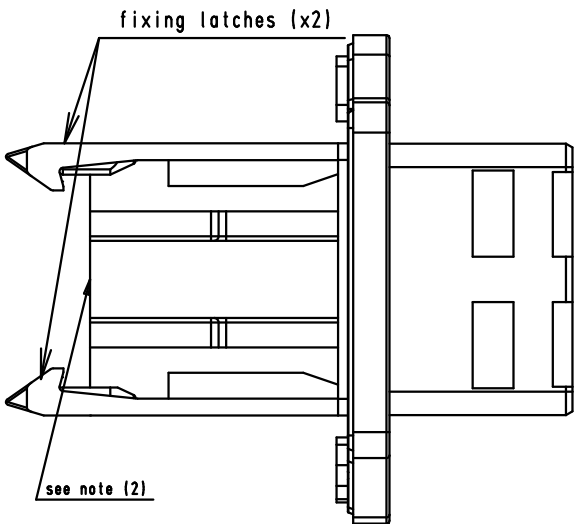
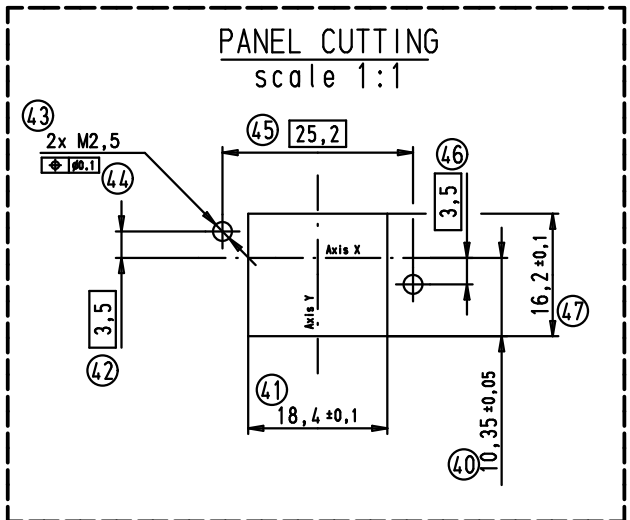


1 2 3 4 5 6

A



B

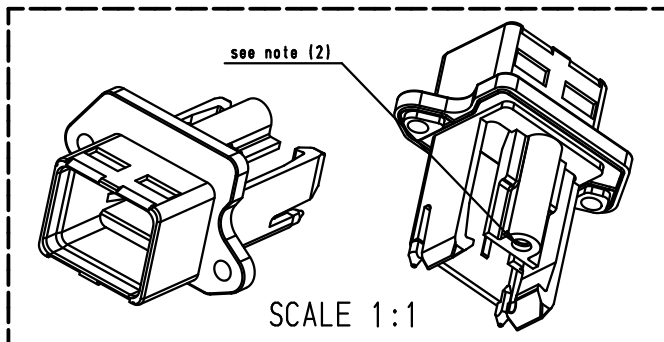


Connector pitch on panel
Axis X=27mm and Axis Y=21mm

Compatible with hybrid push pull receptacle
TB 09 45 545 1300

- (1) screwing torque = 0.3N.m
- (2) screw between housing and PCB:
screw for plastic \varnothing nom 2.6mm
Lmax 6mm and screwing torque 0.45 to 0.5N.m

C



D

				Det.	Name	<p>All Dim. in mm Orig. Size DIN A 4</p>	<p>STRAIGHT HYBRID PUSH PULL HOUSING</p>	Maßstab/ Scale
			Detail.	24/09/08	AB			2:1
			Insp.					
			Stand.					
35317	24/09/08	AB	HARTING EURL F-95972 Paris				TB 09 45 545 1320	Blatt/ Page
Mod.	Det.	Name					Sub.	1 / 1