

# Customer Information Sheet

DRAWING No.: S8071-46R

SHEET 2 OF 2

IF IN DOUBT - ASK

Ⓒ

NOT TO SCALE

THIRD ANGLE PROJECTION

ALL DIMENSIONS IN mm

- NOTES:
- THIS PRODUCT IS RECOMMENDED FOR USE WITH S07-46 AND S08-46 BRIDGE PINS.
  - ALL PRODUCT IS RoHS AND REACH COMPLIANT.
  - PRODUCT IS TAPE AND REELED IN GENERAL ACCORDANCE WITH EIA-481-2 (ELECTRONICS INDUSTRIES ASSOCIATION).
  - PACKAGING = 10,000 COMPONENTS PER REEL.

SPECIFICATION:

MATERIAL:  
CONTACT = STAINLESS STEEL, 0.15mm THICK

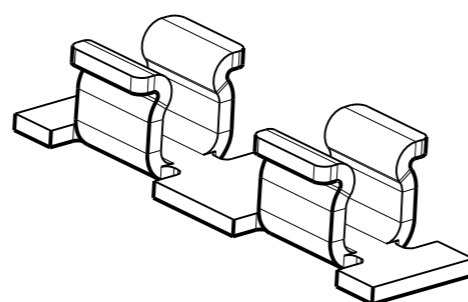
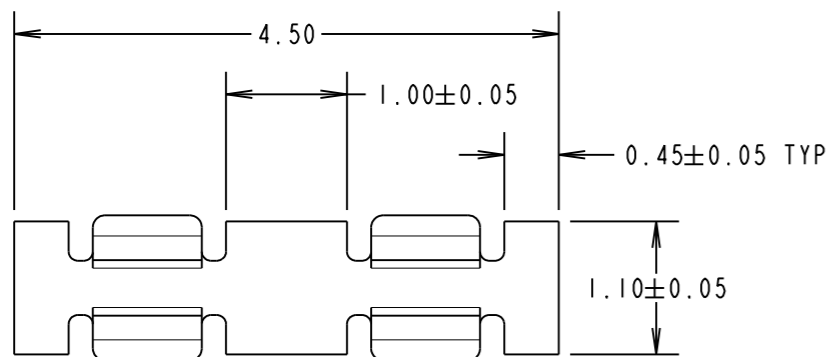
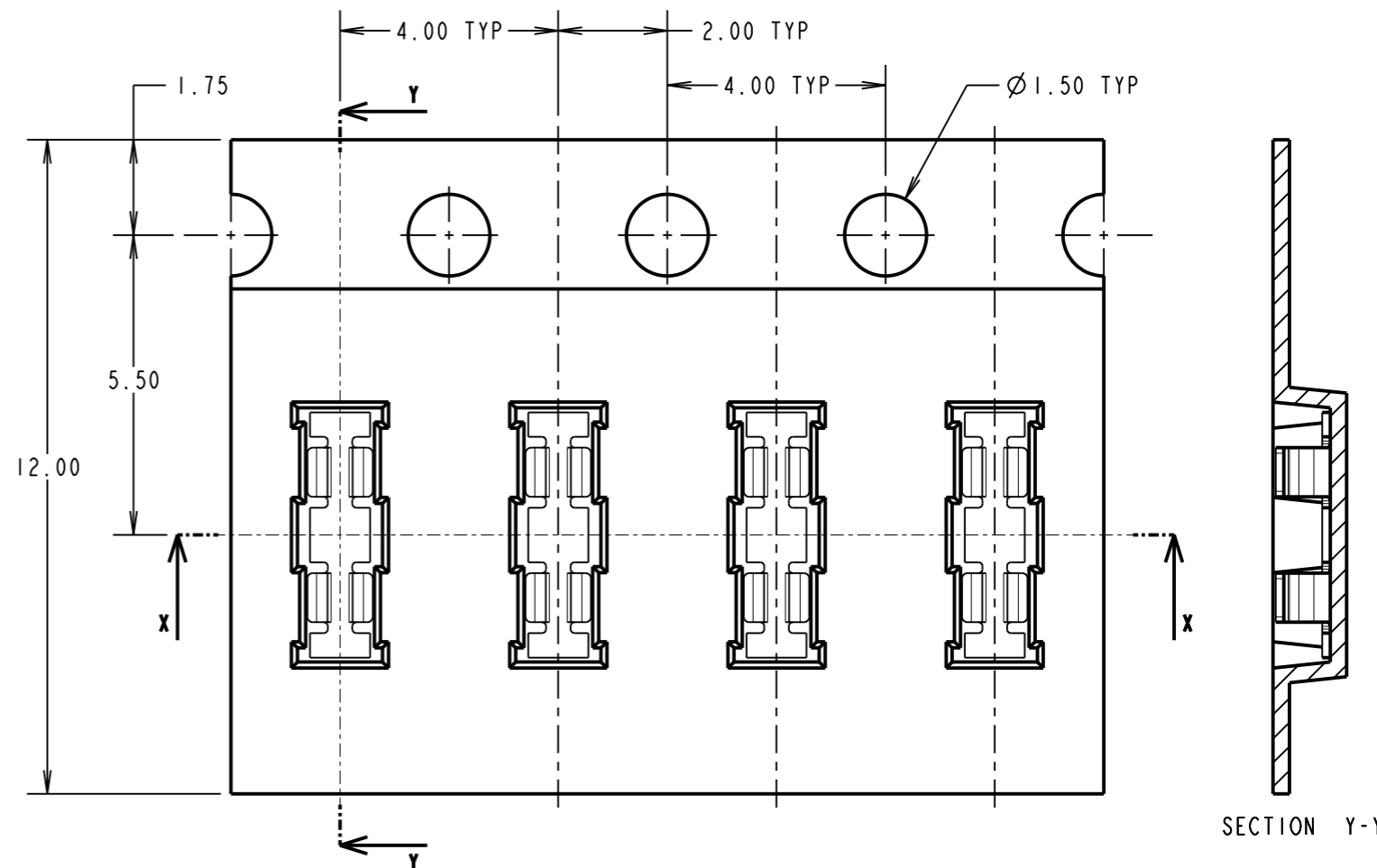
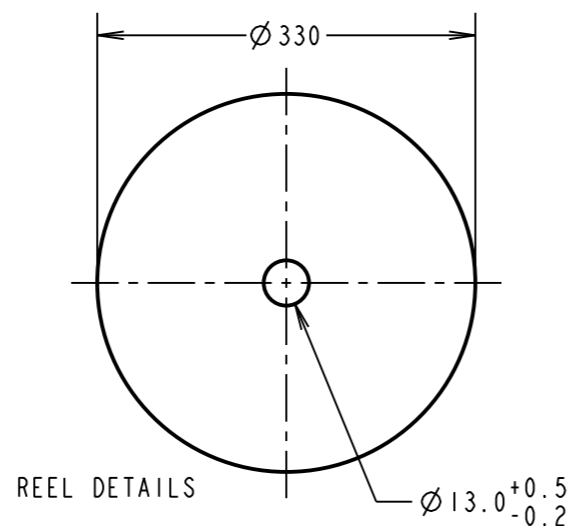
FINISH:  
1.0 $\mu$  - 3.0 $\mu$  TIN OVER 0.4 $\mu$  - 1.5 $\mu$  NICKEL

ELECTRICAL:  
CURRENT RATING = 1.5A  
VOLTAGE RATING = 250V AC/DC

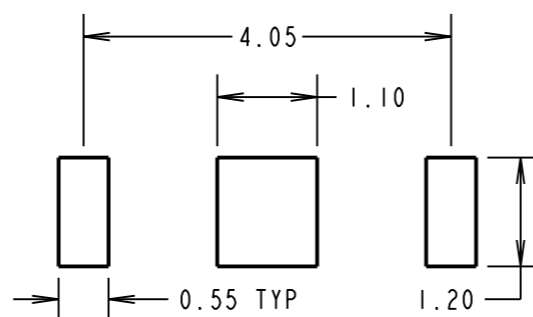
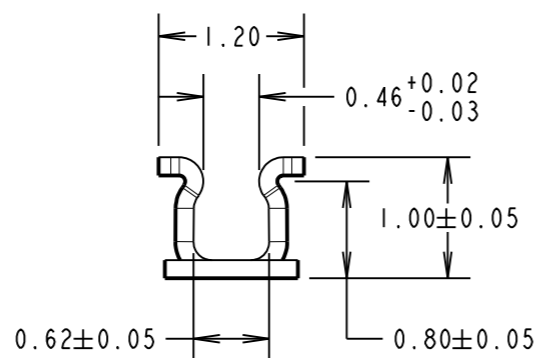
MECHANICAL:  
INSERTION FORCE = 25N MAX (INITIAL)  
WITHDRAWAL FORCE = 8N MIN (INITIAL)

ENVIRONMENTAL:  
OPERATING TEMPERATURE = -40°C TO +85°C

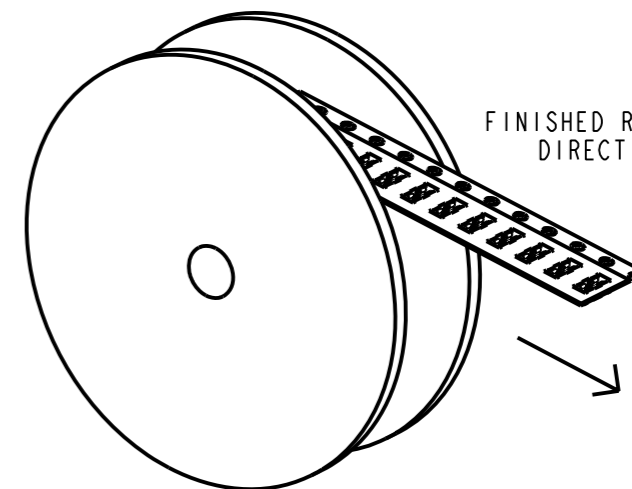
SOLDERING DATA:  
SOLDERING HEAT RESISTANCE = 250°C FOR 10 SECONDS MAX



COMPONENT DETAILS



RECOMMENDED PCB LAYOUT  
(TOLERANCE = ±0.05)



SB	1	17.06.15	-----
NAME	ISS.	DATE	C/NOTE
APPROVED:		S.BENNETT	
CHECKED:		M.PLESTED	
DRAWN:		S.BENNETT	
CUSTOMER REF.:			
ASSEMBLY DRG:			

**HARWIN**

www.harwin.com  
technical@harwin.com

THIS DRAWING AND ANY INFORMATION OR DESCRIPTIVE MATTER SET OUT HEREON ARE CONFIDENTIAL AND COPYRIGHT PROPERTY OF THE HARWIN GROUP AND MUST NOT BE DISCLOSED, LOANED, COPIED OR USED FOR MANUFACTURING, TENDERING OR FOR ANY OTHER PURPOSE WITHOUT THEIR WRITTEN PERMISSION.

TOLERANCES

X. = ±1mm  
X.X = ±0.50mm  
X.XX = ±0.10mm  
X.XXX = ±0.01mm  
ANGLES = ±5°  
UNLESS STATED

MATERIAL:

SEE ABOVE

FINISH: SEE ABOVE

S/AREA: mm<sup>2</sup>

TITLE:

VERTICAL SMT CONTACT

DRAWING NUMBER:

S8071-46R

SHT  
2 OF 2