

10 9 8 7 6 5 4 3 2 1

F

E

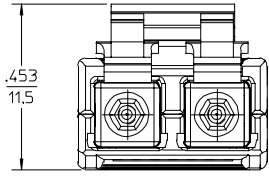
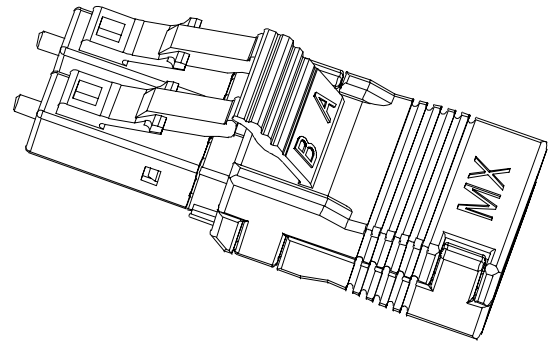
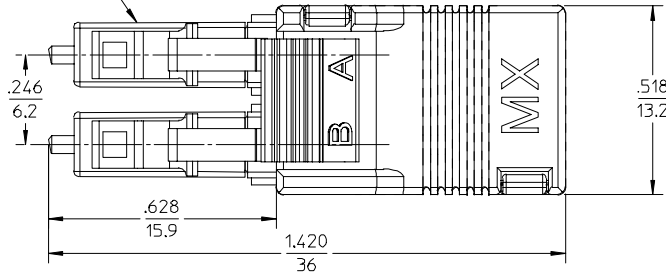
D

C

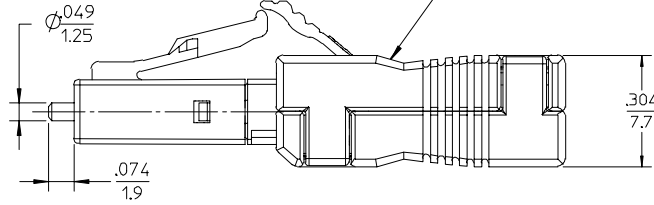
B

A

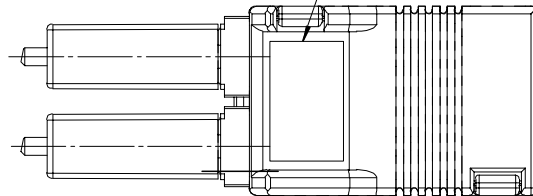
LC/APC CONNECTOR HEAD
(2x)



LC LOOPBACK BODY,
GREEN



LABEL
SEE NOTE 6



NOTES:

1. ALL DIMENSIONS ARE FOR REFERENCE ONLY.
2. DUST CAPS ARE NOT SHOWN, BUT INCLUDED.
3. FIBER TYPE - SINGLEMODE.
4. MAXIMUM INSERTION LOSS PER CONNECTOR (TWO MATED PAIRS):
AT 1550nm: 3.0dB,
AT 1310nm: 3.0dB.
5. OPERATING TEMPERATURE RANGE: -40° TO +85°C.
6. LABEL IS PRINTED WITH "APC" AND "3dB" AND PLACED ON THE BACK SIDE OF THE CONNECTOR AS SHOWN.

| | | | | | | | | | |
|--|-------------------------------|--|---|--------------------------------|--|----------------------|------------------------|--|--|
| ENTER DESCRIPTION EC NO: MF2006-0361 DRWNR:RPACIFCI CHKD: 2005/12/01 APPR:IGUMIN 2005/12/01 REV A | QUALITY SYMBOLS ▽=0 ▽=0 | GENERAL TOLERANCES (UNLESS SPECIFIED) | | DIMENSION STYLE IN/MM | SCALE 2:1 | DESIGN UNITS INCH | THIRD ANGLE PROJECTION | | |
| | | 4 PLACES ± --- ±.0002 3 PLACES ±0.005 ±.005 2 PLACES ±0.13 ±.01 1 PLACE ±0.25 ± --- | DRAWN BY RPACIFCI | DATE 2005/11/22 | TITLE LC/APC LOOPBACK SM 9/125UM, GREEN | | | | |
| | | ANGULAR ±1/2° | CHECKED BY | DATE | APPROVED BY | | | | |
| | | DRAFT WHERE APPLICABLE MUST REMAIN WITHIN DIMENSIONS | MATERIAL NO. 1060520050 | DOCUMENT NO. SD-106052-0050 | MOLEX INCORPORATED | | SHEET NO. 1 OF 01 | | |
| | | SIZE B | THIS DRAWING CONTAINS INFORMATION THAT IS PROPRIETARY TO MOLEX INCORPORATED AND SHOULD NOT BE USED WITHOUT WRITTEN PERMISSION | | | | | | |

9 8 7 6 5 4 3 2 1