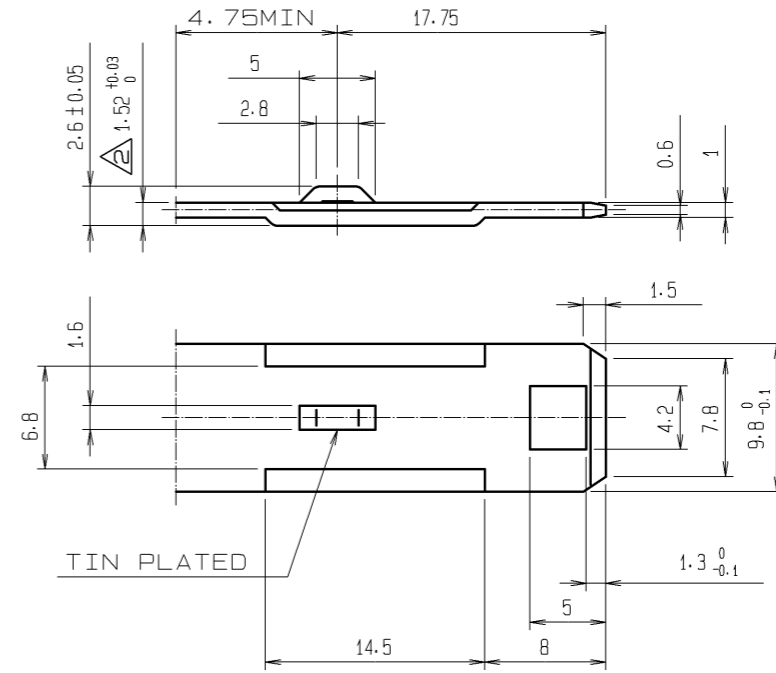
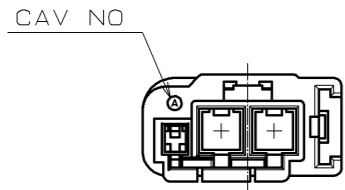
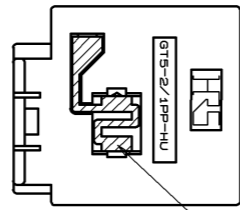
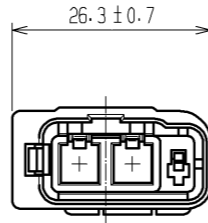
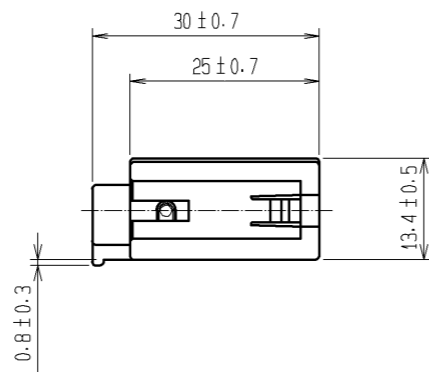
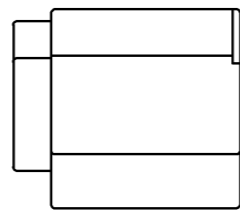
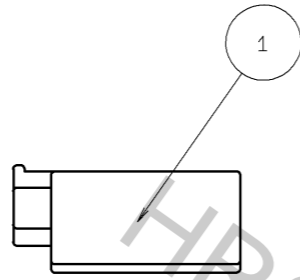
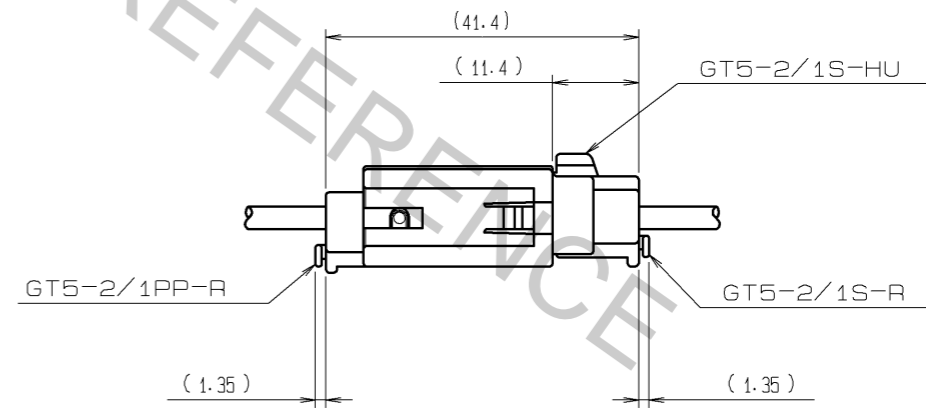


ELV. RoHS COMPLIANT



DETAIL OF FITTING PLATE(2:1)



MATED CONNECTORS

1	PBT	UL94V-0	2	PHOSPHOR BRONZE	TIN PLATED, T=0.3
NO.	MATERIAL	FINISH, REMARKS	NO.	MATERIAL	FINISH, REMARKS
UNITS mm		SCALE 1:1	COUNT 	DESCRIPTION OF REVISIONS	DESIGNED
APPROVED : KS. SATOH				08.06.11	DRAWING NO.
CHECED : NH. NAKATA				08.06.10	PART NO.
DESIGNED : MO. OKADA				08.06.09	NO.
DRAWN : MH. SHOUJI				08.05.22	CODE NO.
EDC3-084643-01					
GT5-2/1PP-HU(70)					
CL755-0008-8-70					1/1