

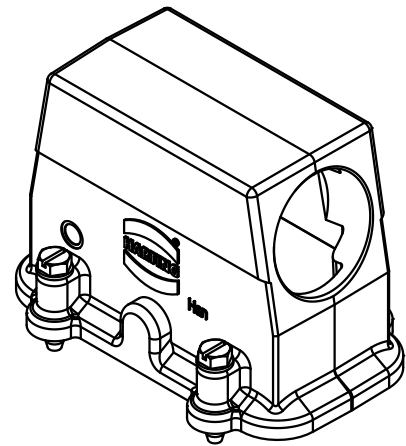
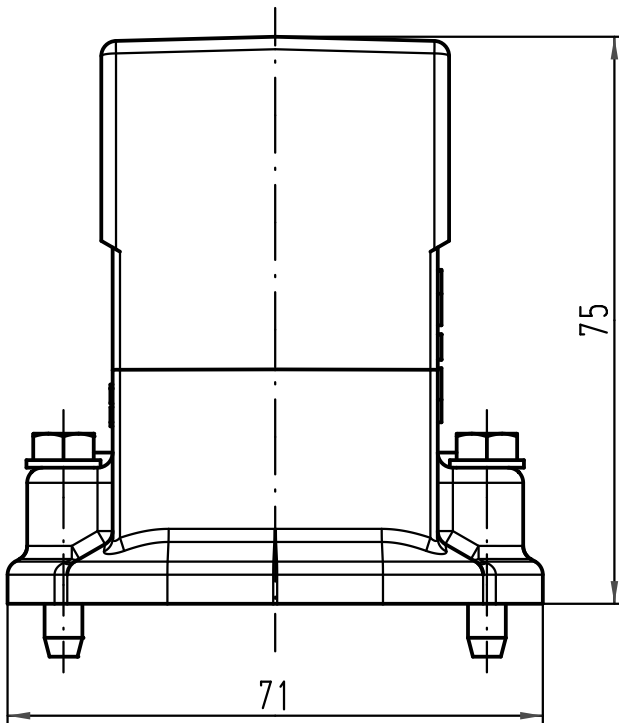
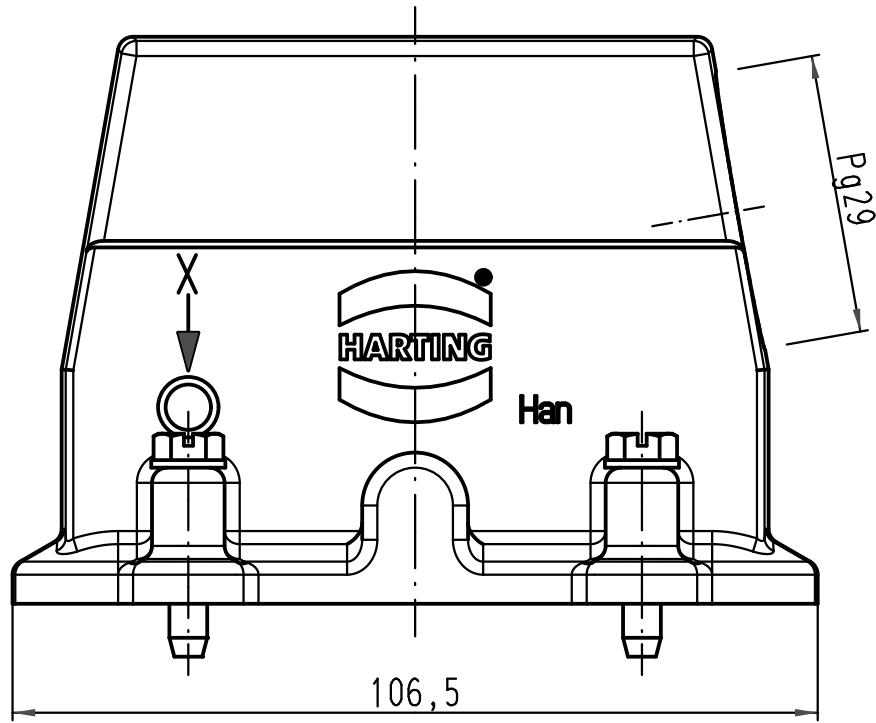
1 2 3 4 5 6

A

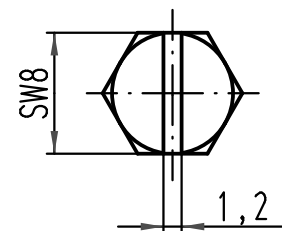
B

C

D



X (2:1)



|   |      |   |          |   |                                 |   |
|---|------|---|----------|---|---------------------------------|---|
| All Dimensions in mm<br>Original Size DIN A 4 |      | Techn. Character.                                   |          | Nicht tolerierte Maß/Free size tolerances |                                 |   |
|   |      |   | Dat.     | Name                                      | Maßstab/Scale<br><br><b>1:1</b> |   |
|   |      | Detail.   | 25.01.11 | gru                                       |                                 |   |
|   |      | Insp.   |          | Tie                                       |                                 |   |
|   |      | Stand.  |          |   |                                 |   |
| A   |      | HARTING Electric GmbH & Co. KG<br>D-32339 Espelkamp |          |   |                                 | TB 09 62 040 0541<br>Sub. TB 09 62 040 0541 v. 18.05.04 |
| Mod.  | Dat. | Name  |          |   |                                 |   |