

MODEL NUMBER
ADT-2596-MF-TNC-02

NOTES:

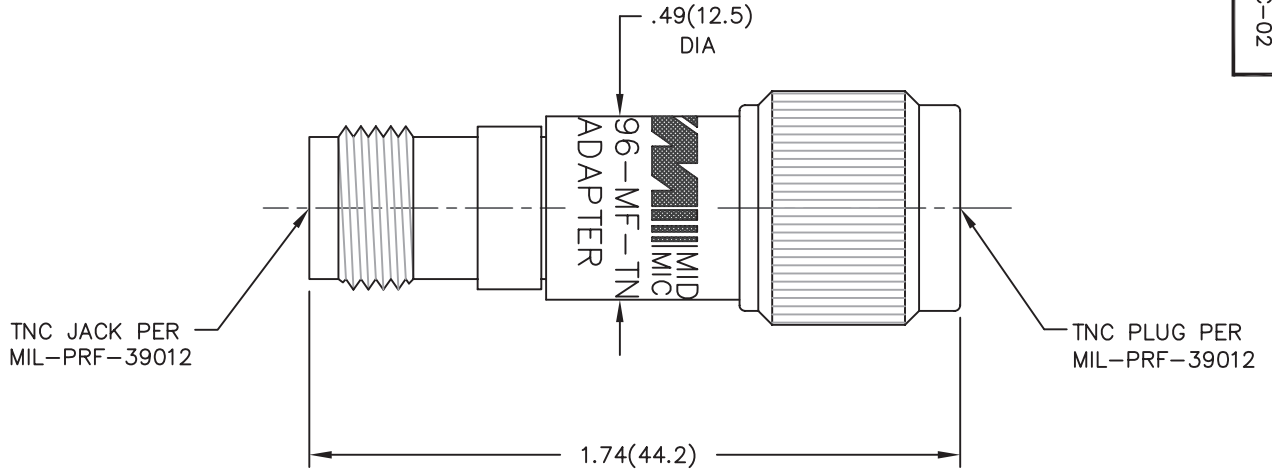
- 1.0 MATERIALS:
 1.1 HOUSINGS & COUPLING NUT: STAINLESS STEEL PER ASTM-A582, TYPE 303.
 1.2 CENTER CONTACT: BERYLLIUM COPPER ROD ALLOY C172, PER ASTM-B196.
 1.3 DIELECTRIC: PTFE FLOUROCARBON PER ASTM-D1457.

- 2.0 PLATING:
 2.1 HOUSINGS & COUPLING NUT: PASSIVATED PER MIL-F-14072 AND QQ-P-35.
 2.2 CENTER CONTACT: GOLD PER MIL-G-45204, TYPE II, CLASS 2.

- 3.0 ELECTRICAL SPECIFICATIONS:
 3.1 FREQUENCY RANGE: DC to 18.0 GHz
 3.2 VSWR (MAX):
 DC to 4.0 GHz: 1.05:1
 4.0 to 8.0 GHz: 1.10:1
 8.0 to 18.0 GHz: 1.15:1
 3.3 IMPEDANCE: 50 OHMS

4.0 MARKING: MARK UNIT AS SHOWN (REF: INK-02669-27-20)

5.0 DIMENSIONS IN PARENTHESIS ARE IN MILLIMETERS.



DWG. NO. WAS: 2392-01-00

REV.	DESCRIPTION	DATE
I	RELEASED	2/10/79
A	ECR 10356	7/12/83
B	ECN 12849	8/12/83
C	ECN 13908	9/8/94
C1	ADDED TITLEBLOCK	3/10/05

<p>NOTICE: The information contained in this drawing is proprietary and must not be used without the permission of Cinch Connectivity Solutions.</p> <p>UNLESS OTHERWISE NOTED DIMENSIONS ARE IN INCHES AND TOLERANCES ARE:</p> <p>3 PLACE DECIMALS ±.005 2 PLACE DECIMALS ±.02 FRACTIONS ±1/64 PARALLELITY: T.I.R. _____ FLATNESS: T.I.R. _____ CONCENTRICITY: T.I.R. _____ ANGLES AND PERPENDICULARITY: ±1°</p>	<p>CAGE CODE 34078</p>	<p>MIDWEST MICROWAVE</p>		
	<p>TITLE ADAPTER TNC PLUG TO TNC JACK OUTLINE DRAWING</p>			<p>REV. C1</p>
	<p>DRAWN/DATE M.HOLLMAN 8/12/93</p>	<p>ENG./DATE A.OSGA 8/13/93</p>	<p>DRAWING NUMBER ADT-2596-MF-TNC-02-01</p>	
	<p>CHECKED/DATE A.BEATTY 8/13/93</p>	<p>APPROVED/DATE</p>	<p>SCALE: 5=1</p>	<p>SHEET 1 of 1</p>