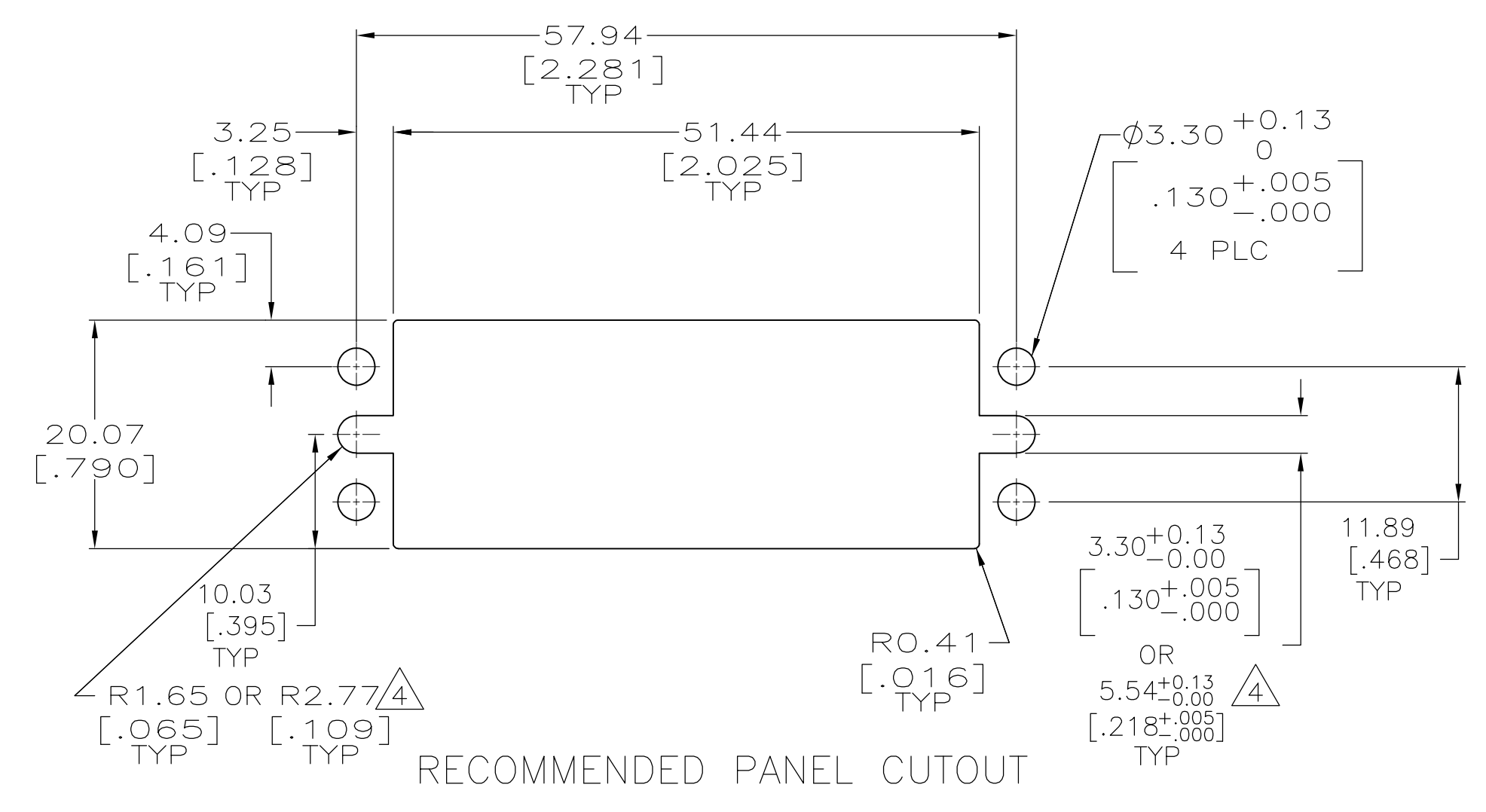
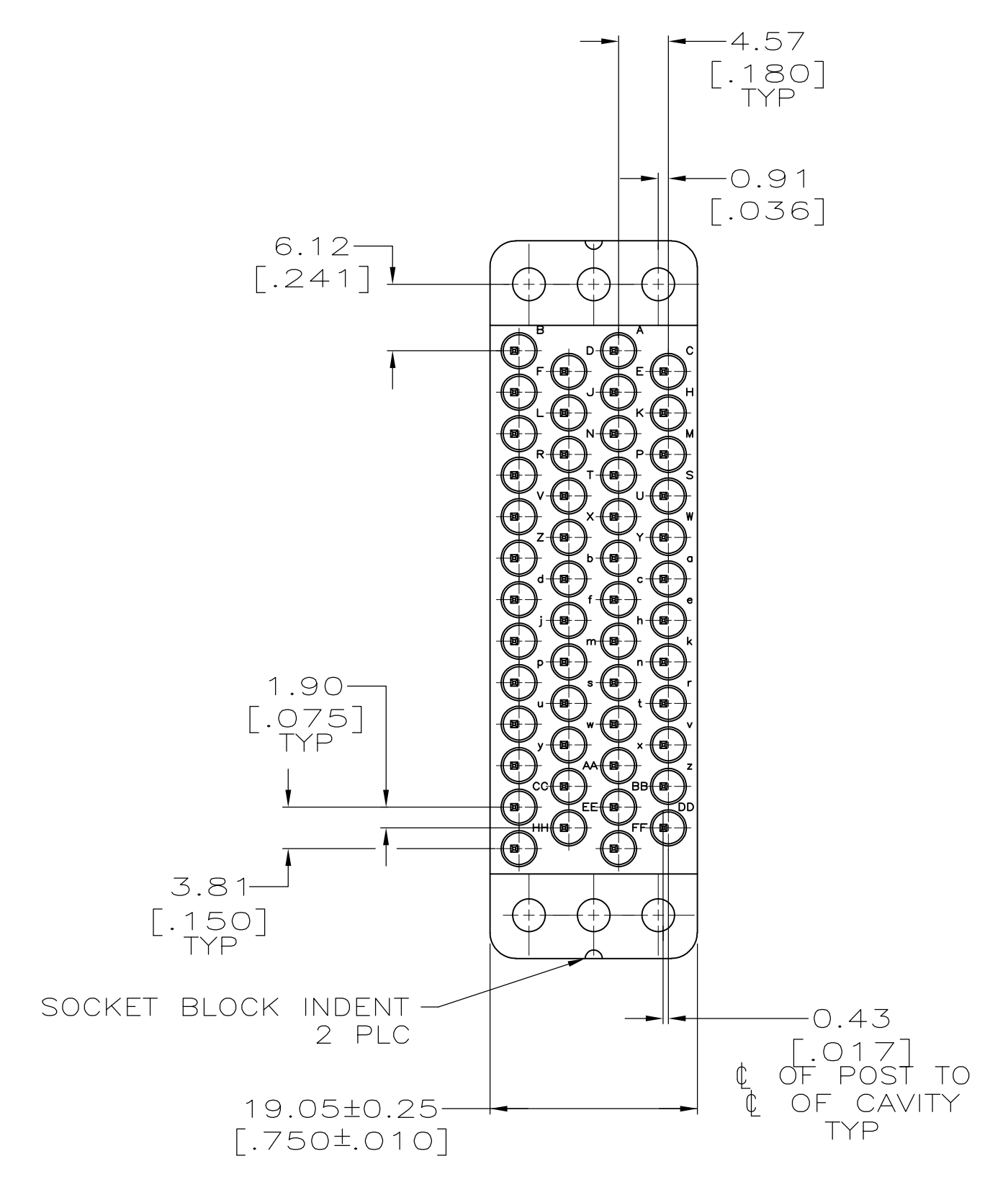
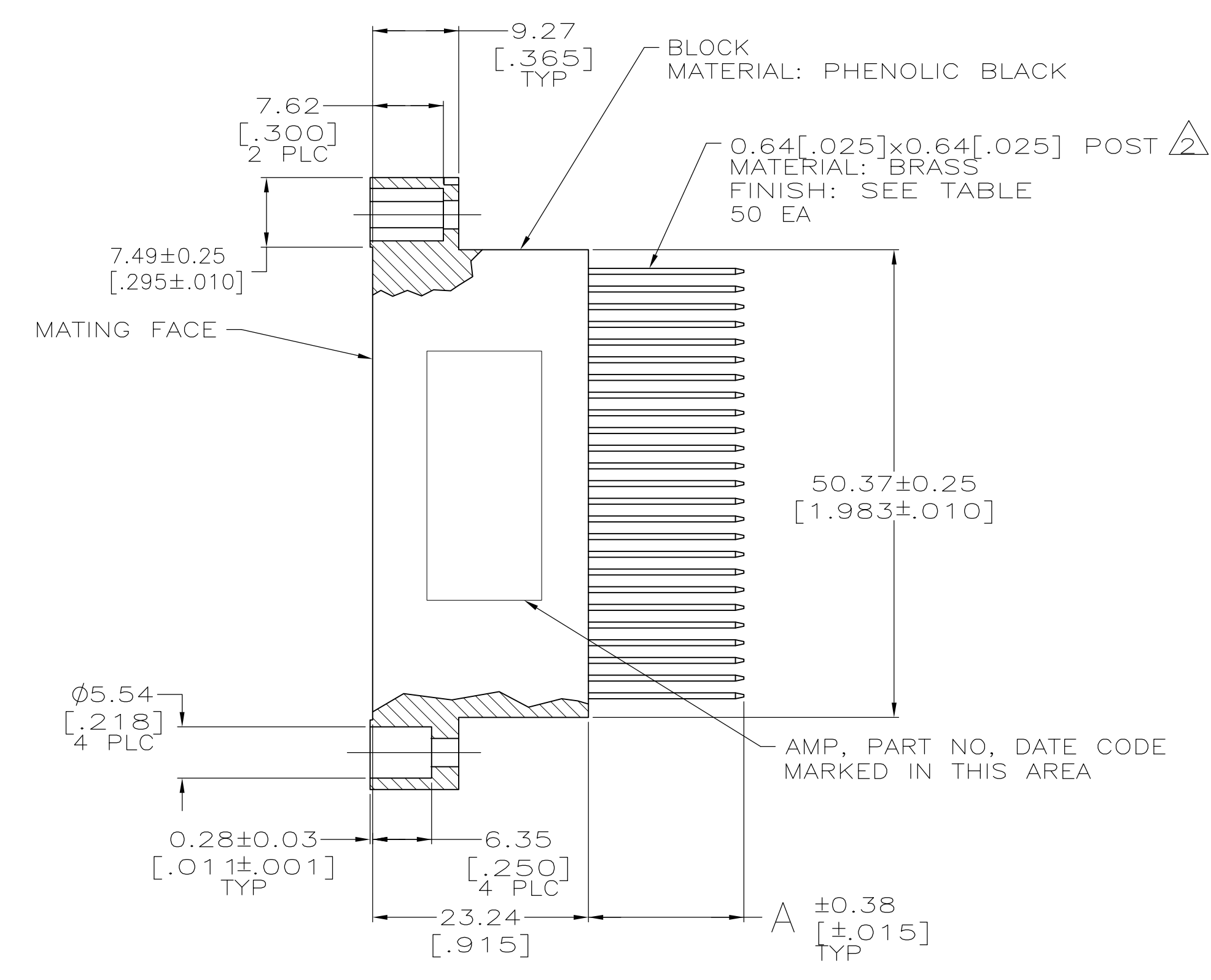
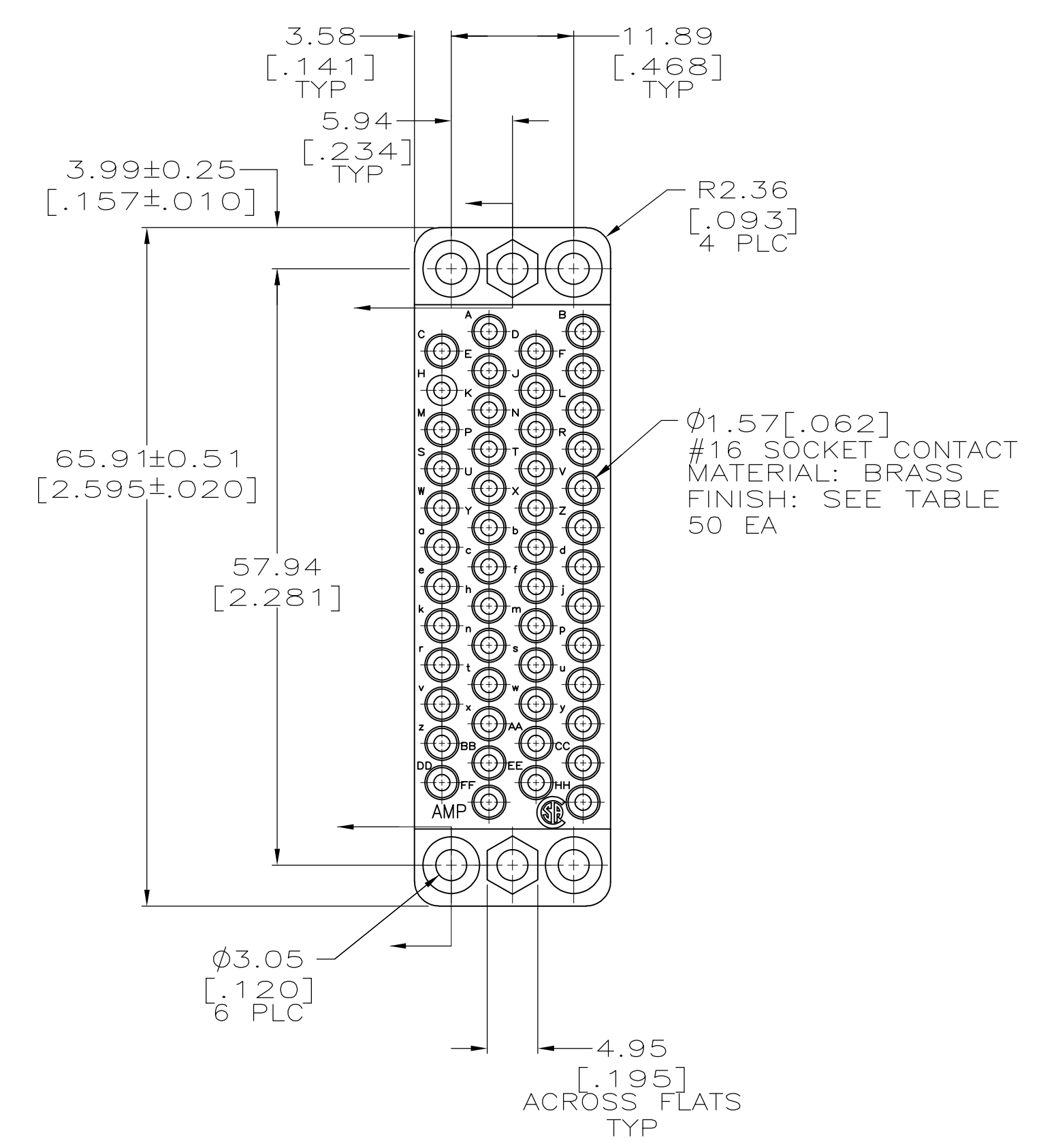


LOC		DIST		REVISIONS			
P	LTR	DESCRIPTION	DATE	DN	APVD		
W		REVISED PER ECO-07-010240	5/3/07	SS	GS		
W1		REVISED PER ECO-09-020935	09SEP09	KK	AE		



- △ 0.76um[.000030] MIN GOLD, INTERNALLY, FOR A LENGTH OF 5.08[.200] FROM MATING END WITH GOLD FLASH ON REMAINDER, ALL OVER 0.76um[.000030] MIN NICKEL.
- △ POSTS ARE SEMI-AUTOMATICALLY WIREABLE AND WILL ACCOMMODATE (SEE TABLE) TERMINATIONS.
- 3. #24 AWG MAX WIRE TO BE USED WITH THIS CONNECTOR.
- △ ALTERNATE DIMENSION FOR USE WITH JACKSCREWS.
- △ 2.54um[.000100] MIN TIN-LEAD OVER 1.27um[.000050] MIN NICKEL.
- △ 2.54um[.000100] MIN TIN OVER 1.27um[.000050] MIN NICKEL.
- △ OBSOLETE PARTS: OBSOLETE CIS STREAMLINING PER D.RENAUD/D.SINISI

OBSOLETE	△6	6.63 [.261]	△1	1	9-205514-2
	△6	16.74 [.659]	△1	3	9-205514-1
OBSOLETE	-	6.63 [.261]	△5	1	3-205514-3
OBSOLETE	△5	6.63 [.261]	△1	1	3-205514-1
	△5	16.74 [.659]	△1	3	205514-1
POST FINISH		A	CONTACT FINISH	NO OF TERM	PART NUMBER

THIS DRAWING IS A CONTROLLED DOCUMENT.

DIMENSIONS: mm [INCHES]	TOLERANCES UNLESS OTHERWISE SPECIFIED:	DIN C. REIFSNYDER 14 FEB 96	APVD M. MCALONIS 22 FEB 96	NAME M. MCALONIS	SIZE A1	CAGE CODE 00779	DRAWING NO. 205514	RESTRICTED TO
0 PLC ± -	1 PLC ± -	2 PLC ± 0.13 [.005]	3 PLC ± -	4 PLC ± -	WEIGHT	SCALE 2:1	SHEET 1 OF 1	REV W1

Tyco Electronics Corporation  
Harrisburg, Pa 17105-3608

SOCKET ASSY, 50 POSITION, AUTOWIREABLE, STANDARD M SERIES

CUSTOMER DRAWING