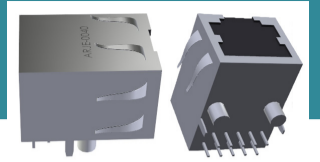


RJ45 1000 BASE-T JACK WITH MAGNETIC MODULE SUITABLE FOR PIH REFLOW



21.72 x 16.26 x 14.10mm
RoHS/RoHS II Compliant

ARJE-0040

FEATURES

- Optimized for low power consumption, wearables, and IoT applications
- Guaranteed low 100Ω ESR ensures operation in power sensitive solutions
- 0.40mm max height ideally suited for height constrained designs
- Seam sealed for longterm reliability
- Well suited for pin-in-hole (pin-in-paste) soldering

APPLICATIONS

- Wearables
- Internet of Things (IoT)
- Bluetooth/Bluetooth Low Energy (BLE)
- Wireless modules
- Machine-to-machine (M2M) connectivity
- Ultra-low power MCU
- WiFi

STANDARD SPECIFICATIONS

PARAMETERS	MINIMUM	TYPICAL	MAXIMUM	UNITS	NOTES
Turn Ratio (±3%)	1CT:1CT				
Inductance	350			uH	100kHz, 0.1Vrms, 8mADC
Insertion Loss			1.0	dB	0.1-100MHz
			1.2		100-125MHz
Return Loss	18.0			dB	
	12-20Log(F/80)*				0.1-100MHz
Crosstalk	33-20Log(F/50)*			dB	0.1-100MHz
CMRR	32.0			dB	0.1-100MHz
Hipot	2250 VDC min				Pri to Sec

PART IDENTIFICATION AND ORDERING INFORMATION

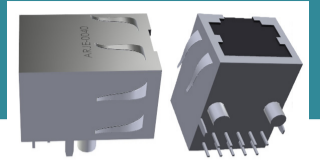
ARJE-0040-



PACKAGING

Blank: Bulk

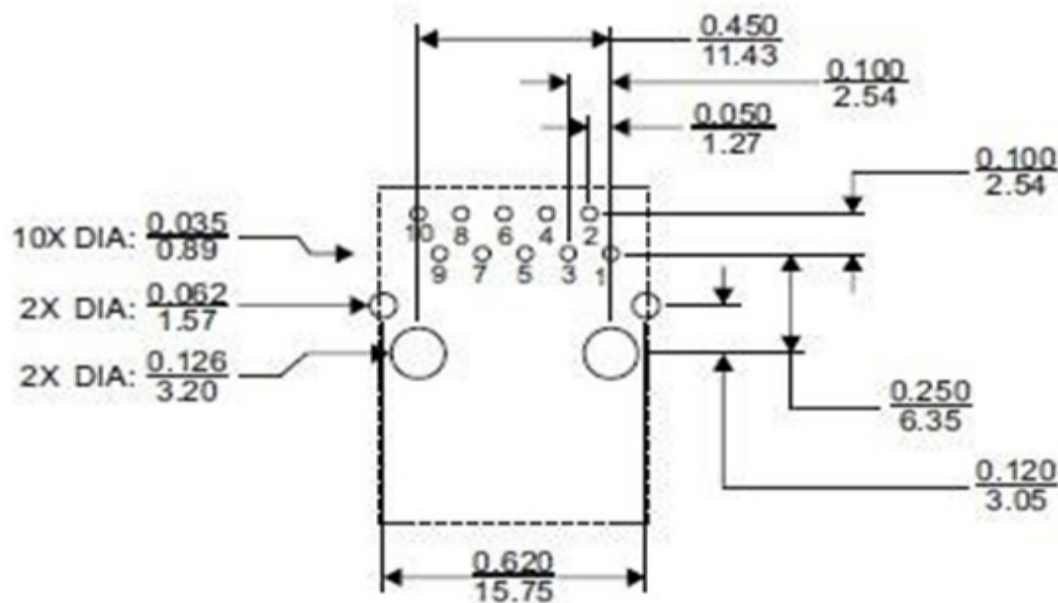
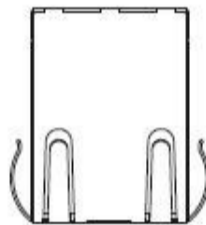
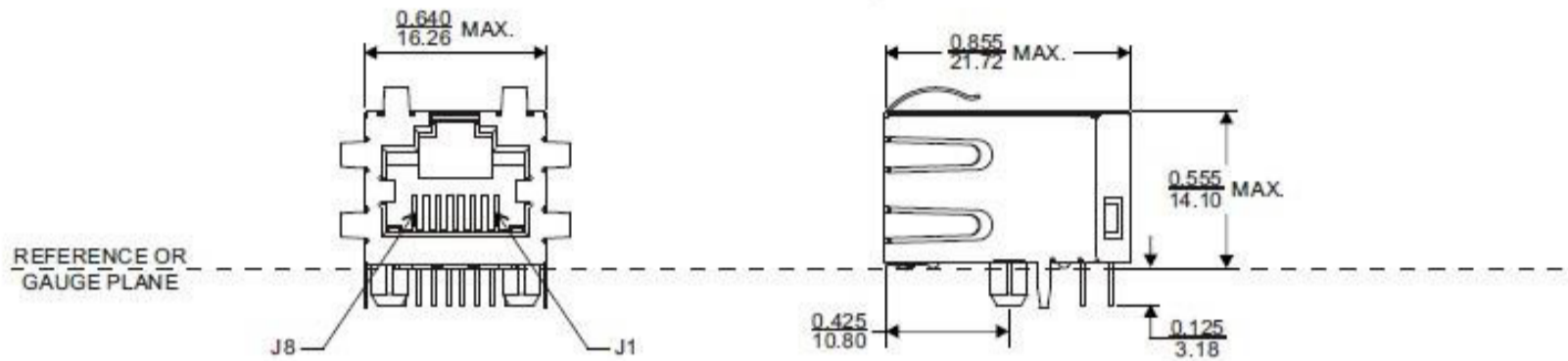
RJ45 1000 BASE-T JACK WITH MAGNETIC MODULE SUITABLE FOR PIH REFLOW



21.72 x 16.26 x 14.10mm
RoHS/RoHS II Compliant

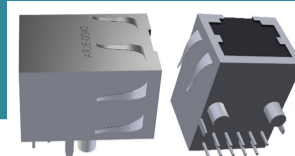
ARJE-0040

MECHANICAL DIMENSIONS: mm (unless otherwise specific, all tolerances are $\pm 0.01/0.25$)



RECOMMENDED LANDING PATTERN

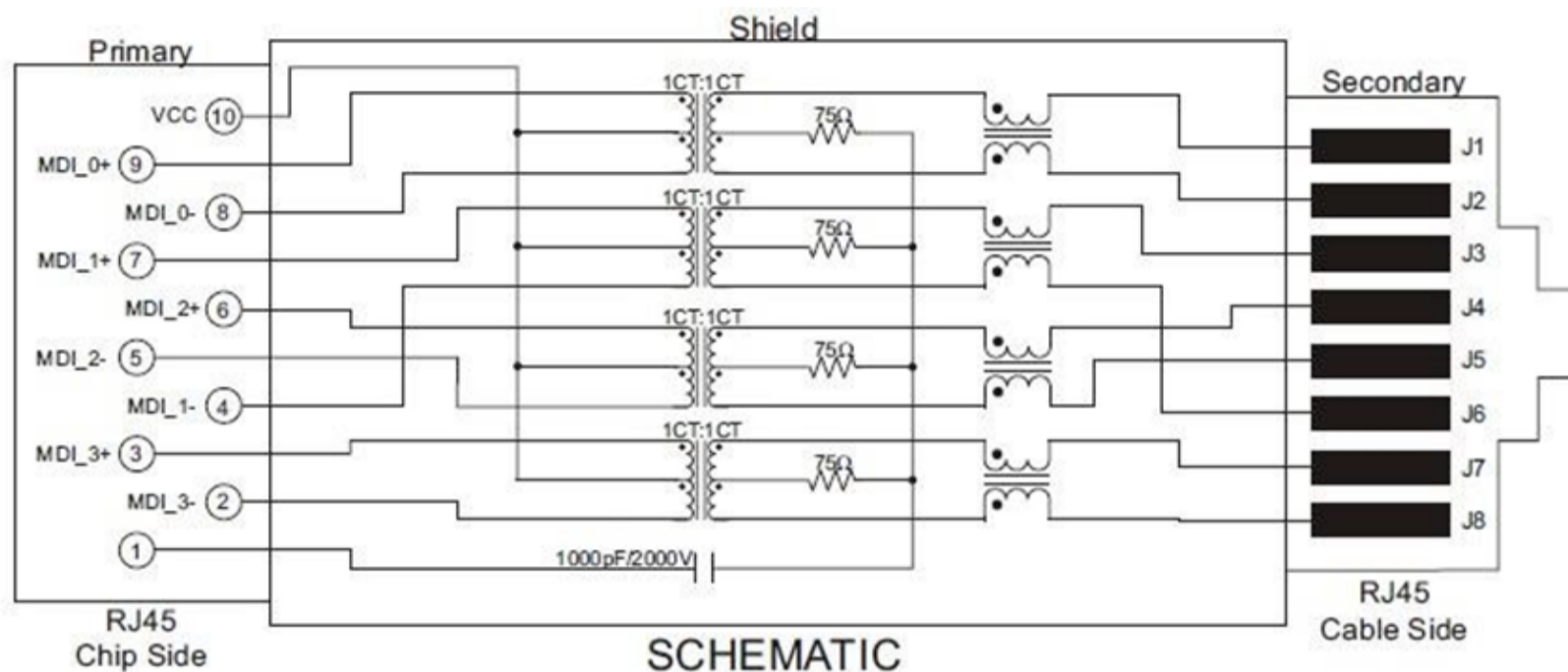
RJ45 1000 BASE-T JACK WITH MAGNETIC MODULE SUITABLE FOR PIH REFLOW



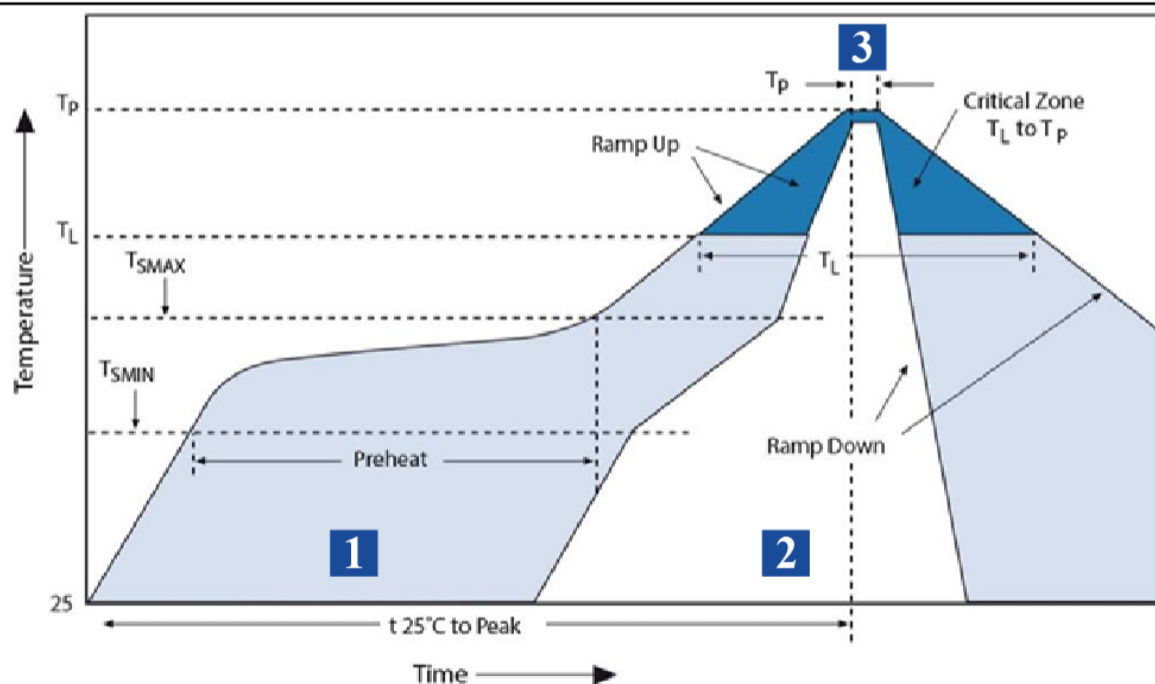
21.72 x 16.26 x 14.10mm
RoHS/RoHS II Compliant

ARJE-0040

SCHEMATIC



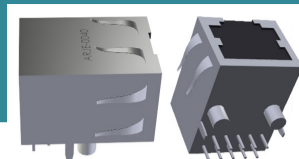
REFLOW



Zone	Description	Temperature	Time
1	Preheat	$T_{SMIN} \sim T_{SMAX}$ 150°C ~ 200°C	60 ~ 180 sec.
2	Reflow	T_L 217°C	60 ~ 150 sec.
3	Peak heat	T_p 245°C	20 ~ 40 sec.

REVISED: 09/26/2016

RJ45 1000 BASE-T JACK WITH MAGNETIC MODULE SUITABLE FOR PIH REFLOW

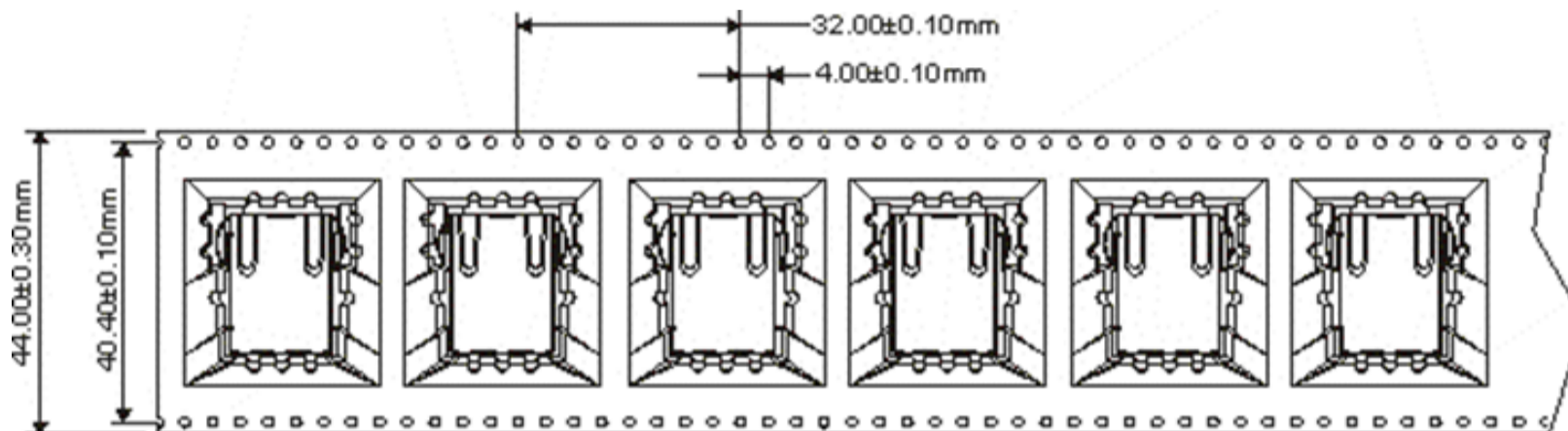


ARJE-0040

21.72 x 16.26 x 14.10mm
RoHS/RoHS II Compliant

PACKAGING

T: 40 pcs/reel, 120 pcs/carton



NOTES

1. The parts are manufactured in accordance with this specification. If other conditions and specifications which are required for this specification, please contact ABRACON for more information.
2. ABRACON will supply the parts in accordance with this specification unless we receive a written request to modify prior to an order placement.
3. In no case shall ABRACON be liable for any product failure from in appropriate handling or operation of the item beyond the scope of this specification.
4. When changing your production process, please notify ABRACON immediately.
5. ABRACON LLC's products are COTS – Commercial-Off-The-Shelf products; suitable for Commercial, Industrial and, where designated, Automotive Applications. ABRACON's products are not specifically designed for Military, Aviation, Aerospace, Life- dependent Medical applications or any application requiring high reliability where component failure could result in loss of life and/or property. For applications requiring high reliability and/or presenting an extreme operating environment, written consent and authorization from ABRACON LLC is required. Please contact ABRACON LLC for more information.
6. All specifications and Marking will be subject to change without notice.

REVISED: 09/26/2016