

C0402JB0J472K020BC

TDK Item Description : C0402JB0J472KT****

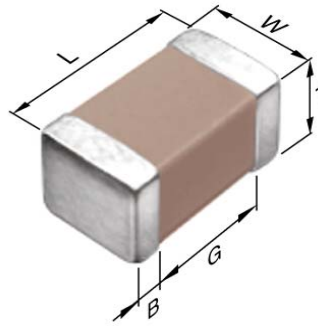


Application & Main Feature

Commercial Grade (General (Up to 50V))

Series

C0402 [EIA CC01005]



Dimensions

L 0.40mm +/-0.02mm
 W 0.20mm +/-0.02mm
 T 0.20mm +/-0.02mm
 B 0.07mm Min.
 G 0.14mm Min.

Temperature Characteristic

JB (-25 to 85 degC +/-10%)

Rated Voltage

0J (6.3Vdc)

Capacitance

4.7nF

Capacitance Tolerance

K (+/-10%)

Dissipation Factor

10% Max.

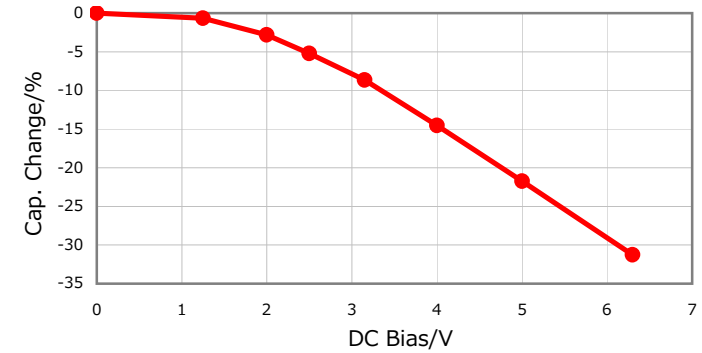
Insulation Resistance

10Gohm Min.

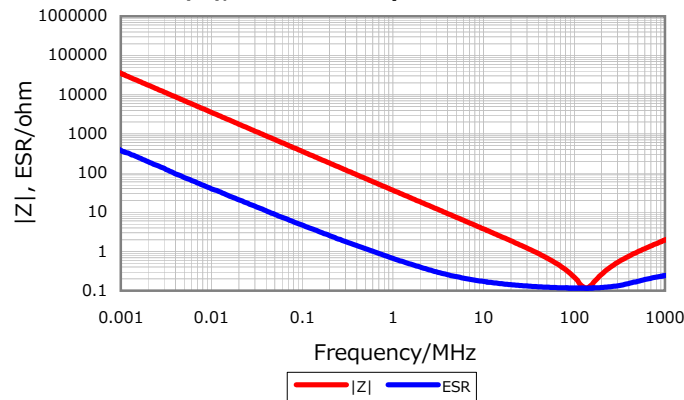
AEC-Q200

Not Applicable

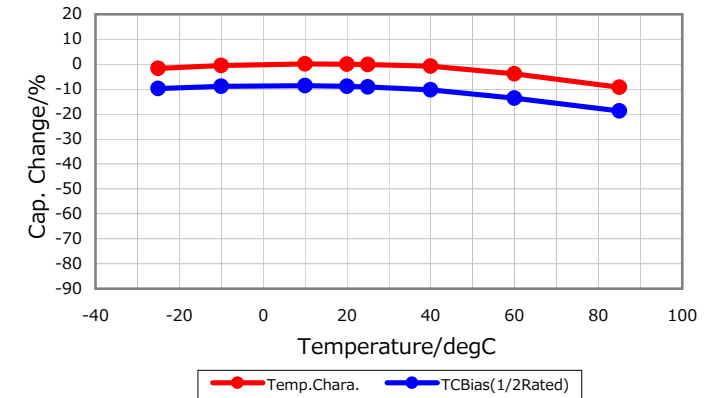
DC Bias Characteristic



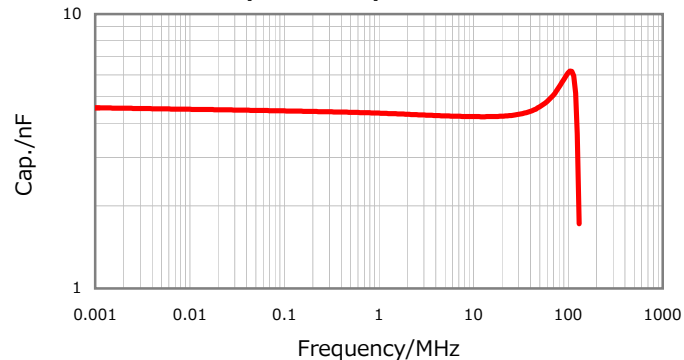
|Z|, ESR vs. Freq. Characteristics



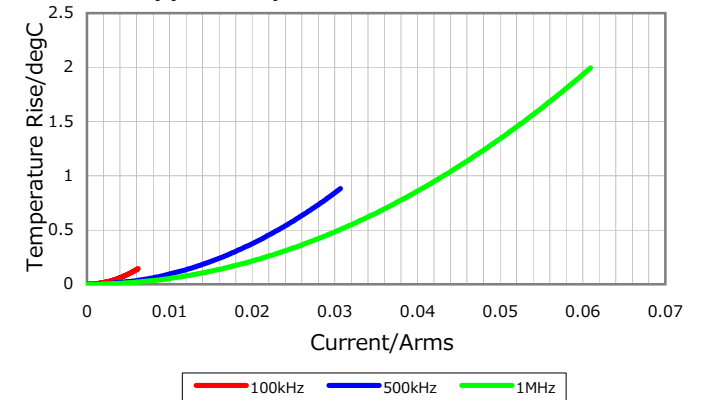
Temperature Characteristics



Cap. vs. Freq. Characteristic



Ripple Temperature Rise Characteristics



Characterization Sheet (Multilayer Ceramic Chip Capacitors)



All specifications are subject to change without notice.

January 2, 2016