

Minimum wall thickness 1,5mm,  
alternativ panel cut-out d=16,1

**Technical specification:**

Rated voltage: IEC 61076-2-101	250 V
Current rating: IEC 61076-2-101	4 A at 40°C
Insulation resistance: IEC 60512	>=100 MΩ
Pollution degree: IEC 60664-1	3/2
Degree of protection: IEC 60529	IP 67, in mated condition
Temperature range:	-30°C ... +85°C
Mating cycles: IEC 60512-9a	>=100

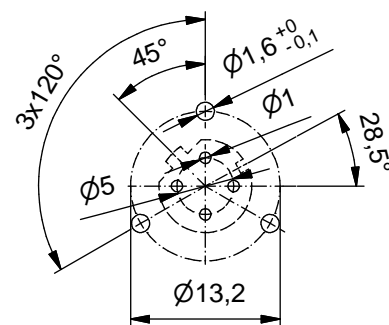
**Materials:**

Contact:	CuZn
Contact plating:	Nickel, gold plated
Contact carrier:	PBT GF, UL 94
Sealing connector: chassis:	FPM NBR
Counternut:	CuZn, nickel plated
Socket housing:	CuZn, nickel plated
Grouting:	Polyurethane-resin, UL 94

**Installation specification:**

Recommended torque:	1-1,2 Nm
Conec installation tool:	Torque wrench: 36-000200 Insert across flats 19: 36-000250

**Pin layout PCB**



Part no:	Description:	Pos	Length L:
43-01690	SAL - 12D - FKH4 - P6,75	4	6,75mm

title: <b>Female socket M12x1 with dip solder shielded, backmounting, Industrial Ethernet</b>	
dwg no: <b>43K1A1198</b>	
part no:	see table

DO NOT ALTER CAD DRAWING BY HAND Directive 2002/95/EC RoHS compliant	Index: a 02.01.13 MG Ä4555 Data sheet revised, technical specification changed, materials corrected	
	dim. in mm	
	date	name
	drawn 29.09.10	Franz
appd. 21.09.10	Schmidt	
general tolerance:	0 ± 0,50mm	
	0,0 ± 0,25mm	
	0,00 ± 0,10mm	
THIS DRAWING MAY NOT BE COPIED OR REPRODUCED IN ANY WAY, AND MAY NOT BE PASSED ON TO A THIRD PARTY WITHOUT WRITTEN PERMISSION. OWNERSHIP AND COPYRIGHT OF CONEC GmbH		

