



PRODUCT DATASHEET

Leila series

last update 23/7/2012

DETAILS

Product Number	CA12666_LXB2-M
Family	Leila
Type	Assembly
Color	black
Diameter	21,6 mm
Height	14,6 mm
Style	round
Optic Material	PMMA
Holder Material	
Fastening	tape
Status	production ready
ROHS Compliant	Yes
Date Updated	23/07/2012



OPTICAL PROPERTIES

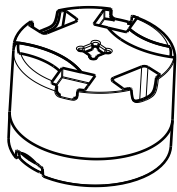
LED	Viewing Angle	Light Beam	Efficiency	cd/lm	Connector
XB-D	22 deg	Medium	81 %	4.590	-
XB-H	23 deg	Medium	85 %	4.100	-

D

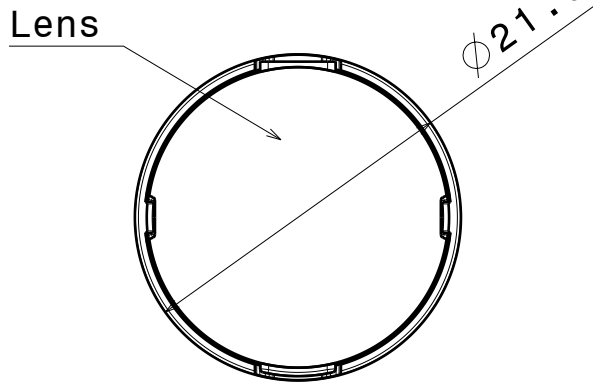
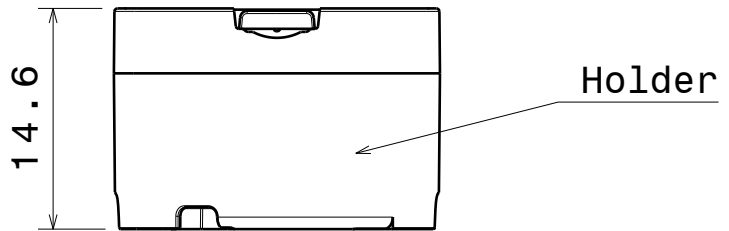
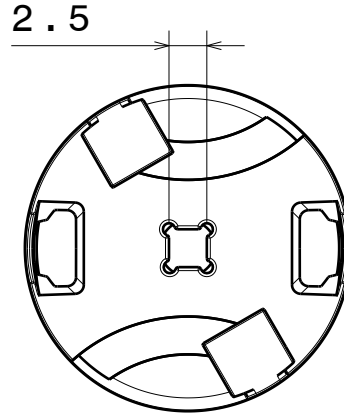
C

B

A



Isometric view
Scale: 1:1



Materials:
Lens PMMA
Holder PC, Black

Tolerances for dimensions:
0-20mm tolerance value $\pm 0.1\text{mm}$
21-45mm tolerance value $\pm 0.2\text{mm}$
46-90mm tolerance value $\pm 0.3\text{mm}$
91-100mm tolerance value $\pm 0.4\text{mm}$
101-mm tolerance value $\pm 0.5\text{mm}$

This drawing is our property.
It can't be reproduced
or communicated without
our written agreement.



Ledil Oy
Salorankatu 10
FIN 24240 SALO
Finland

DRAWING TITLE

Datasheet LXB3 Glue Assy

DRAWN BY pv	DATE 11.04.2012
----------------	--------------------

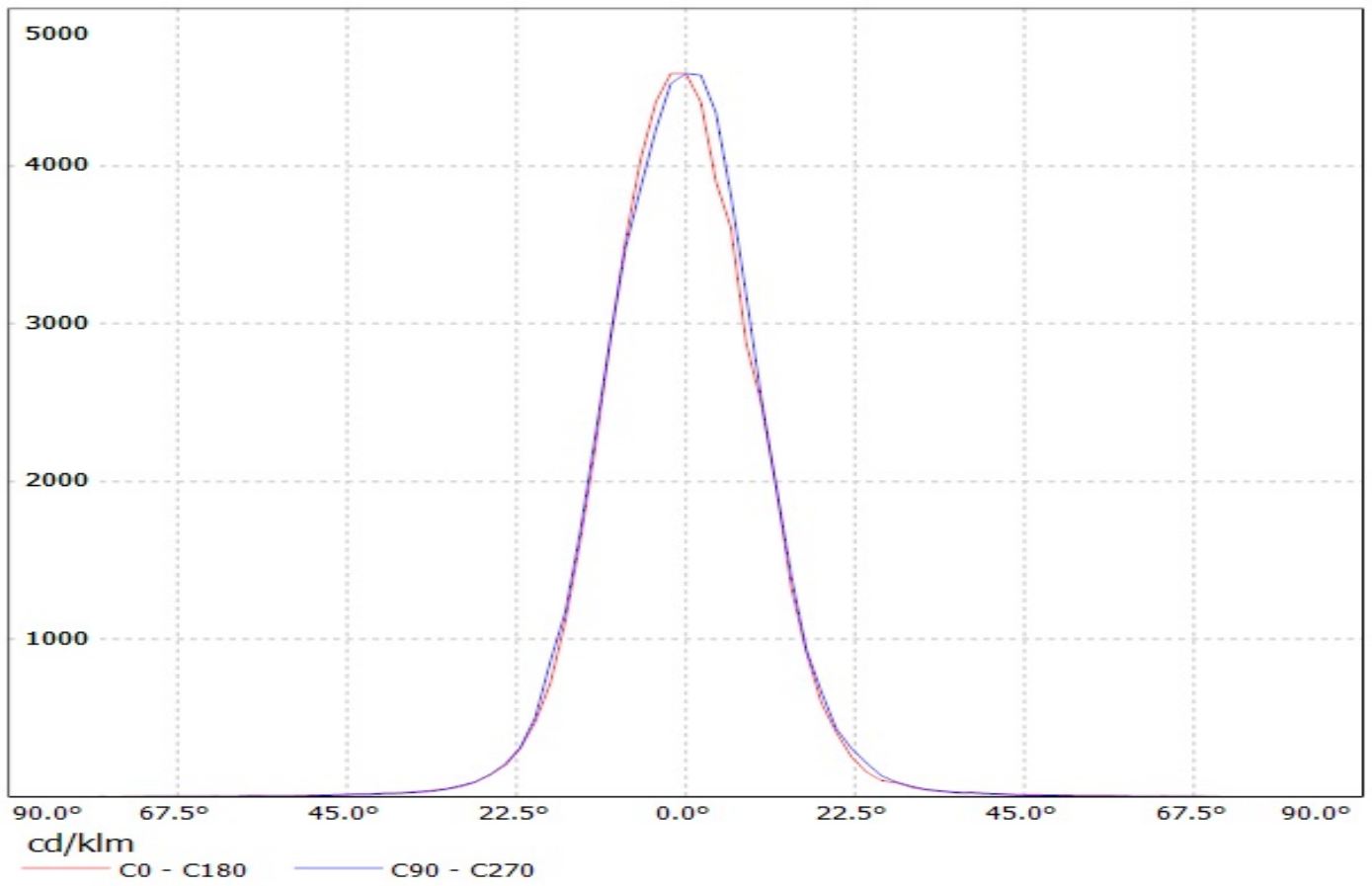
CHECKED BY sn	DATE 19.01.2012
------------------	--------------------

DESIGNED BY pv	DATE 19.01.2012
-------------------	--------------------

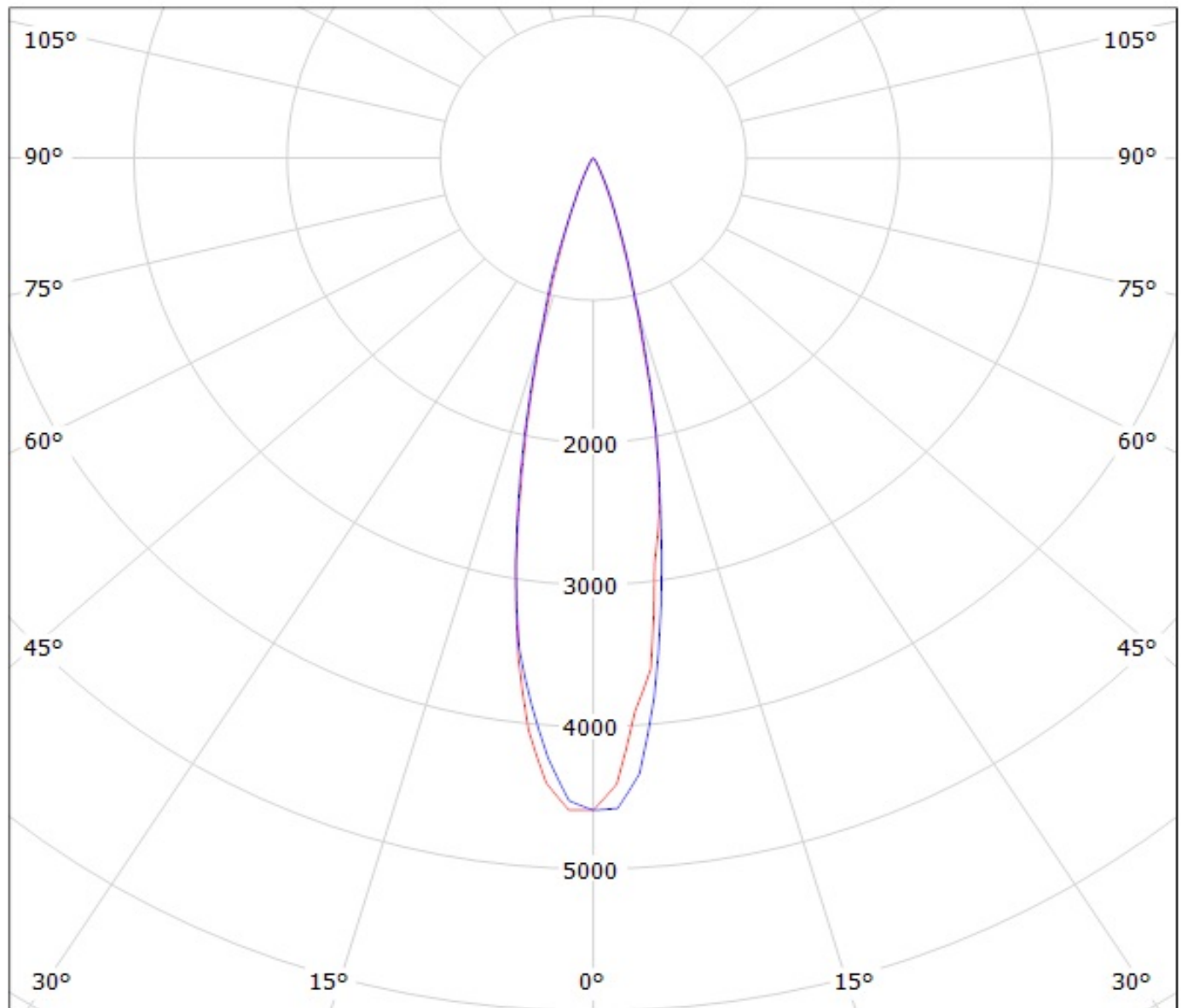
SIZE A4	DRAWING NUMBER -	REV 1
SCALE 2:1	WEIGHT (g)	SHEET 1/1

A

Luminaire: Ledil Oy CP12669_LXB3-M (Cree XB-D 84lm @ 250mA) LOR=81%
Lamps: 1 x Cree XB-D 84lm @ 250mA



Luminaire: Ledil Oy CP12669_LXB3-M (Cree XB-D 84lm @ 250mA) LOR=81%
Lamps: 1 x Cree XB-D 84lm @ 250mA



cd/klm

— C0 - C180

— C90 - C270

NOTE: The typical divergence will be changed by different color, chip size and chip position tolerance. The typical total divergence is the full angle measured where the luminous intensity is half of the peak value.