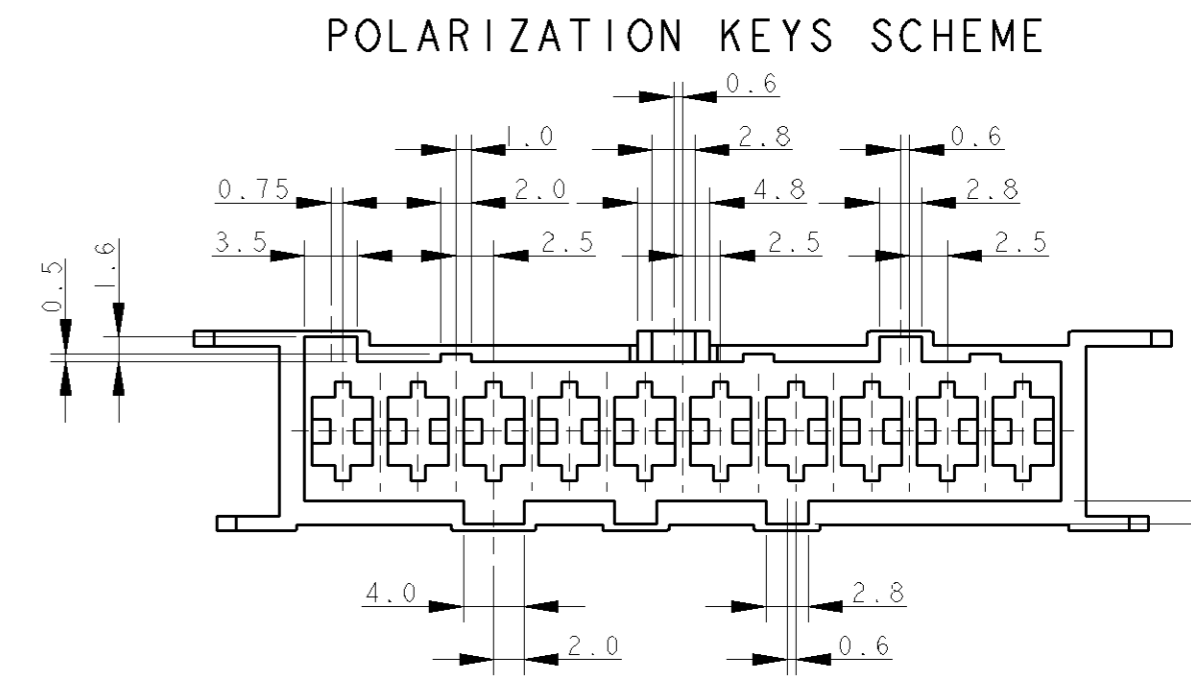
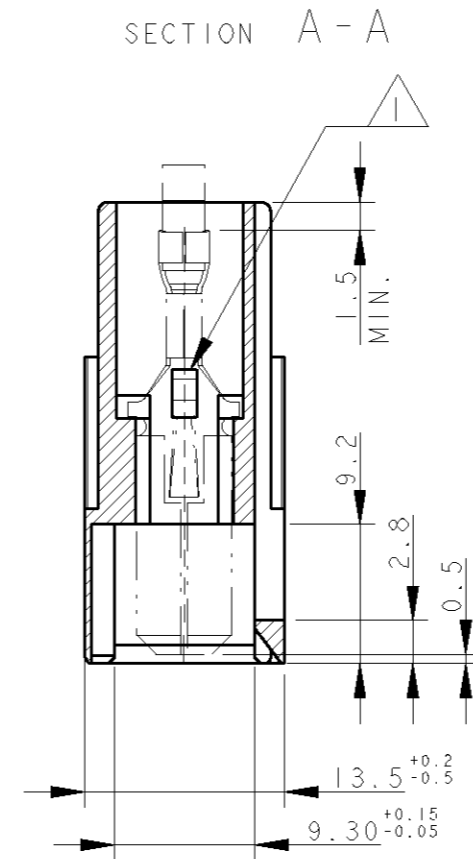
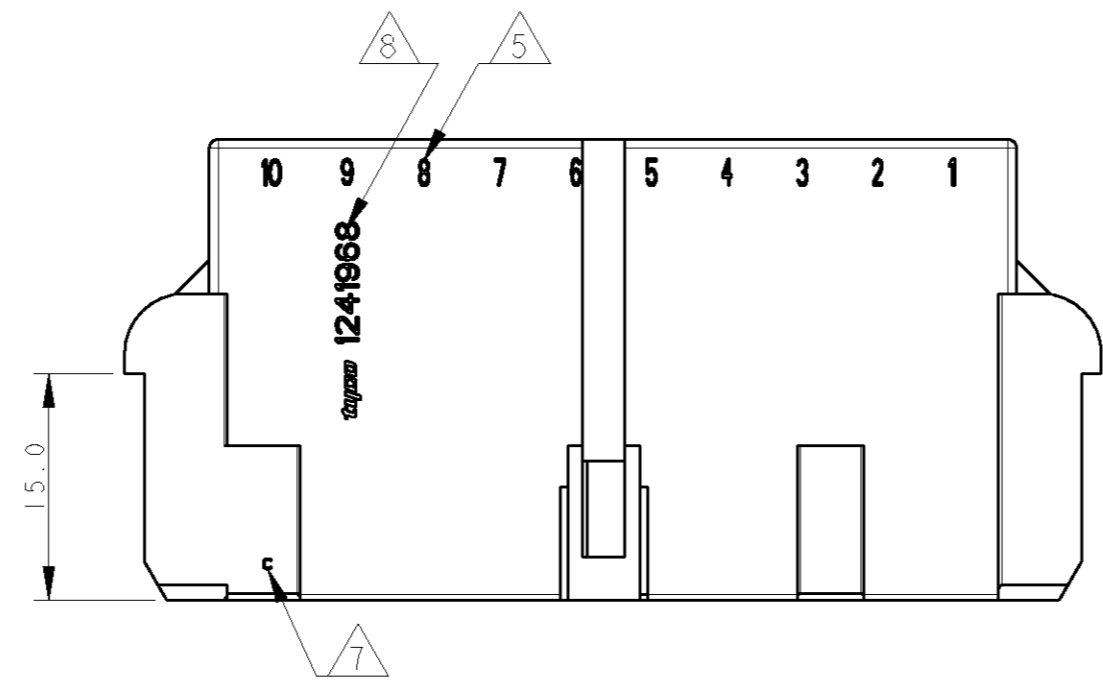
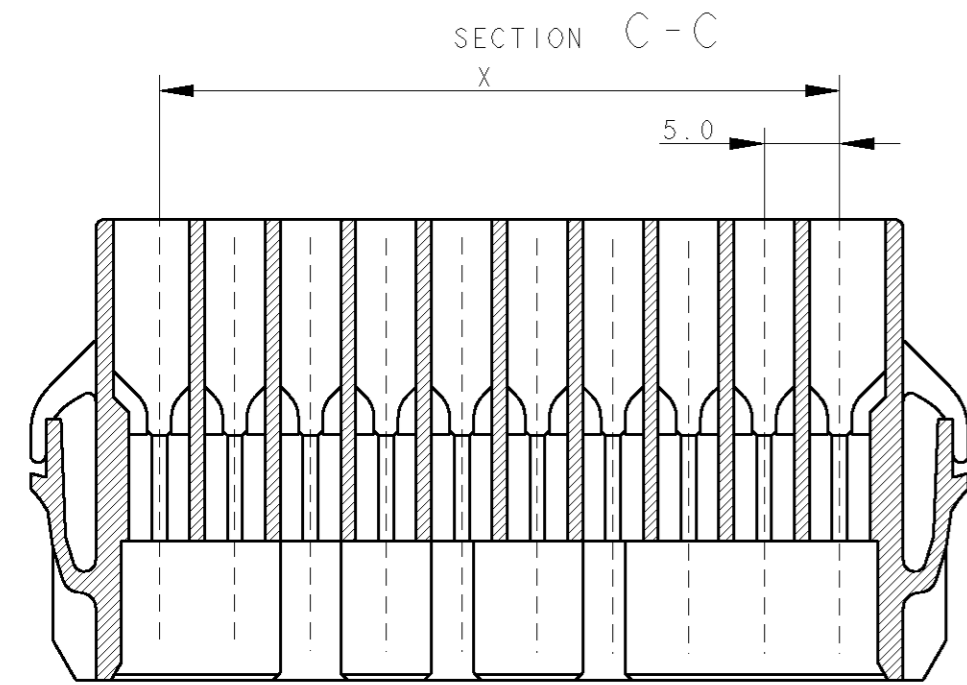
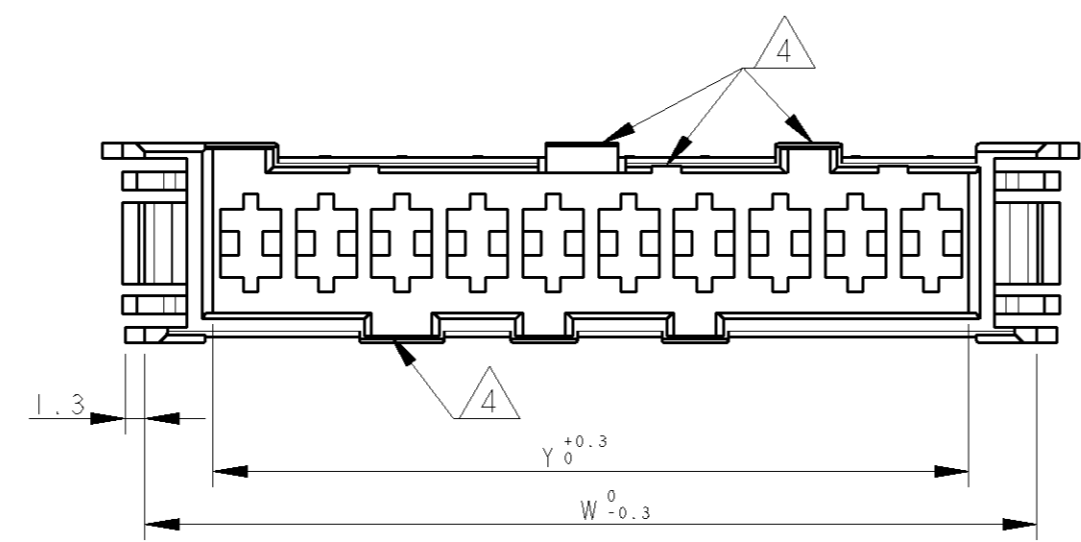
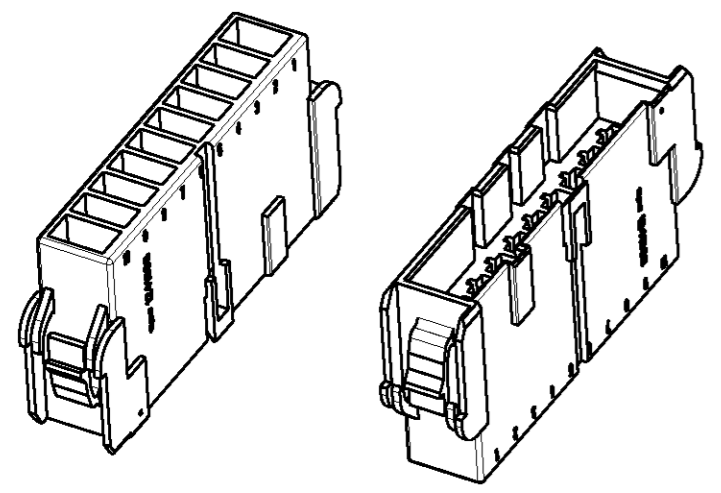


THIS DRAWING IS UNPUBLISHED. RELEASED FOR PUBLICATION 2003
 © COPYRIGHT 2003 BY TYCO ELECTRONICS CORPORATION. ALL RIGHTS RESERVED.

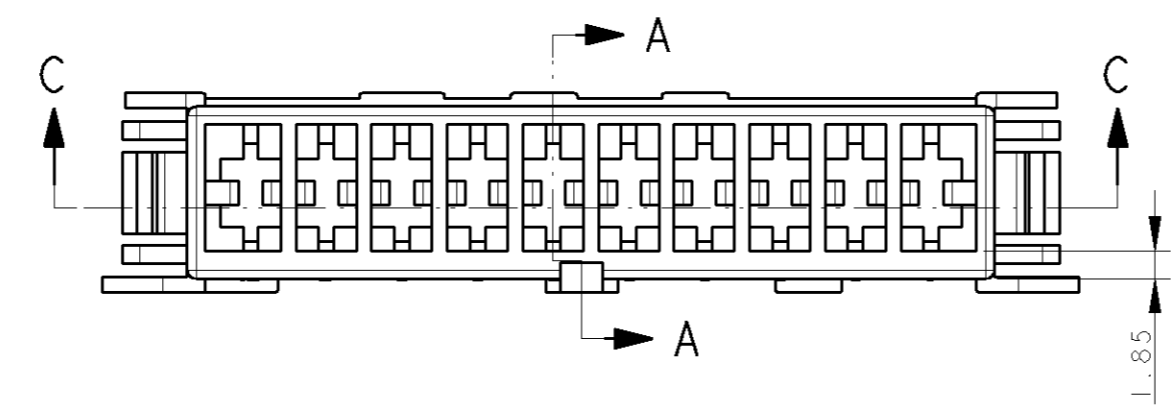
LOC		DIST		REVISIONS			
P	LTR	DESCRIPTION	DATE	DWN	APVD		
	B	REDRAWN, ECR-05-009400.	22AUG2005	HY	GT		



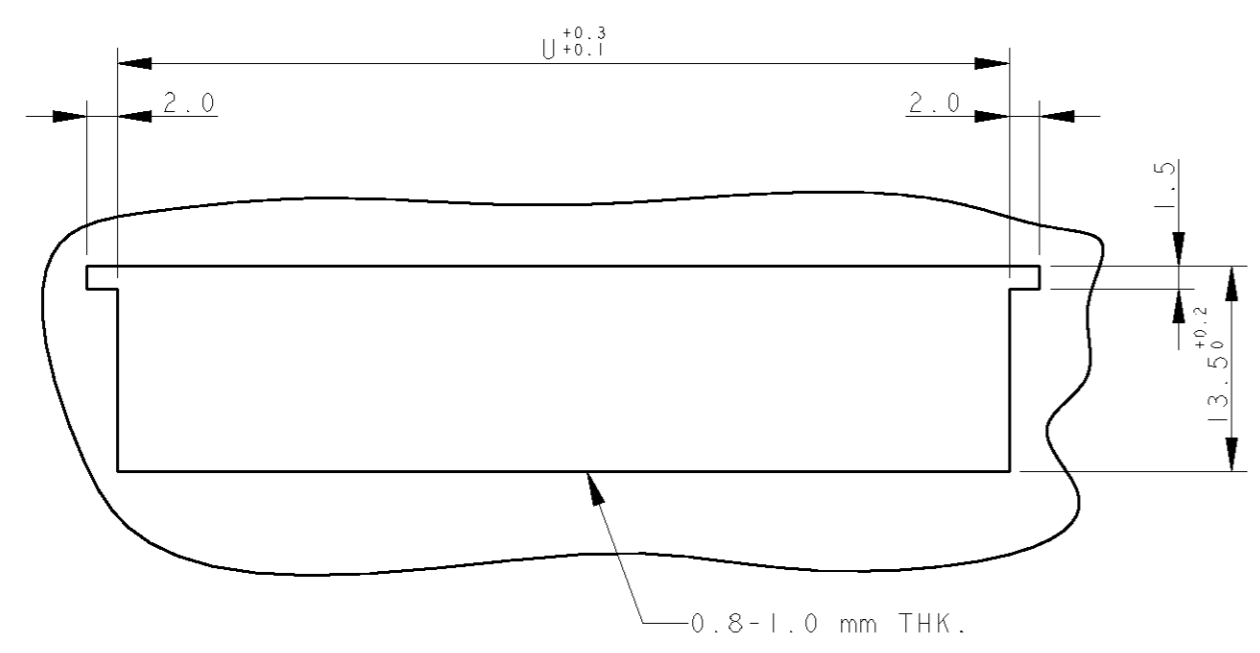
- 1 TYPICAL CAVITY SUITABLE FOR:
FASTIN-FASTON TAB CONTACTS 6.3 mm SRS:
P/N: 60294, 0.3-0.8 mm² WIRE RANGE
160691, 0.3-0.8 mm² WIRE RANGE
AMPLIVAR CONTACTS:
P/N: 141051, 0.1-0.5 mm² WIRE RANGE
142411, 0.3-1.6 mm² WIRE RANGE
MAX. INSULATION DIA. 2.8 mm,
MAX. INSULATION CRIMP WIDTH 3.3 mm.
- 2 TYCO TRADEMARK "LOGO" AND TYCO ELECTRONICS "PART NUMBER" OPTIONAL POSITION.
- 3 CIRCUIT IDENTIFICATION NUMBERS.
- 4 POLARIZATION KEYS DIMENSIONS AND POSITIONS ARE ACCORDING TO "RAST 5" NORM
- 5 PA UNFILLED, UL 94-V2, ACCORDING TO IEC 60335-1 NORM.
- 6 PA UNFILLED, UL 94-V2



SCALE 1:1



PANEL CUT DIMENSIONS



12	69.0	69.0	55.0	60.0	-	-	-	-	-
11	64.0	64.0	50.0	55.0	-	-	-	-	-
10	59.0	59.0	45.0	50.0	1-1241968-5	1-928344-0	SEE NOTE 5	NATUR	B
10	59.0	59.0	45.0	50.0	1-1241968-0	1-928344-0	SEE NOTE 6	NATUR	B
9	54.0	54.0	40.0	45.0	-	-	-	-	-
8	49.0	49.0	35.0	40.0	-	-	-	-	-
6	39.0	39.0	25.0	30.0	-	-	-	-	-
5	34.0	34.0	20.0	25.2	-	-	-	-	-
4	29.0	29.0	15.0	20.2	-	-	-	-	-
3	24.0	24.0	10.0	15.2	-	-	-	-	-
2	19.0	19.0	5.0	10.2	-	-	-	-	-
POS.	U	W	X	Y	P/N	STAND. TIMER	MATERIAL	COLOUR	REV.

PARTS LIST

THIS DRAWING IS A CONTROLLED DOCUMENT FOR TYCO ELECTRONICS CORPORATION. IT IS SUBJECT TO CHANGE AND THE CONTROLLING ENGINEERING ORGANIZATION SHOULD BE CONTACTED FOR THE LATEST REVISION.		DWN H. YAALI 22AUG2005	tyco Electronics AMP Italia S.p.A. C.so F.lli Cervi, 15 COLLENO (TO)	
DIMENSIONS: mm		CHK G. TURCO	NAME 2-12 POS. FASTIN-FASTON* Connectors TAB HOUSING, RAST 5 PANEL MOUNT VERSION	
TOLERANCES UNLESS OTHERWISE SPECIFIED:		APVD -	SIZE A2	
0 PLC ± 1 PLC ±0.2 2 PLC ± 3 PLC ± 4 PLC ±		PRODUCT SPEC -	CAGE CODE 00779	
ANGLES ±°		APPLICATION SPEC -	DRAWING NO. G-1241968	
FINISH		WEIGHT -	RESTRICTED TO -	
SEE TABLE		CUSTOMER DRAWING	SCALE 2:1 SHEET 1 OF 1 REV B	