

4832, PCB terminals, insulated, 2-pole, Audio Plug/Sockets, 3.5 mm



Description

- PCB Mounting :
Drop-in type , from rear-side
- Audio entrances and exits
- Data and Signal transfer
- Audio Plug: 2-pole , insulated , straight

References

Alternative: Housing shielded [4832.2220](#)

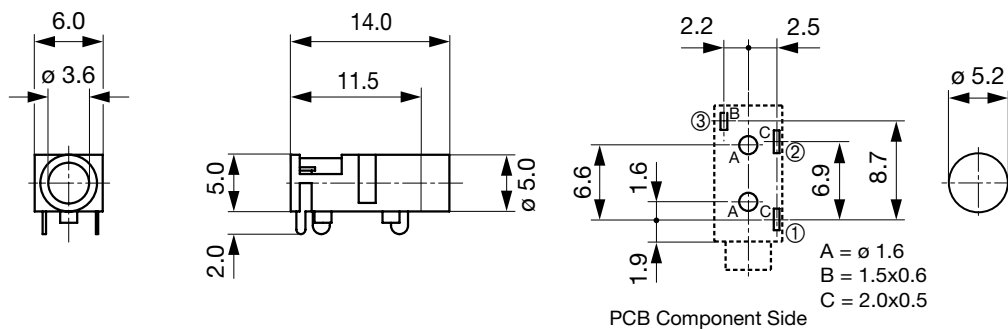
Technical Data

Diameter	3.5 mm
Number of Poles	2-pole
Ratings DC	0.5 A / 30 VDC
Ratings AC	0.5 A / 30 VAC
Dielectric Strength	500 VDC
Insulation Resistance	> 100 MΩ @ 500 VDC

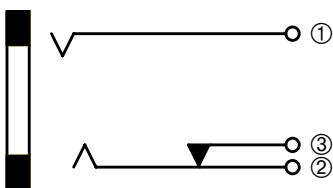
Allowable Operation Temperature	-20 °C to 70 °C
Terminal	PCB terminals silver plated
Mounting	Drop-in type
Housings	insulated
Style	straight
Lifetime	5000 Insertions

Detailed information on product approvals, code requirements, usage instructions and detailed test conditions can be looked up in [General Product Information](#)

Dimensions



Diagrams



All Variants

Product group	Diameter [mm]	Number of Poles	Terminal	Order Number
Audio Plug/Sockets	3.5	2-pole	PCB terminals	4832.2230

Most Popular.

Availability for all products can be searched real-time: <http://www.schurter.com/en/Stock-Check/Stock-Check-SCHURTER>

Packaging unit 1000 Pcs

Mating Inlets/Plugs

Category / Description

[Audio Plug/Sockets Overview complete](#)



4832, solder terminal, screened, 2-pole, Audio Plug/Sockets, 3.5 mm	4832.1200
4832, solder terminal, insulated, 2-pole, Audio Plug/Sockets, 3.5 mm	4832.1211
4832, solder terminal, insulated, 2-pole, Audio Plug/Sockets, 3.5 mm	4832.1220

[Audio Plug/Sockets further types to 4832.2230](#)