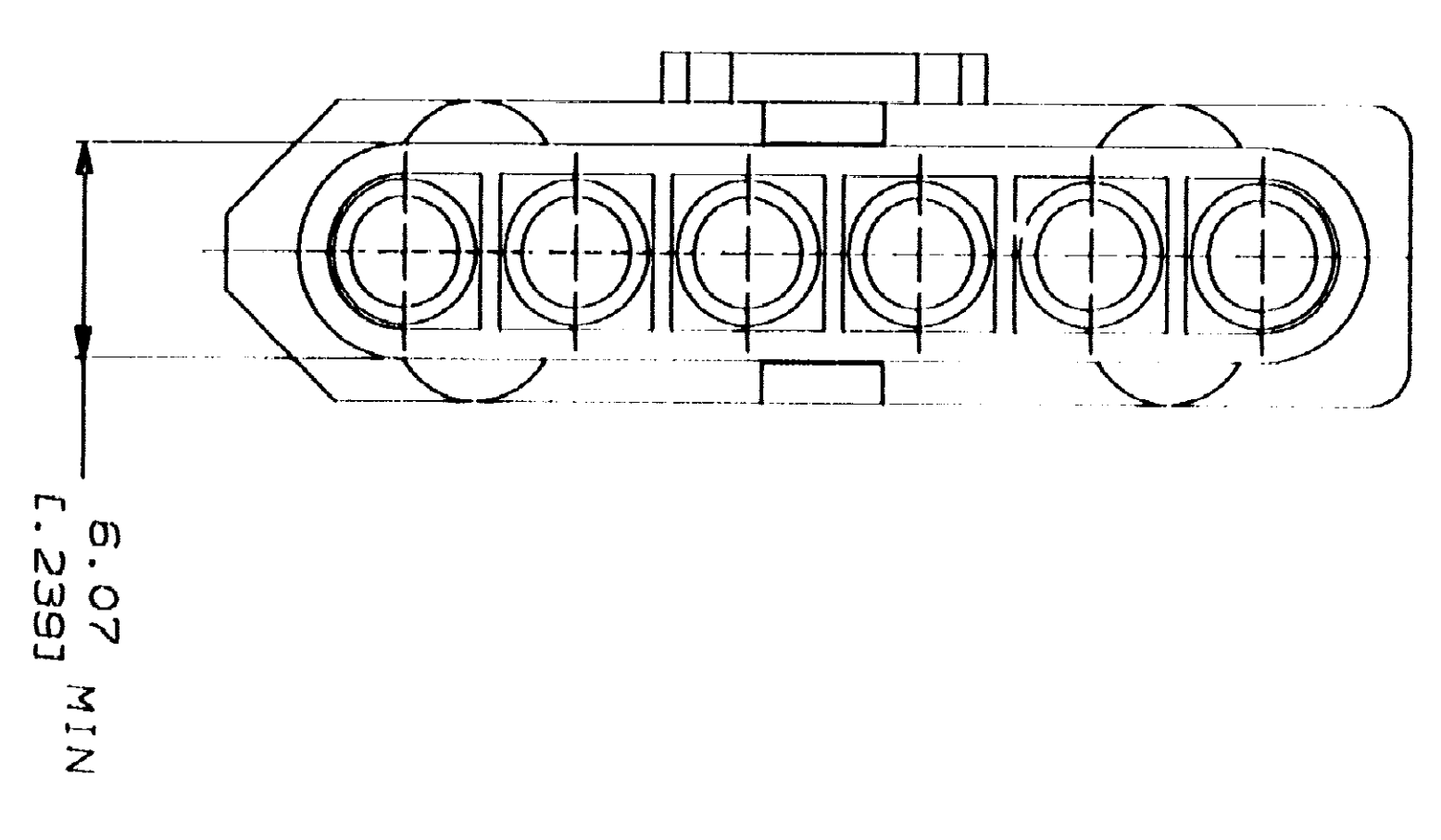
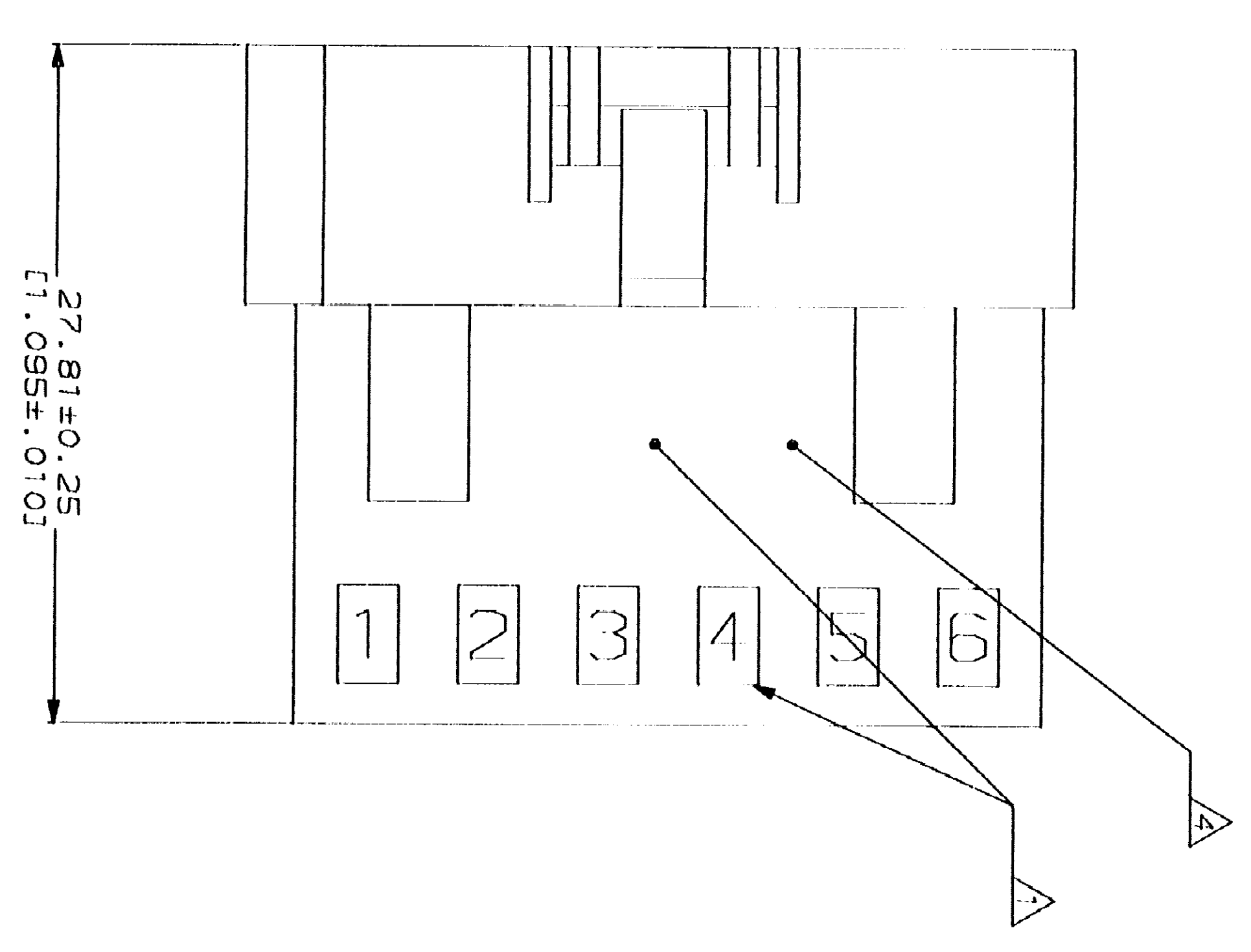
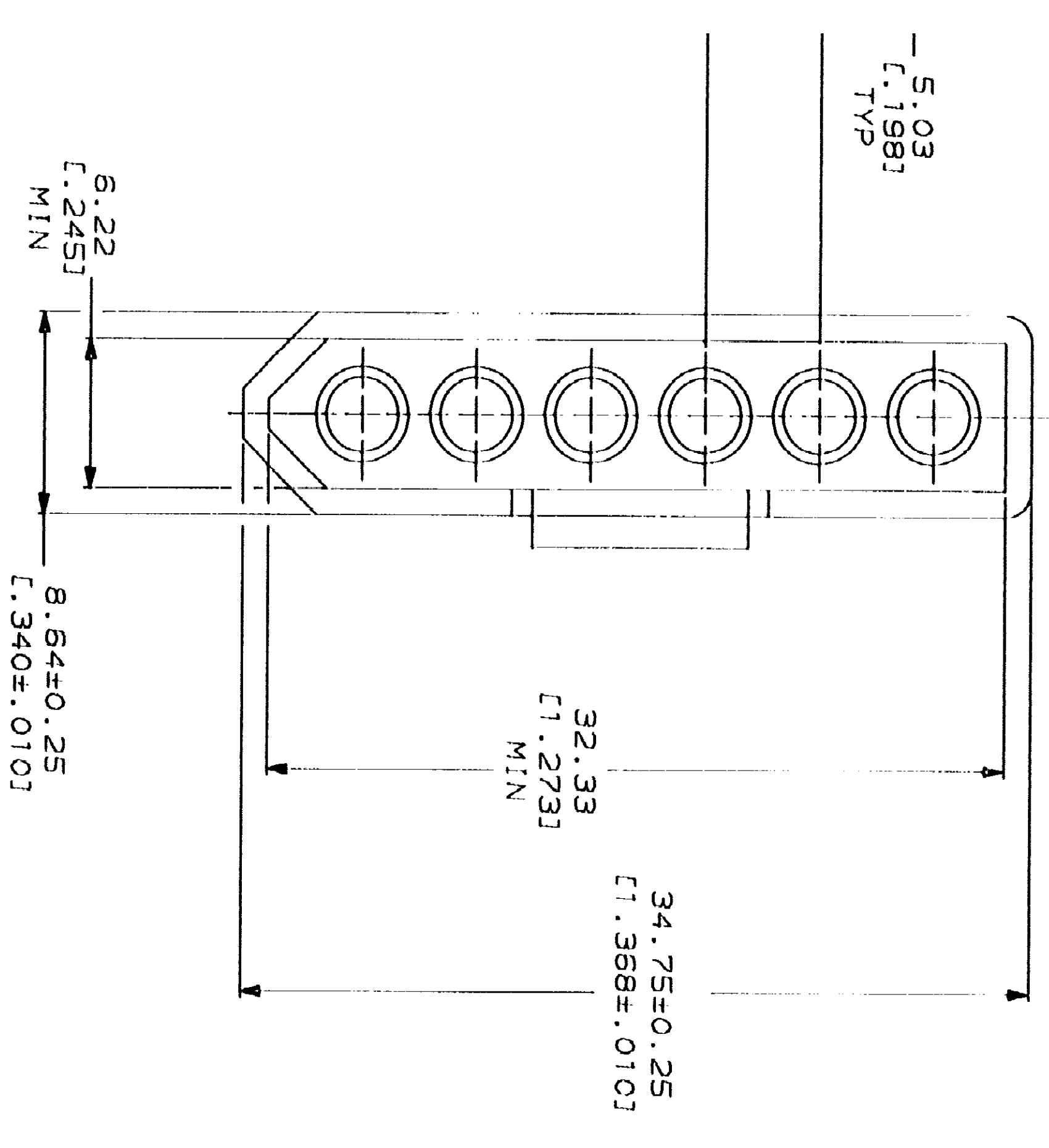
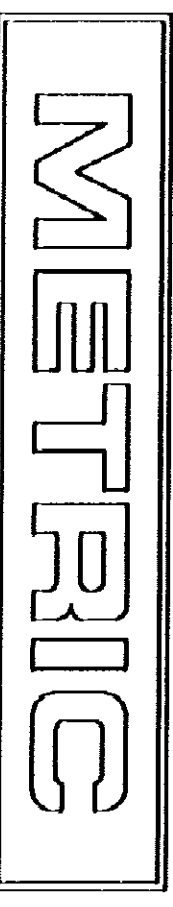
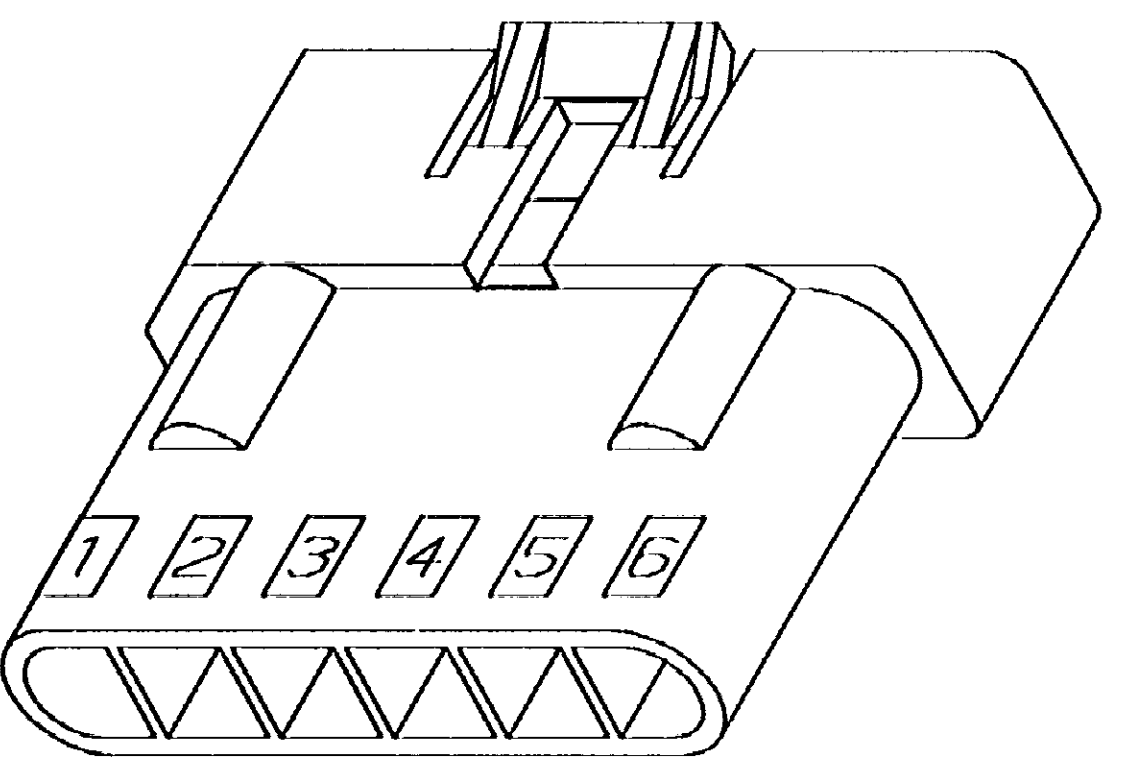


- ▲ AMP LOGO AND CIRCUIT NUMBERS LOCATED APPROXIMATELY AS SHOWN.
- 3. DIMENSIONS IN BRACKETS ARE IN INCHES.
- ▲ MARKING FOR UL LOGO AND CSA LOGO LOCATED APPROXIMATELY AS SHOWN ON SIDE OPPOSITE OF CIRCUIT NUMBERS.



3 DIMENSIONAL MODEL



DO NOT SCALE PRINT. UNLESS SPECIFIED DIMENSIONS IN INCHES DIMENSIONS IN MILLIMETERS 2 PLG DEC # 0.13 (0.05) 3 PLG DEC # 0.13 (0.05) ANGLES MATERIAL	DR 2-6-92 K. SALMON CHK 2-6-92 R. SWING APPD 2-6-92 G. BROWN APPD 2-6-92 G. BROWN PRODUCT SPEC	NAME PLUG, POSITIVE L 6 CIRCUIT, COMMERCIAL PIN & C
NYLON, UL 94V-2 NATURAL	FINISH -	SIZE FSCN NO 00779
	APPLICATION SPEC HEIGHT	DRAWING NO 77084
		SCALE 4:1