

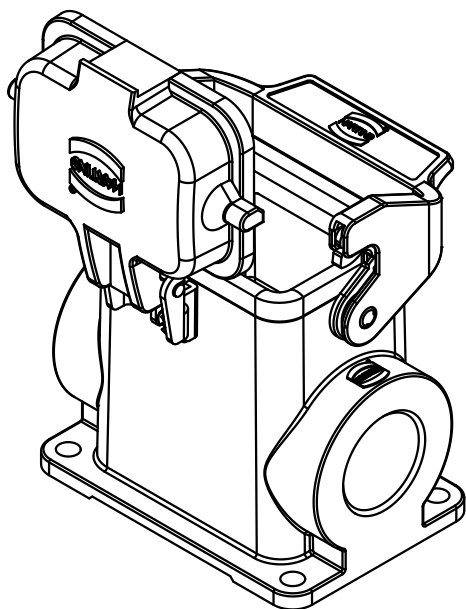
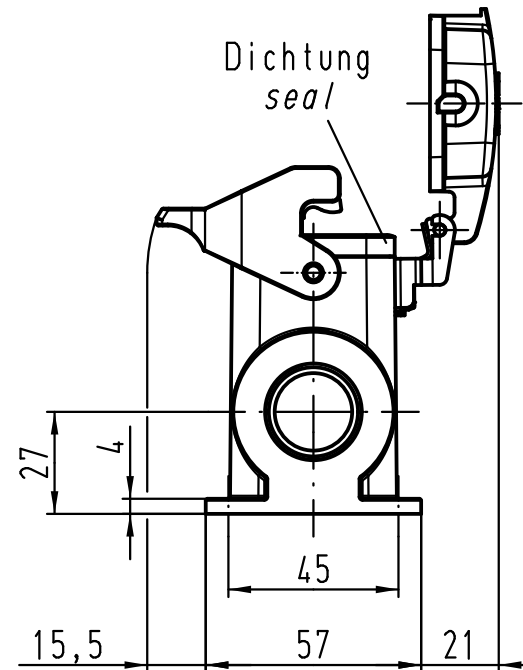
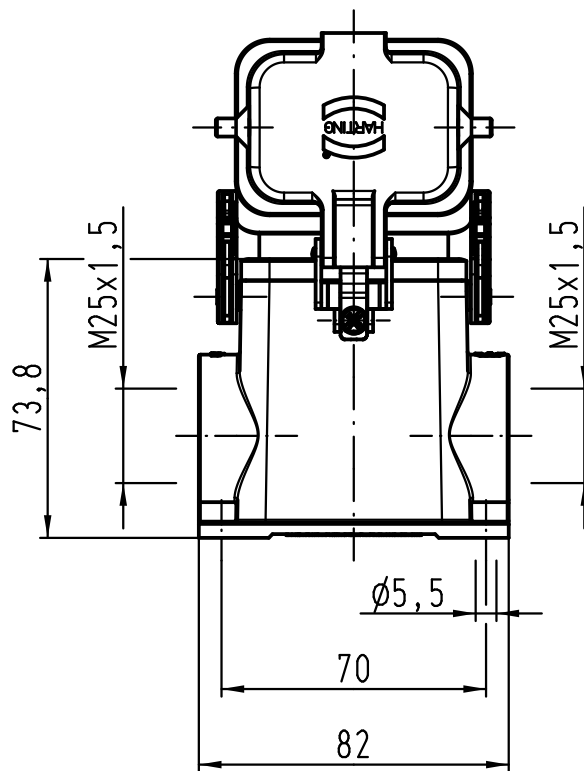
1 2 3 4 5 6

A

B

C

D



| | | | | | | |
|------|----------|-------------------|--------------------------------|------|---|---|
| | | Techn. Character. | | | Nicht tolerierte Maß/Free size tolerances | |
| | | | Dat. | Name | Maßstab/Scale 1:2 | Han 6B-asg2-LB-K-M25 Sockelgehäuse housing surface mounting |
| | | Detail. | 29.04.09 | ML | | |
| | | Insp. | | Sch | | |
| | | Stand. | | | | |
| B | 06.04.11 | Spr | HARTING Electric GmbH & Co. KG | | | TB 19 30 006 0296 |
| A | | | D-32339 Espelkamp | | | |
| Mod. | Dat. | Name | | | | Blatt/page Sub. TB 19 30 006 0296 v. 28.03.03 |