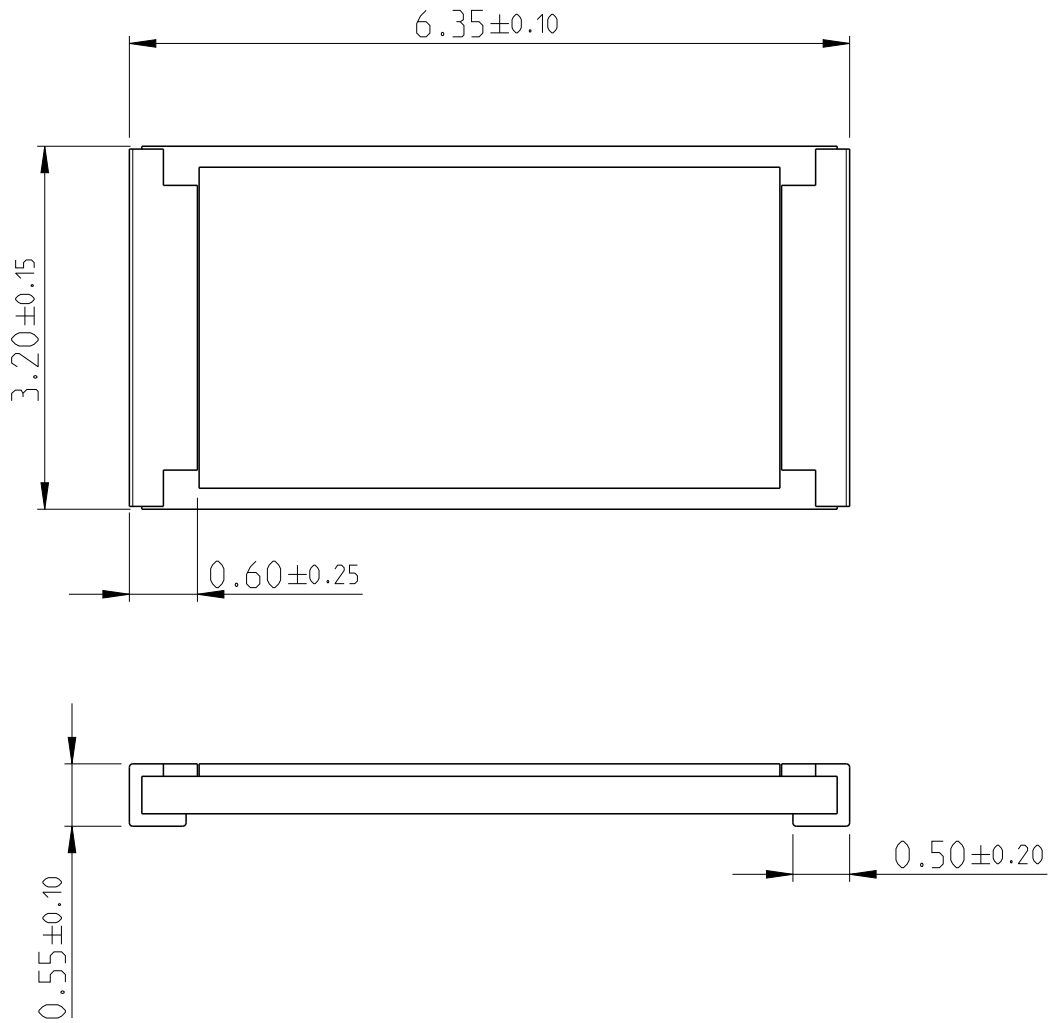
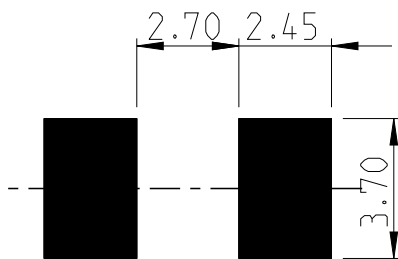


LOC	DIST	REVISIONS					
-	-	P	LTR	DESCRIPTION	DATE	DWN	APVD
		BC		ECR-16-000788	18JAN2016	KR	TN

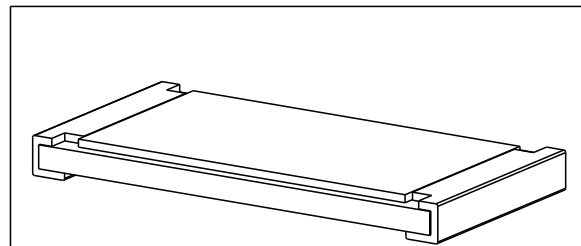


FOR FURTHER INFORMATION SEE PRODUCT SPECIFICATION FOR CRGH SERIES

RoHS Compliant



PCB LAYOUT PLAN



20



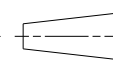
RELEASED FOR PUBLICATION

ALL RIGHTS RESERVED.

THIS DRAWING IS UNPUBLISHED.

BY -

© COPYRIGHT 20

DIMENSIONS: mm	DWN RAGHAVENDRA K 27JUN2012	MATERIAL	FINISH
TOLERANCES UNLESS OTHERWISE SPECIFIED:	CHK ALLAN P 27JUN2012	 TE Connectivity	
0 PLC ±	APVD TONY N 27JUN2012		
1 PLC ±0.5	PRODUCT SPEC	NAME SMD POWER RESISTORS - TYPE CRGH2512 SERIES	
2 PLC ±0.13	APPLICATION SPEC	SIZE	RESTRICTED TO
3 PLC ±0.013		CAGE CODE	
4 PLC ±0.0001		DRAWING NO	
ANGLES ±	WEIGHT	$A4$	
	Customer Drawing	$C=1879527$	
		SCALE	SHEET
		40:1	1 OF 1
			REV BC