



PRODUCT DATASHEET

Leila series

last update 3/3/2016

DETAILS

Product Number	CA11138_LC2-M
Family	Leila
Type	Assembly
Color	white
Diameter	21,6 mm
Height	16,5 mm
Style	round
Optic Material	PMMA
Holder Material	
Fastening	glue
Status	production ready
ROHS Compliant	Yes
Date Updated	3/03/2016



OPTICAL PROPERTIES

	Viewing	Light	Effi-		
LED	Angle	Beam	ciency	cd/lm	Connector
XR-E	26 deg	Medium	sim: 93 %	sim: 4.000	-

D

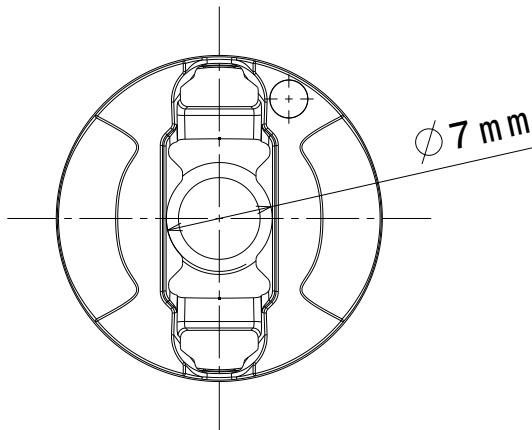
C

B

A

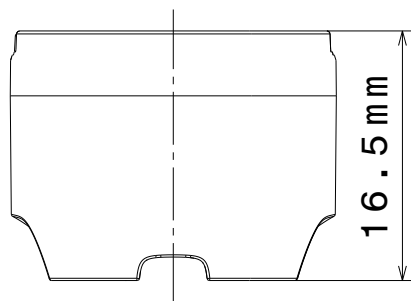
4

4



3

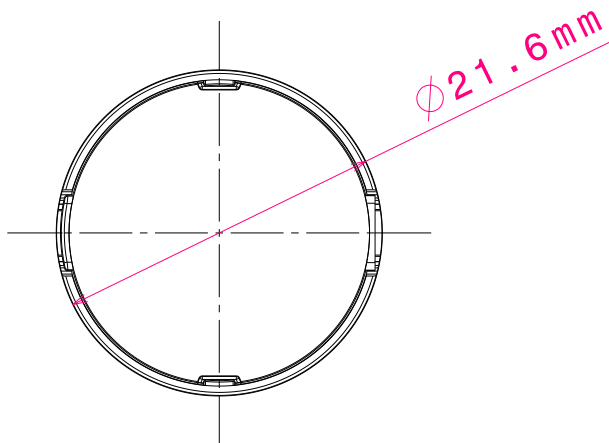
3



2

2

Materials:
 Lens PMMA
 Holder PC



This drawing is our property.
 It can't be reproduced
 or communicated without
 our written agreement.



L
T
F
F

e
e
i
i
N
n

d
h

DRAWING TITLE

Datasheet LC2-Series Assy

DRAWN BY

DATE

26.03.2010

CHECKED BY

DATE

29.04.2009

DESIGNED BY

HH

DATE

21.02.2008

SIZE

A4

DRAWING NUMBER

REV

1

SCALE

2:1

WEIGHT (g)

SHEET

1/1

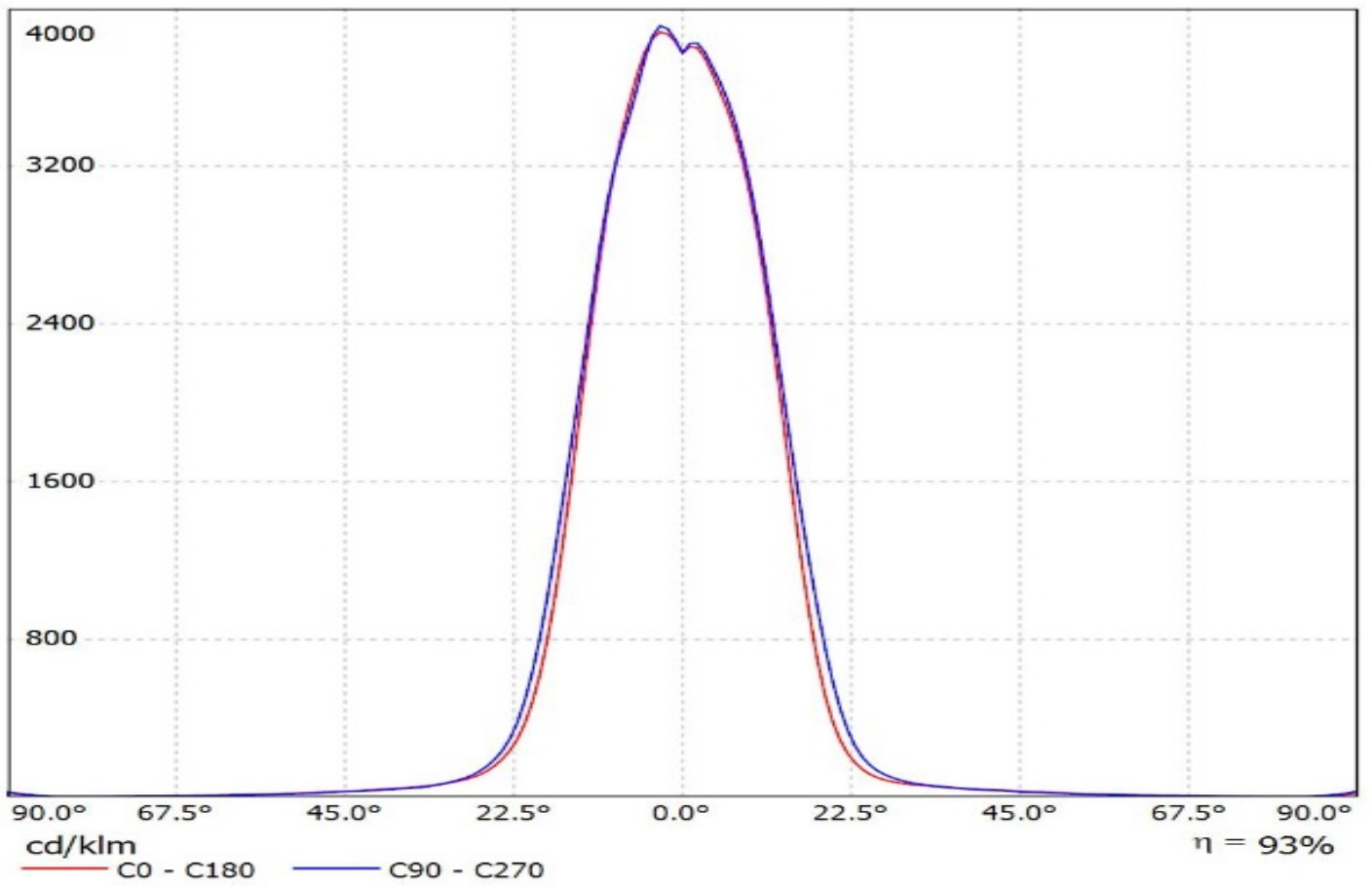
D

A

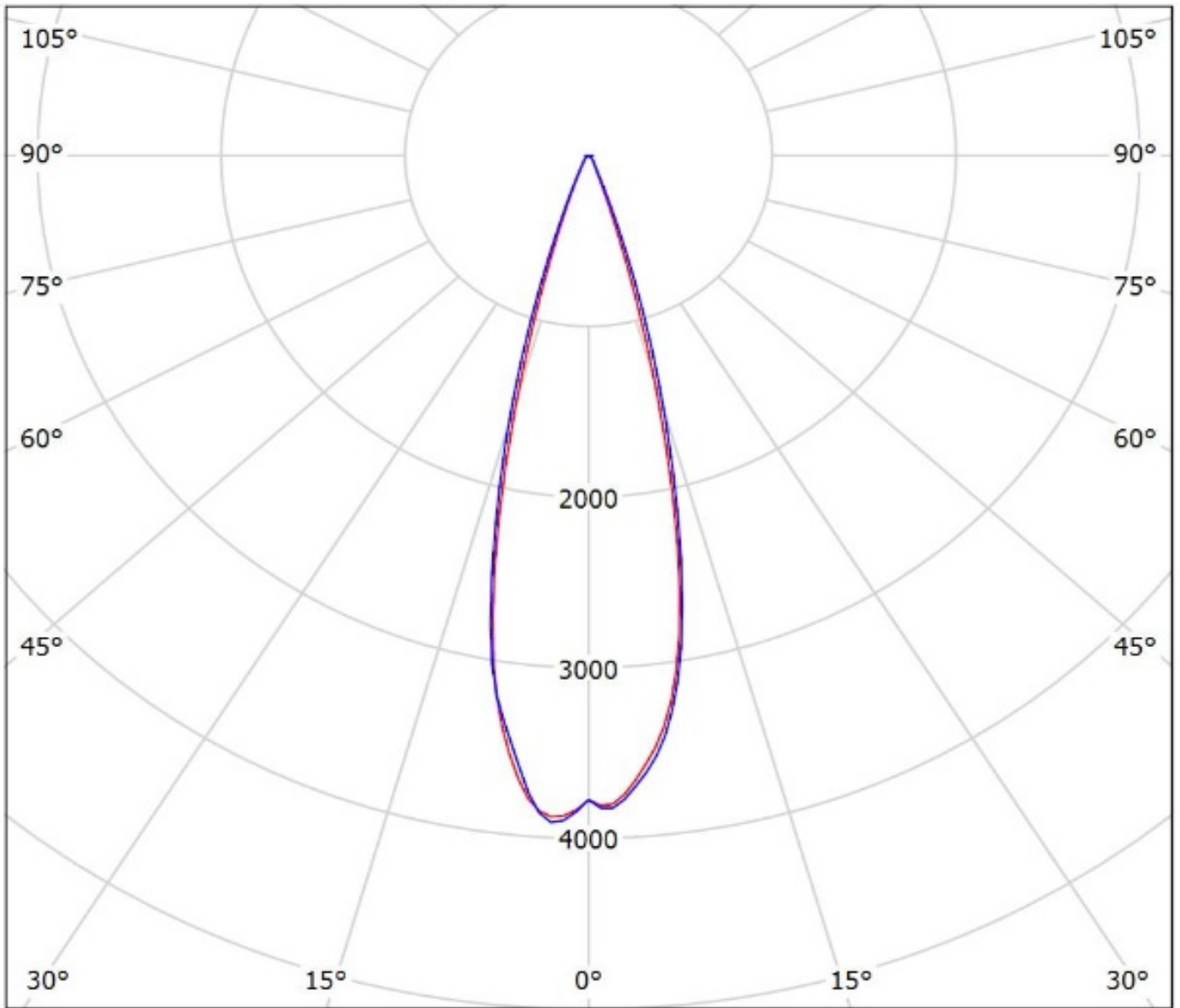
1

1

Luminaire: Ledil Oy CA11138_LC2-M_(XR-E)_SIMULATED
Lamps: 1 x Cree XR-E



Luminaire: Ledil Oy CA11138_LC2-M_(XR-E)_SIMULATED
Lamps: 1 x Cree XR-E



cd/klm

— C0 - C180 — C90 - C270

$\eta = 93\%$

NOTE: The typical divergence will be changed by different color, chip size and chip position tolerance. The typical total divergence is the full angle measured where the luminous intensity is half of the peak value.