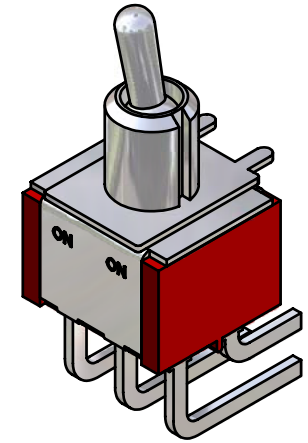
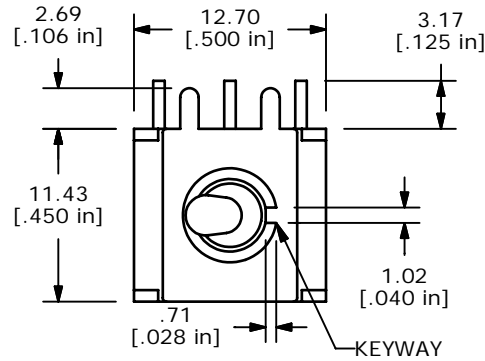
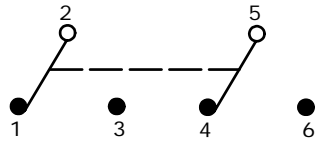


PC MOUNTING



ISOMETRIC

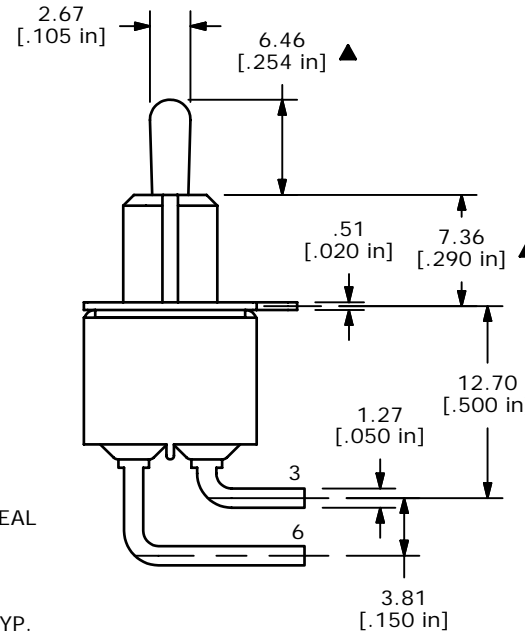
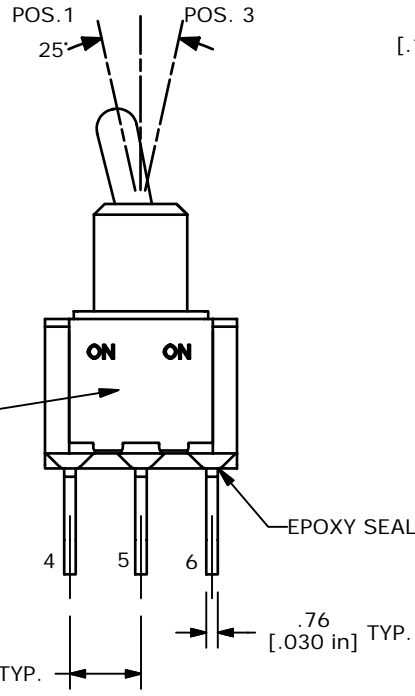
| SWITCH FUNCTION | | |
|-----------------|--------|----------|
| POS. 1 | POS. 2 | POS. 3 |
| | | |
| ON | NONE | ON |
| 2-3, 5-6 | N/A | 2-1, 5-4 |



CIRCUIT: DPDT

NOTE:

1. ALL DIMENSIONS IN MM [INCH]
2. GENERAL TOLERANCE: X.X=±0.4
X.XX=±0.25
3. TERMINAL NUMBERS FOR REF ONLY
- ▲4. PLATING MATERIAL: SILVER
5. RATING: 5 AMPS W/RESISTIVE LOAD @ 120VAC OR 28VDC
2 AMPS W/RESISTIVE LOAD @ 250VAC
6. ELECTRIC LIFE: 40,000 make-and-break cycles at full load.
7. INSULATION RESISTANCE: 1,000 Mega-ohm min.
8. DIELECTRIC STRENGTH: 1,000 V RMS @sea level.
9. OPERATING TEMP.: -30°C to 85°C
10. ▲ DENOTES CRITICAL PARAMETER.



| | | | | |
|-----|--------|-----------------------|---------|----|
| G | 15989 | UPDATED ACTUATOR POS. | 4/26/06 | CT |
| F | 15233 | CHANGES NOTED WITH | 9/1/05 | PH |
| E | 15200 | CHANGES NOTED WITH | 8/25/05 | PH |
| D | 14611 | REVISED AND REDRAWN | 1/7/05 | AR |
| REV | PCR NO | DESCRIPTION | DATE | BY |

E-SWITCH®

TITLE 100DP1T2B4M6QE

| | | | | |
|-------|-----------|----|---------|-----|
| SCALE | DATE | DR | DWG | REV |
| 2:1 | 5/21/1998 | AR | T121043 | G |